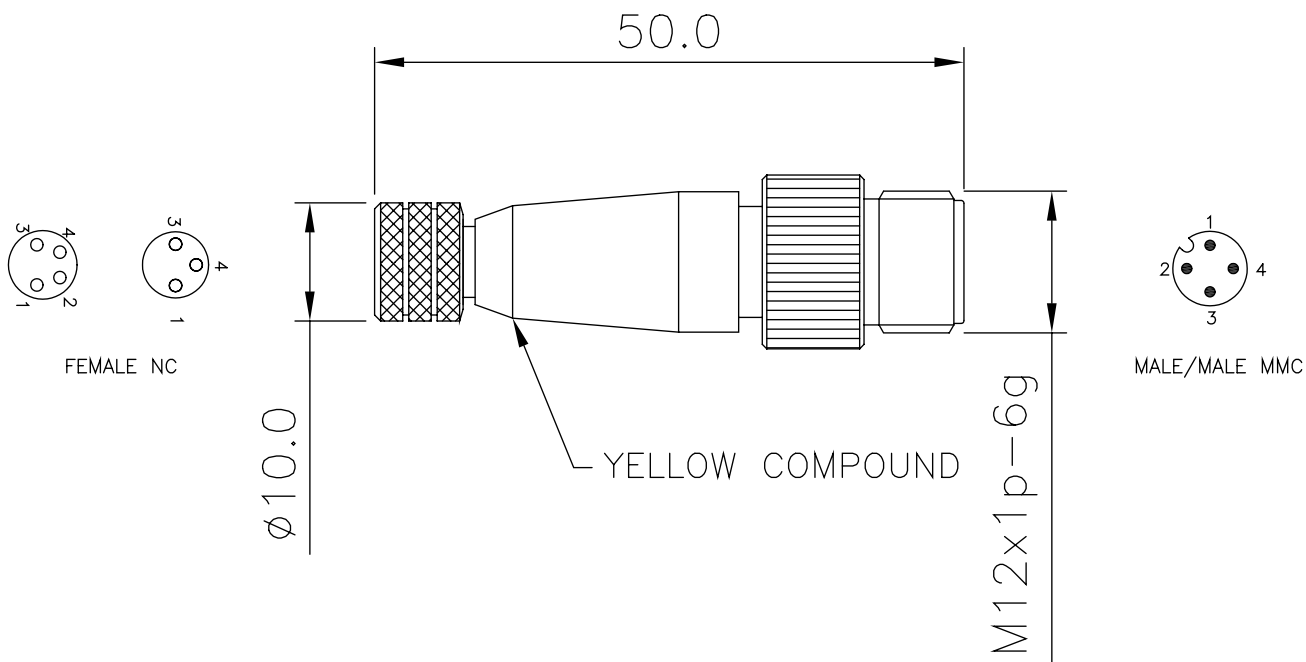
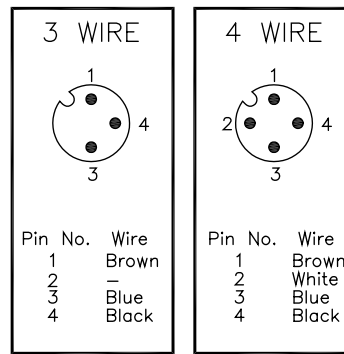
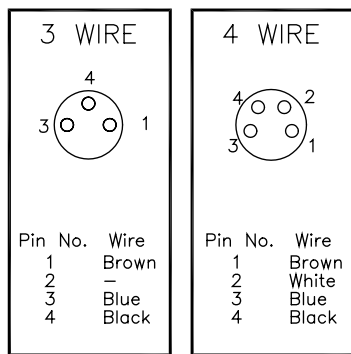


# MICRO-CHANGE (M12) ADAPTOR

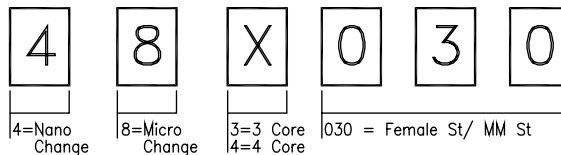


FEMALE NC

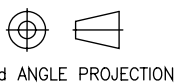
MALE/MALE MMC



## PART No MATRIX



Modifications must be carried out using CAD System



FOR EXPLANATION OF DIMENSIONS, TOLERANCES NOTES etc. SEE BS308

**Woodhead Connectivity Ltd**  
FACTORY 9 RASSAU IND. EST. EBBW VALE GWENT NP23 5SD

THIS DRAWING IS THE PROPERTY OF WOODHEAD CONNECTIVITY LTD. THE INFORMATION CONTAINED IS CONFIDENTIAL AND MUST NOT BE DISCLOSED

DRAWN	J.Wright	REV.
DATE	23.02.00	A

A4