

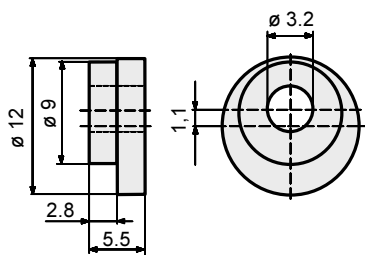
Mounting aids: overview

Rotary encoder	Mounting aid
TRD-J	angle 9250 adaptor 9249 eccentric clamping element 9312
Series10, Series 58	angle flange 9203 angle flange, movable, 9213 eccentric clamping element 9310 mounting bell 9300
TRD-G / -GK / -AK	angle flange 9278 eccentric clamping element 9312
Series 30	angle flange 9301
Series 85	spring sheet metal 9405

Eccentric clamping elements

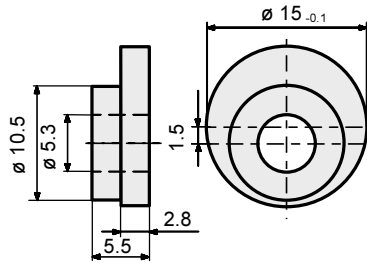
9310

(for Series 10 and Series 58)



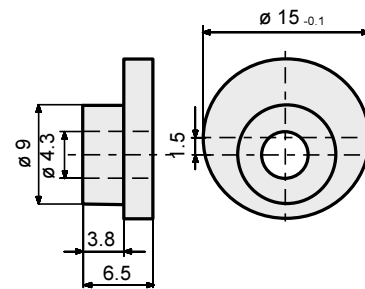
9312

(for TRD-J / G / GK / AK)



9313

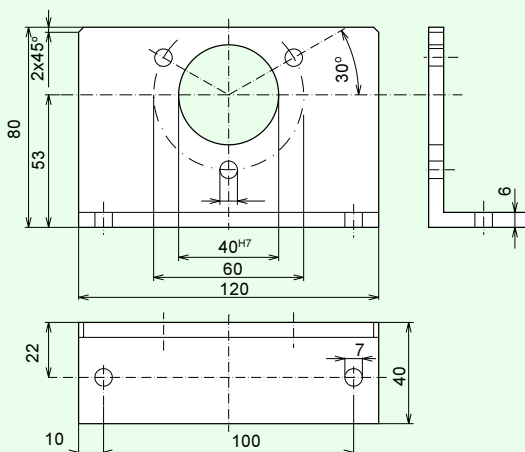
(for TRD-J with adaptor 9249)



Angle flanges

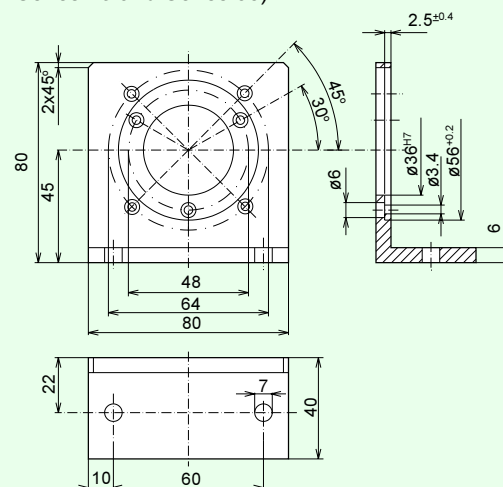
9301

(for Series 30)



9203

(for Series 10 and Series 58)



Date of issue 30.01.1998