

Miniature Type 2400



- High performance at a competitive price
- IP 64
- Wide temperature range (-20 ... +85 °C)
- Chromated housing is resistant to cooling lubricants and other environmental influences
- Sturdy cable outlet with multiple clamping
- Temperature compensation
- Broad input voltage range (5 ... 24 V or 8 ... 30 V)
- Highly flexible cable withstands constant flexing from 0 °C ... 70 °C)
- Low power consumption despite high scanning rate
- Reverse connection protected and Short-circuit proof
- **Kübler encoder type 24xx meet German Railways standard EN 50121****

Mechanical characteristics:

Speed:	max. 12 000min ⁻¹
Rotor moment of inertia:	appr. 0,1 x 10 ⁻⁶ kgm ²
Starting torque:	<0,001 Nm
Radial load capacity of shaft:	10 N
Axial load capacity of shaft:	20 N
Weight:	appr. 0,06 kg
Protection acc. to EN 60529:	IP 64
Working temperature:	-20° C ... +85 °C
Operating temperature:	-20° C ... +90 °C
Shaft	stainless steel
Shock resistance acc. to DIN-IEC 68-2-27	1000 m/s ² , 6 ms
Vibration resistance acc. to DIN-IEC 68-2-6:	100 m/s ² , 55 ... 2000 Hz

Electrical characteristics:

Output circuit:	Push-pull	Push-pull
Supply voltage:	5 ... 24 V DC	8 ... 30 V DC
Power consumption (no load):	max. 50 mA	max. 50 mA
Permissible load/channel:	max. 50 mA	max. 50 mA
Pulse frequency:	max. 160 kHz	max. 160 kHz
Signal level high:	min. U _B -2,5 V	min. U _B -3 V
Signal level low:	max. 0,5 V	max. 2,5 V
Rise time t _r :	max. 1 µs	max. 1 µs
Fall time t _f :	max. 1 µs	max. 1 µs
Short circuit proof outputs:	yes	yes
Conforms to CE requirements acc. to EN 61000-6-1, EN 61000-6-4 and EN 61000-6-3		

Applications:

- Pick and place machines
- Handling machines for electronic components
- Quality testing machines
- Medical machines
- Mail opening and mail stuffing machines
- Check weighers
- Labeling machines
- Mole machines (camera control)

Pulse rates available at short notice:

10, 25, 36, **50**, 60, **100**, 125, 180, **200**, 250, **360**, **500**, 512, **1000**, **1024**, 1080

** Kübler encoder type 24xx meets German Railways standard

An independent test laboratory (TTI-P-G115/96-01) approved by the German Accreditation Council (DAR) certified the compliance with the railway standard, according to EN 50121.

We will gladly send you a copy of the test report on request. When ordering an encoder to the railway standard, please be sure to state this explicitly on the order.



Miniature Type 2400

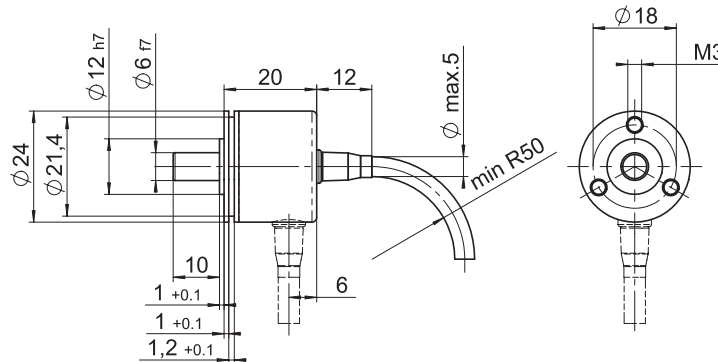
Terminal assignment

Signal:	0V	+U _B	A	\bar{A}	B	\bar{B}	0	$\bar{0}$	
Colour:	WH	BN	GN	YE	GY	PK	BU	RD	
without inverted signal:	WH	BN	GN		YE		GY		

Isolate unused outputs before initial start-up

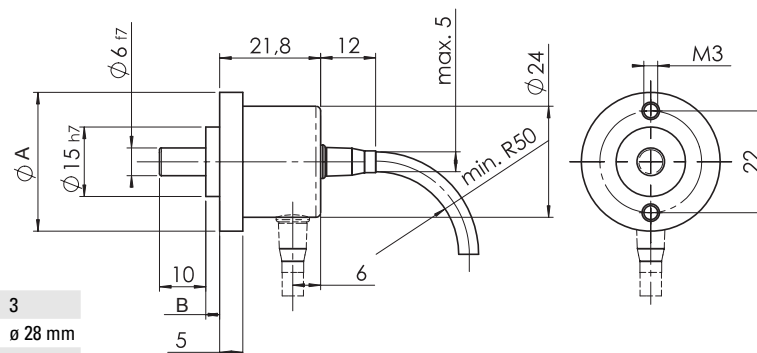
Dimensions:

Flange type 1 (Ø 24 mm)



Flange type 2 (Ø 30 mm)

Flange type 3 (Ø 28 mm)



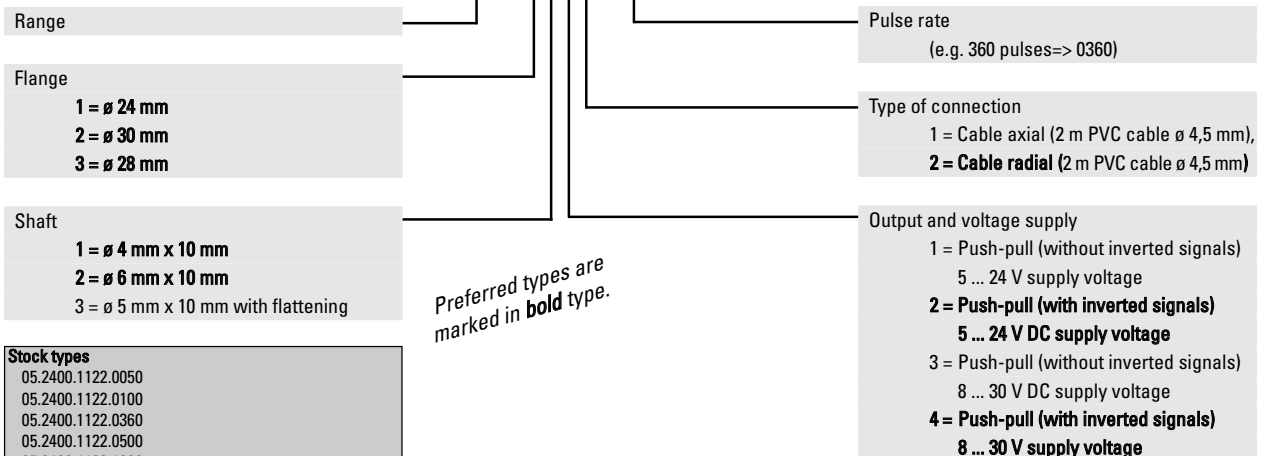
Flange type	2	3
A	Ø 30 mm	Ø 28 mm
B	3 mm	2 mm

Mounting advice:

Do not connect encoder and drive rigidly to one another at shafts and flanges! We recommend the use of suitable couplings (see chapter Accessories).

Order code:

05.2400.XXXX.XXXX



Stock types
05.2400.1122.0050
05.2400.1122.0100
05.2400.1122.0360
05.2400.1122.0500
05.2400.1122.1000
05.2400.1122.1024
05.2400.3321.1000
05.2400.3341.1000
05.2400.3331.0500
05.2400.3331.1000