



## AdaptaHorn® Panel Mount Vibrating Horn

**NEMA Type 4X**

**870P & 871P Series**

### FEATURES

- > PLC compatible models
- > Corrosion resistant finish
- > Volume adjustable
- > Completely assembled
- > NEMA Type 4X rated

### AGENCY APPROVALS

- > UL Listed

### SPECIFICATIONS

- > Operating range: -20% to +10% of nominal voltage
- > Heavy duty die-cast housing
- > 18" (457mm) wire with molex connector

#### 870P AC Series

- > Adjustable output: 78 to 103 dB
- > 400 hour rating at 50% duty cycle

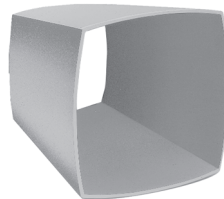
#### 871P DC Series

- > Adjustable output: 78 to 101 dB
- > 200 hour rating

The Edwards 870P AC & 871P DC Series are low-current, high decibel panel mount vibrating horns for heavy-duty use. Supplied complete with gasket and UL listed to NEMA 4X enclosure requirements.

Designed for semi-flush panel mounting, using supplied mounting template, or installation on a 4" (102mm) square box. For NEMA 4X installation, mount to a NEMA 4X enclosure having a flat, smooth surface using supplied 1/8" (3mm) gasket in accordance with the installation instructions provided with the unit.

Applications include use in panel boards and switchboards wherever a distinctive, urgent signal is required for timing, general alarm & warning.



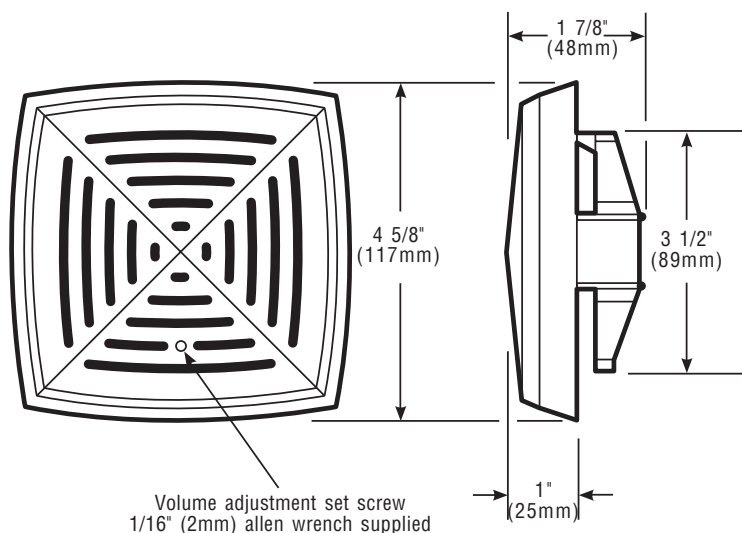
#### 872-PO Plastic Projector AdaptaHorn Accessory

Plastic projector snaps onto any AdaptaHorn. Available as separate item.

D-04



## TECHNICAL INFORMATION



Cat. No.	Volts	Amps	V A	DC coil Res. (Ohms)	dB at 10 Ft.
<b>870P-E5</b>	12V AC	1.25	15.0	1.5	103
<b>870P-G5</b>	24V AC	0.63	15.1	5.2	
<b>870P-N5</b>	120V AC	0.13	15.6	150	
<b>870P-R5</b>	240V AC	0.07	16.8	580	
<b>871P-C1</b>	6V DC	0.7	4.2	1.4	101
<b>871P-E1</b>	12V DC	0.27	3.2	6	
<b>871P-G1</b>	24V DC	0.16	3.8	24	
<b>871P-J1</b>	32V DC	0.11	3.52	40	
<b>871P-P1</b>	125V DC	0.025	3.1	600	
<b>871P-S1</b>	250V DC	0.014	3.5	2640	

## PLC COMPATIBILITY - SIGNAL INPUT LOAD CHARACTERISTICS\*

Cat. No.	Operating voltage Volts	Max. off state leakage current mA	Continuous on current mA	Surge (inrush/duration) Amps/milliseconds
<b>870P-N5</b>	120V AC	25	120	1.02/.000026
<b>871P-G1</b>	24V DC	25	150	1.7/.000042

\*This device is PLC compatible and may be operated by PLCs with output characteristics that match the input load requirements of this signal.

Electromechanical devices can produce transient spikes and should only be used on PLC output cards that have inherent transient spike suppression. Consult the PLC manufacturer prior to connecting 24V DC electromechanical devices to PLCs.