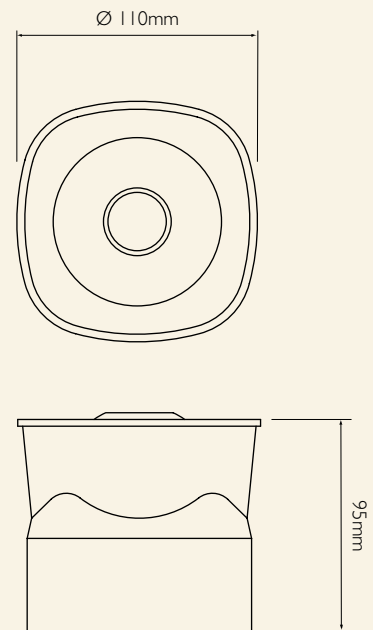


SYMPHONI HO HIGH OUTPUT



Where a very loud sounder is needed the Symphoni High Output will provide the answer. Producing levels of up to 120dB(A) this sounder can be used in open areas or in situations having more than normal background noise levels. Although a high power design the unit is very efficient and offers relatively low current consumption.

- VERY HIGH OUTPUT
- AUTOMATIC SYNCHRONISATION
- SWITCH SELECTABLE TONES
- VOLUME CONTROL
- SECOND TONE FOR TWO STAGE ALARMS
- LOCKABLE BASE

Specification

Voltage	9 - 28Vdc
Current	240mA at 24Vdc
Sound Output	114dB(A) at 24Vdc (tone 3) 120 dB(A) at 24Vdc (tone 6)
Temperature	- 25°C to + 55°C
Construction	ABS
IP Rating	IP42
Weight	0.58Kg
Tones	32
Colours	Red or White