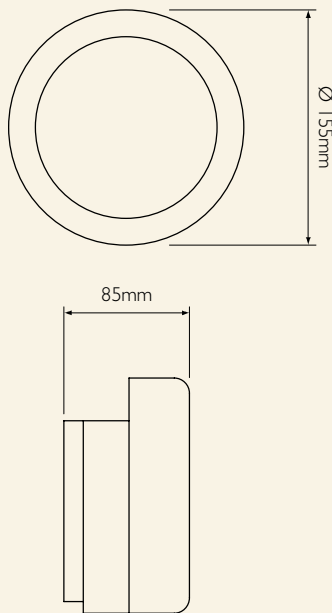


ELECTRONIC 230 VOLT ELECTRONIC SOLENOID



Specification

Voltage	200 - 230Vac
Current Consumption	25mA @ 230Vac
Sound Output	93 - 95dB(A) @ 240Vdc
Temperature	- 10°C to + 55°C
Construction	Gong - Steel Base - Polycarbonate
IP Rating	Indoor Version - IP41 Outdoor Version - IP55
Weight	1.2Kg
Colours	Gong - Red or Grey

A unique, patented alarm bell designed for use in fire, security and other signalling systems. The combination of a miniature solenoid with an integrated control circuit allows excellent sound coverage, minimum current consumption and increased reliability. The improved aesthetics make the bell suitable for all applications including the most prestigious locations.

- 155mm (6") GONG
- HIGH SOUND OUTPUT
- LOW CURRENT CONSUMPTION
- GONG LOCKING FACILITY
- SIMPLE INSTALLATION
- NO BACKBOX REQUIRED FOR SURFACE WIRING
- WEATHERPROOF VERSION AVAILABLE