
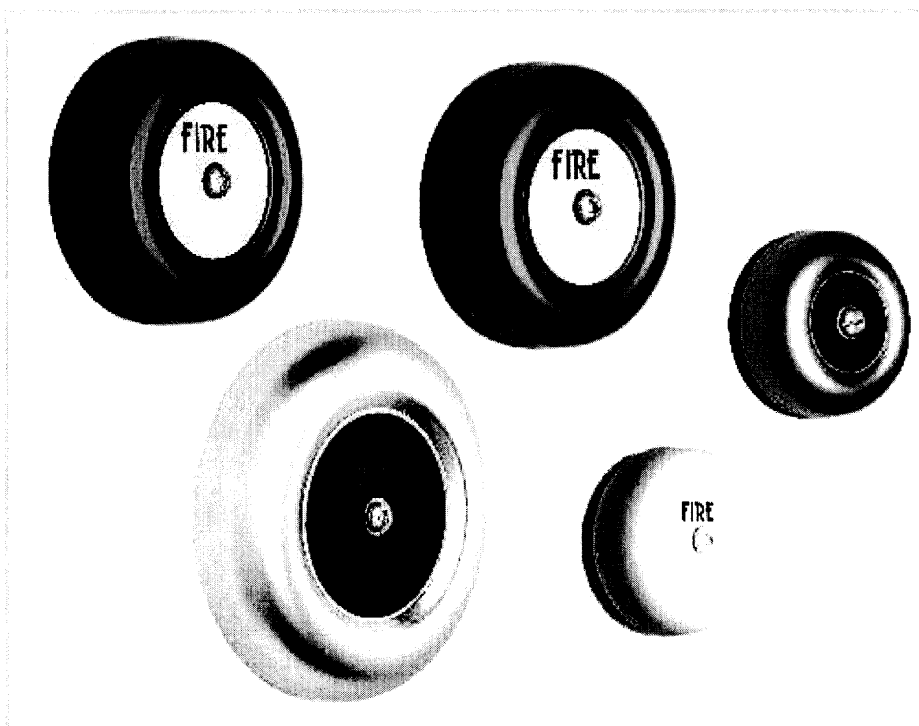


**Fulleon**
 [Back to Contents](#)
**DATASHEETS**

## Motorised & Solenoid Bells



### Motorised & Solenoid Bells

Combining good styling with functional efficiency, a range of motorised and traditional solenoid bells suitable for most fire alarm and security applications. The C. F. range of motorised bells incorporate a highly efficient rotary centrifugal movement combining high sound output with low current consumption, especially for the 24 volt versions.

Available with a choice of 4", 6" or 8" gongs to suit a wide range of installation requirements, the 4" bell is ideal for use in hotel bedrooms where a sound level of 75dB(A) is required at the bedhead.

The solenoid bells incorporate a traditional interrupted solenoid movement giving a high sound output and are suitable for external use when fitted with a weatherproof gasket box.

All bells have centre gong disc which can be customised by printing a company name or logo.

- **WIDE RANGE OF VOLTAGES AND GONG DIAMETERS**
- **LOW CURRENT CONSUMPTION ON 24V MOTORISED BELLS**
- **OPTION OF CUSTOMISED DISCS PRINTED WITH COMPANY NAME AND LOGO**
- **TERMINALS WILL ACCEPT 2.5 MM<sup>2</sup> CABLES**
- **SIMPLE INSTALLATION VIA MULTI FIXING BASE PLATE FOR ALL TYPES OF**

**LOCATION**

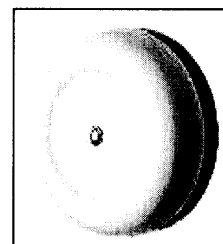
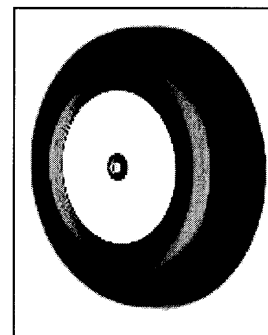
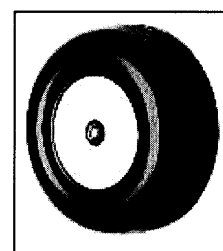
- ☼ **RANGE OF GONG FINISHES AVAILABLE**
- ☼ **4" DIAMETER MOTORISED BELL IDEAL FOR BEDHEAD INSTALLATION**

**Motorised & Solenoid Bell Specifications**

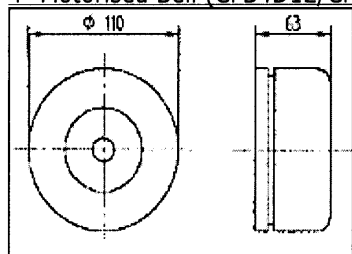
Motorised and solenoid bells have been designed for ease of installation with a multifixing baseplate for all types of location, and terminal blocks that will accept 2.5mm<sup>2</sup> cables.

Where an external weatherproof bell is required a solenoid bell with a weatherproof gasket box must be used.

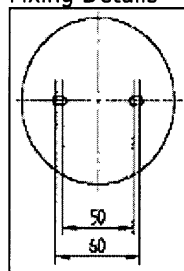
The centre disc of the bells can be customised by printing with your own logo and company name.



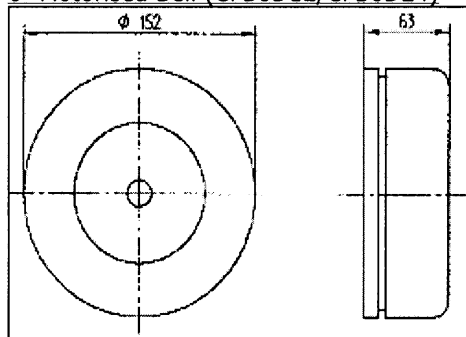
**4" Motorised Bell (CFB4D12/CFB4D24)**



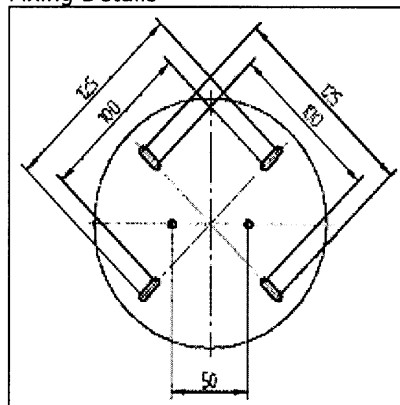
**Fixing Details**



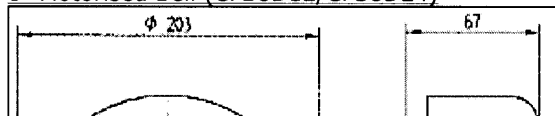
**6" Motorised Bell (CFB6D12/CFB6D24)**



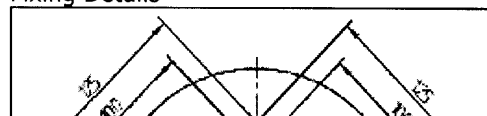
**Fixing Details**

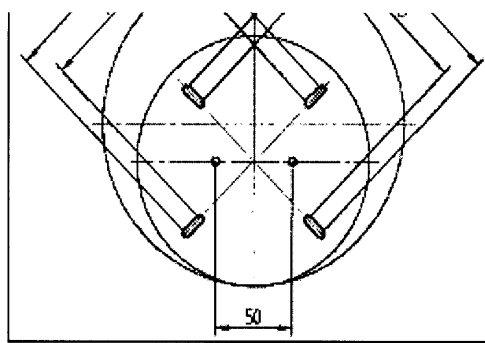
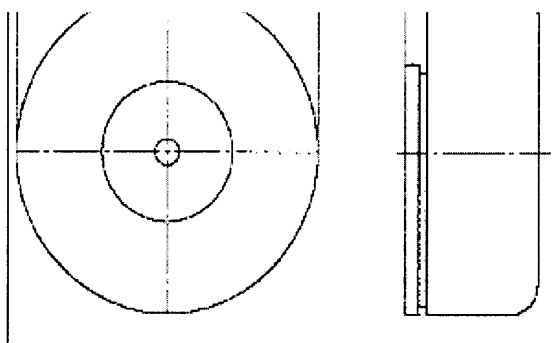


**8" Motorised Bell (CFB8D12/CFB8D24)**

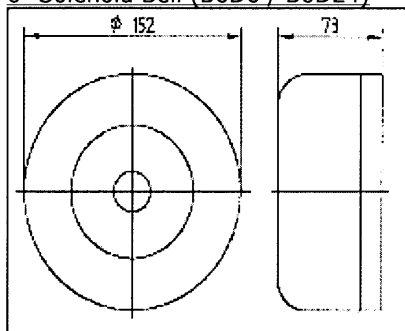


**Fixing Details**

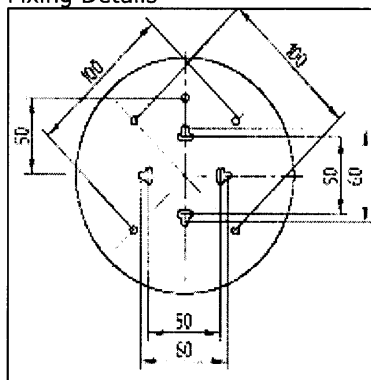




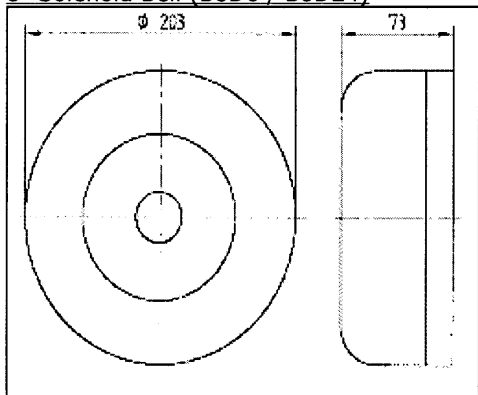
6" Solenoid Bell (B6D6 / B6D24)



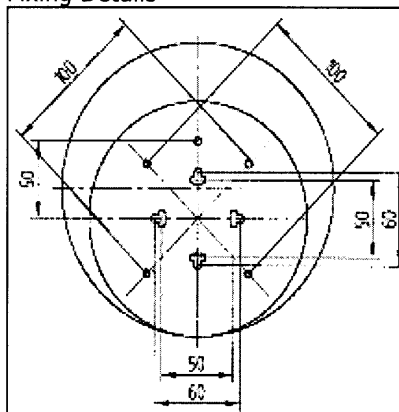
Fixing Details



8" Solenoid Bell (B8D6 / B8D24)



Fixing Details



Model No.	CFB4D12	CFB4D24	CFB6D12	CFB6D24	CFB8D12	CFB8D24	B6D6	B6D24	B8D6	B8D24
Gong Size	4" (102mm) dia.		6" (152mm) dia.		8" (203mm) dia.		6" (152mm) dia.		8" (203mm) dia.	
Nominal Voltage	12V DC	24V DC	12V DC	24V DC	12V DC	24V DC	6V DC	24V DC	6V DC	24V DC
Voltage Range	8-16V DC	18-30V DC	8-16V DC	18-30V DC	8-16V DC	18-30V DC	6-12V DC	24-48V DC	6-12V DC	24-48V DC
Nominal Current at Nominal V	100mA	20mA	100mA	25mA	110mA	28mA	200mA	55mA	200mA	55mA
Nominal Output	84dB(A) @ 1 metre		93/95dB(A) @ 1 metre		95/97dB(A) @ 1 metre		100dB(A) @ 1 metre		102dB(A) @ 1 metre	
Movement	Motor, Pinion and Striker						Interrupted Solenoid			
Movement Features	DC Motor; acetal gear wheel; steel striker						Rugged solenoid; silver contacts			

Features										
Gong	Steel, secured with philips head screw						Steel, secured with hex. socket screw			
Gong Finish	Etch primed, stove enamelled Red or Black as standard									
Baseplate	Moulded black polycarbonate						Steel zinc plated / moulded polycarbonate			
Baseplate Mounting	Direct to wall or conduit box									
Terminals	Two in. two out						Two			
Monitoring	-	two series diodes	-	two series diodes	-	two series diodes	-	two series diodes	-	two series diodes
Weight	0.45kg	0.45kg	0.85kg	0.85kg	1.7kg	1.7kg	1.4kg	1.4kg	2.1kg	2.1kg
Extras	Pattress to accept surface wiring						Pattress to accept surface wiring Weatherproof gasket box			

Issue 1/01

We reserve the right to change, without prior notice, the specification of these products from that detailed on this page.  
Data shown is typical for operation under normal ambient conditions.

**FULLEON LTD**

Llantarnam Park, Cwmbran, Gwent NP44 3AW.  
Tel: +44 (0) 1633 872131 Fax: +44 (0) 1633 866346  
E-mail: [sales@fulleon.co.uk](mailto:sales@fulleon.co.uk) URL:  
<http://www.fulleon.co.uk>



◀ Back to Contents