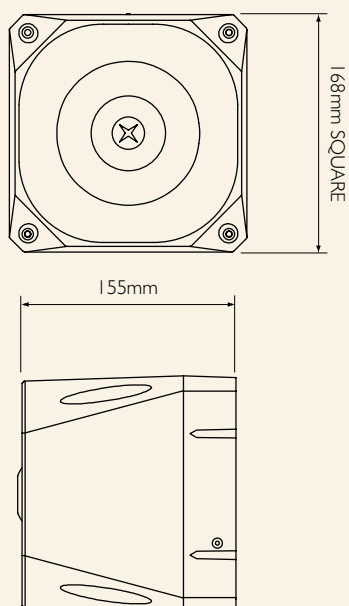


## ASSERTA 230 VOLT HIGH OUTPUT SOUNDER



### Specification

|              |                                    |
|--------------|------------------------------------|
| Voltage      | 115 to 230Vac                      |
| Current      | 110dB(A) = 35mA    120dB(A) = 70mA |
| Output @ 1m  | 110dB(A)    120dB(A)               |
| Tones        | 42                                 |
| Alarm Stages | 3                                  |
| Temperature  | - 20°C to + 70°C                   |
| Construction | PB/ABS                             |
| IP Rating    | IP66                               |
| Weight       | 2Kg                                |
| Colour       | Red or Grey                        |

The Asserta industrial warning sounder is designed to cope with harsh environments requiring protection to IP66. Design features are incorporated to ensure safer and easier installation, while providing flexibility with fewer product variants.

- OPERATING FROM 115Vac OR 230Vac
- 110dB(A) OR 120dB(A) OUTPUT VERSION AVAILABLE
- IP66 PROTECTION
- SIMPLE FIRST & SECOND STAGE INSTALLATION
- 42 ALARM TONES
- 3 STAGE ALARM
- SOUNDER TIME OUT - USER ADJUSTABLE
- OPTIONAL SWIVEL MOUNT BRACKET