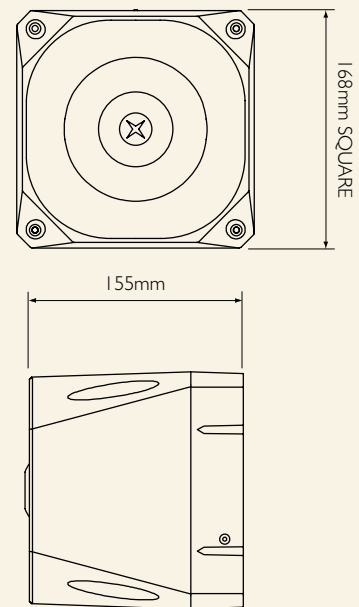
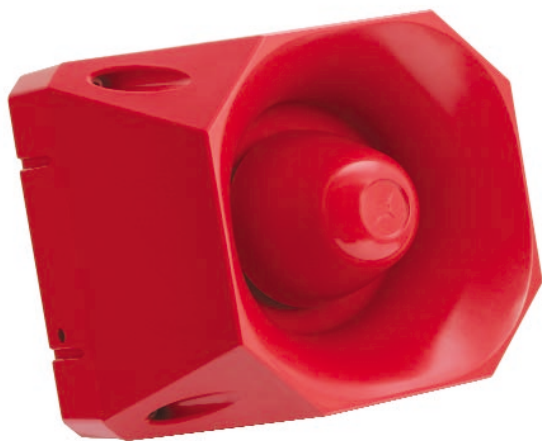


ASSERTA 24 VOLT HIGH OUTPUT SOUNDER



The Asserta warning sounder is designed to cope with harsh environments requiring protection to IP66. Design features are incorporated to ensure safer and easier installation, while providing flexibility with fewer product variants.

- 110dB(A) OR 120dB(A) OUTPUT VERSION AVAILABLE
- IP66 PROTECTION
- SIMPLE FIRST & SECOND FIX INSTALLATION
- 42 ALARM TONES
- 3 STAGE ALARM
- SOUNDER TIME OUT - USER ADJUSTABLE
- OPTIONAL SWIVEL MOUNT BRACKET

Specification

Voltage	18 to 30Vdc
Current	110dB(A) = 120mA 120dB(A) = 450mA
Output @ 1m	110dB(A) 120dB(A)
Tones	42
Alarm Stages	3
Temperature	- 20°C to + 70°C
Construction	ABS
IP Rating	IP66
Weight	1.6Kg
Colour	Red or Grey