



## Mini Mono P and Mini Mono V

- High quality siren sound
- Bayonet mounting plate for ease of installation
- Choice of voltages
- Choice of horizontal (Mini Mono P) or vertical (Mini Mono V) mounting arrangement
- Low voltage DC and high voltage AC for use in all applications

The Mini Mono P is a small siren designed for fire and general alarm signalling.

Designed for ease of mounting, it has a separate mounting plate which connects to the main body with a bayonet locking action and has a locking screw for additional security.

The mounting plate is suitable for surface mounting or for use with a conduit (BESA) box depending on installation requirements.

A vertically mounting version (Mini Mono V) is also available and is fitted with a protective cover.

## Applications

- Fire alarm
- General purpose alarm
- Process control
- Time signalling

**Fire** ✓

**Security** ✓

**Industrial** ✓

**Railway/Marine** ✗

**Hazardous Area** ✗

**Public Warning** ✗

# Klaxon

The first name in signals

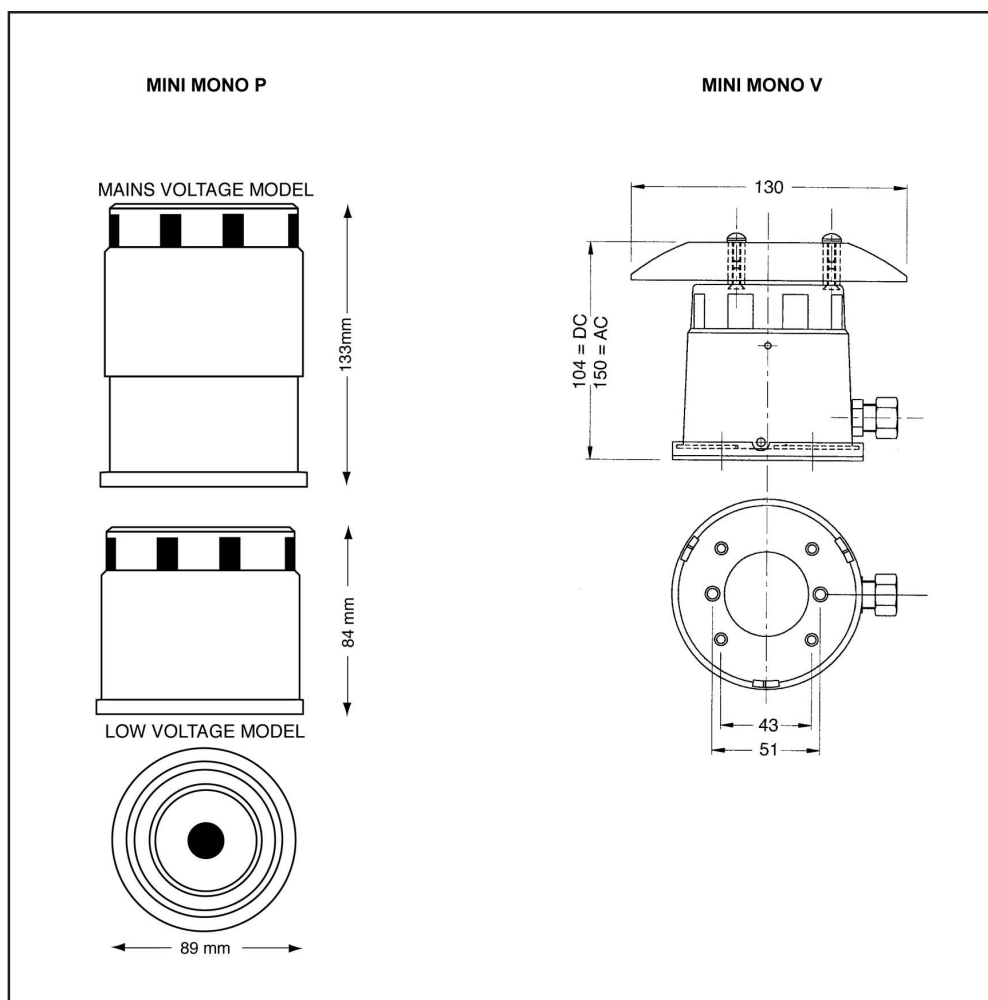
## Klaxon Signals Ltd.

Wrigley Street, Oldham, Lancashire, OL4 1HW, UK.

Tel: +44 (0)161 287 5555 Fax: +44 (0)161 287 5511

E-mail: [sales@klaxonsignals.com](mailto:sales@klaxonsignals.com) Web: [www.klaxonsignals.com](http://www.klaxonsignals.com)

A  
HALMA GROUP  
COMPANY



Part No.	Colours	Audibility at 1m	Tones	Voltage	Current
<b>Mini Mono P</b>					
18-980224	Grey	103dB (A) ±3dB	1	12V DC	1A
18-980226	Grey	103dB (A) ±3dB	1	24V DC	0.5A
18-980228	Grey	100dB (A) ±3dB	1	110/230V AC	0.13/0.085A
<b>Mini Mono V</b>					
18-980235	Grey	103dB (A) ±3dB	1	12V DC	1A
18-980234	Grey	103dB (A) ±3dB	1	24V DC	0.5A
18-980236	Grey	100dB (A) ±3dB	1	110/230V AC	0.13/0.085A

**IP Rating:** IP44  
**Rating:** Continuous  
**Frequency:** 1000Hz  
**Operating temp:** -30°C to +80°C  
**Construction:** High impact ABS plastic  
**Cable Entries:** 1  
**Colours:** Grey  
**Weight:** Mini Mono P (DC): 0.2kg; Mini Mono P (AC): 0.5kg  
 Mini Mono V (DC): 0.3kg; Mini Mono V (AC): 0.6kg