



## P40 and P60 Buzzers

- High sound output
- Wide voltage range
- Choice of continuous or pulsed signals
- Compact designs for installation in all locations

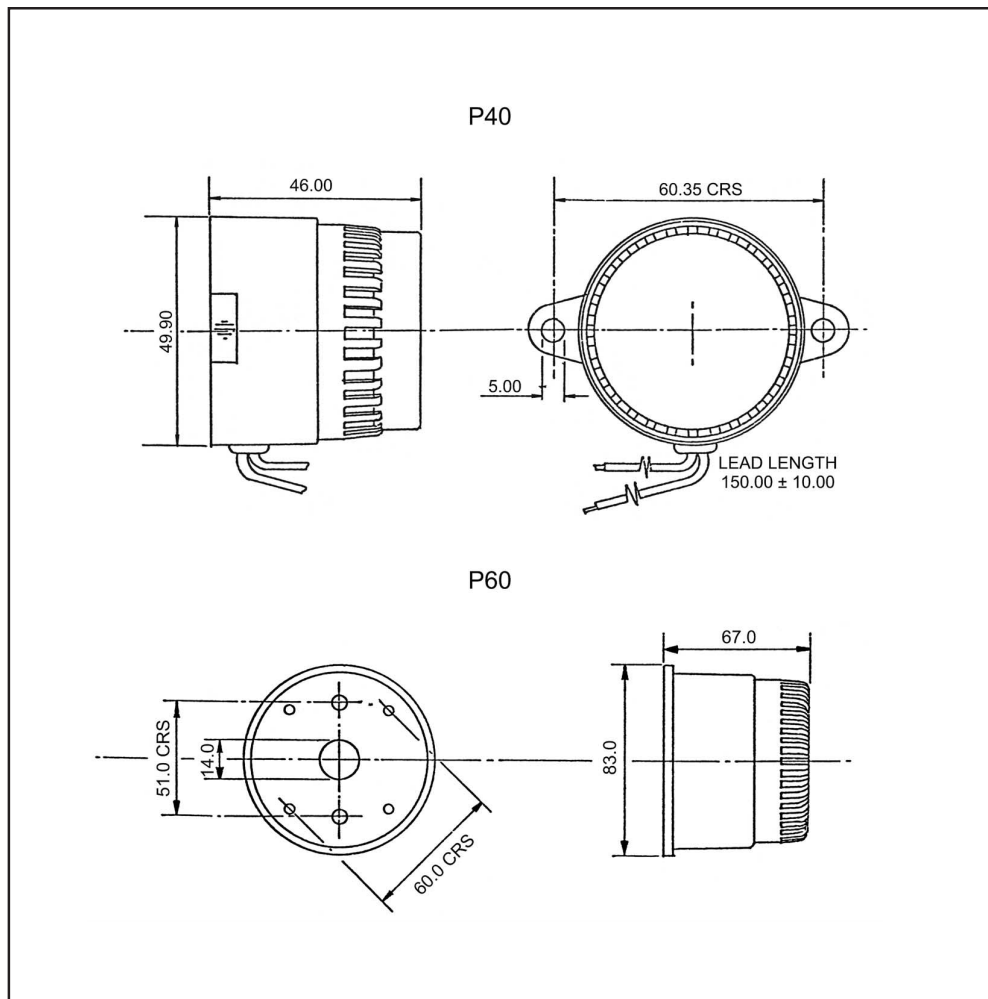
The P40 and P60 Buzzers are high output buzzers designed for warning in security, fire, automotive and industrial signalling.

With a choice of two signals (continuous or pulsed) from each unit, they are ideal for use as panel warning sounders where an additional signal may be required.

### Applications

- Process control alarm
- Panel alarm in automotive and aerospace applications
- Moving machinery alarm

<b>Fire</b> ✓	<b>Industrial</b> ✓	<b>Hazardous Area</b> ✗
<b>Security</b> ✓	<b>Railway/Marine</b> ✓	<b>Public Warning</b> ✗



Part No.	Colours	Audibility at 1m	Tones	Voltage	Current
17-970040	White	95dB (A) ±3db	2	12/24V DC	40mA
17-970041	White	100dB (A) ±3db	2	12/24V DC	47mA

**IP Rating:** IP30  
**Rating:** Continuous  
**Frequency:** 3200Hz  
**Operating temp:** -20°C to +60°C  
**Construction:** ABS  
**Cable Entries:** Flying lead  
**Weight:** P40: 57g; P60: 94g