



Adaptatone® Millennium Multiple Tone Signal

**Single Output
RS485 Activation**

5530M & 5530MV Series

FEATURES

- > 27 tone capability - No additional tone modules needed
- > PLC compatible
- > Output up to 110 dB
- > Suitable for Division 2 Locations
- > Captive components
- > RS485 models

AGENCY APPROVALS

- > NEMA Type 3R
- > UL 464 and 1604 Listed
- > UL Listed for indoor and outdoor applications in Class I, Division 2, Groups A, B, C & D; Class II, Division 2, Groups F & G; and Class III Hazardous Locations
- > cUL C22.2 No. 205 (24AQ, 24N5 & 24Y6 models)
- > CE Marked, LV & EMC Directives, (24Y6 AC & 24AQ models)

SPECIFICATIONS

- > Speaker can be rotated and locked in any horizontal direction
- > 24V DC battery backup terminals provided

The Edwards 5530M Adaptatone Millennium is a heavy-duty industrial, tone-selectable, signaling device capable of producing volume-controlled, high-decibel tones. It uses a microprocessor circuit to create 27 distinctive tones, selected by setting a dip switch within the unit. For a complete listing of all 27 tones, see page 4-55. The Adaptatone Millennium can be activated from field-wired, normally open contacts, or from a 24VDC or 120VAC external voltage source such as an output of a PLC. PLC compatibility assures no additional loading resistors or relays are required to set up your Adaptatone.

Selected models are designed to serially connect to RS485 networks. The 5530MV-485Y6 additionally has a field recordable voice feature that allows activation of voice messages over the RS485 network. See connectivity and Activation section for more detail. Normally open contacts can be obtained from the Cat. No. 5538-4 and/or Cat. No. 5538-4R Adaptatone Signal Actuators. See pg. 4-49.

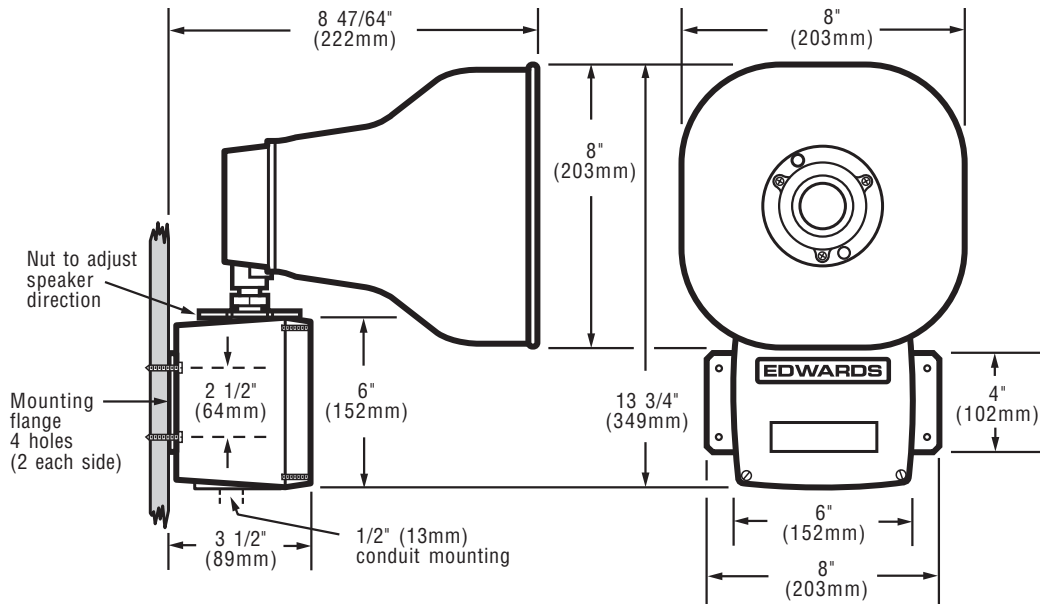
Designed for industrial applications requiring high decibel output and microprocessor reliability. Typical applications include emergency warning systems, plant evacuation and security intrusion alarms, process monitoring, shift start-and-dismissal horns, and paging signals.

½" (13mm) conduit or surface mounting. See Adaptatone Signaling Installation, page 4-56.

D-04



TECHNICAL INFORMATION



Cat. No.	Operating Voltage	Input Card Activation Voltage	Signal Off Standby Current (Amps)	Signal On Operating Current (Amps)
5530M-24AQ	24V DC	24VDC	0.10	0.64
	24V AC 50/60 Hz		0.10	1.22
5530M-24N5	120V AC 50/60 Hz	24VDC	0.10	0.28
5530M-120N5		120VAC	0.10	0.28
5530M-24Y6	120V AC 50/60 Hz	24VDC	0.10	0.24
5530M-120Y6	240V AC 50/60 Hz	120VAC	0.10	0.15
	125V DC		0.04	0.16
	250V DC		0.02	0.08
5530M-485Y6	120V AC 50/60 Hz	RS485	0.10	0.24
5530MV-485Y6 (voice model)	240V AC 50/60 Hz		0.10	0.15
	125V DC		0.04	0.16
	250V DC		0.02	0.08

SIGNAL INPUT LOAD CHARACTERISTICS* (PLC output to meet following product input parameters)

Cat. No.	Operating voltage	Max. off state leakage current (mA)	Continuous on current (mA)	Surge (inrush/duration) Amps/milliseconds
5530M-24AQ	24V DC only	2	740	8/4
5530M-24N5	120V 50/60 Hz	2	360	2.82/4
5530M-120N5	120V 50/60 Hz	5	380	2.82/4
24VDC Input Board	5V DC to 24V DC	2	6	—
120VAC Input Board	120VAC 50/60 Hz	5	13	—

*This device is PLC compatible and may be operated by PLCs with output characteristics that match the input load requirements of this signal.