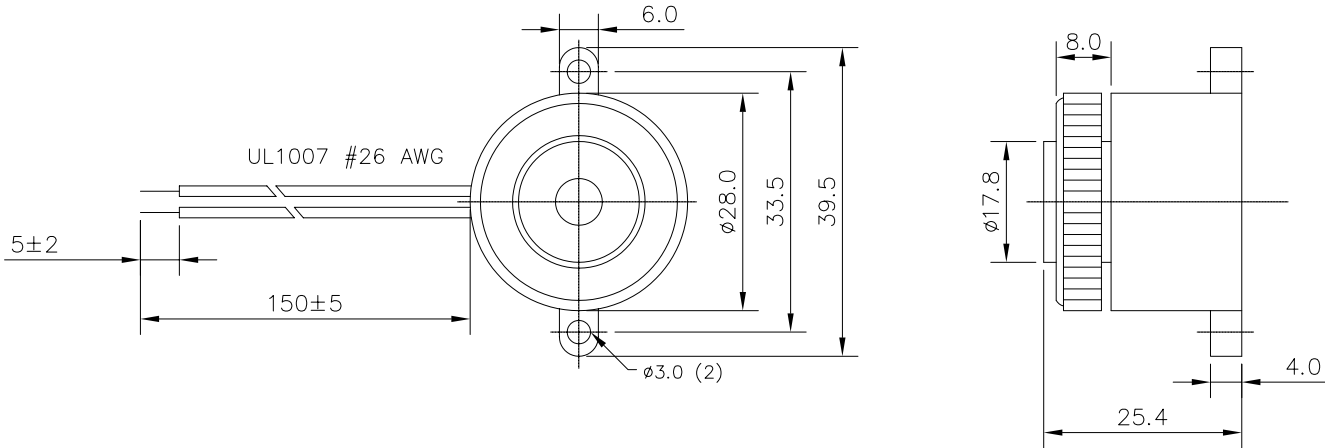


THIS DOCUMENT CONTAINS DATA PROPRIETARY TO PROJECTS UNLIMITED, INC. ANY USE OR REPRODUCTION, IN ANY FORM, WITHOUT PRIOR WRITTEN PERMISSION OF PROJECTS UNLIMITED, INC. IS PROHIBITED.
© 2003, Projects Unlimited Inc.

SPECIFICATIONS

PARAMETERS	VALUES	UNITS
RATED VOLTAGE	12	Vdc
OPERATING VOLTAGE RANGE	3 ~ 28	Vdc
RATED CURRENT (MAX)	10	mA
MINIMUM SPL @ 10 cm.	95	dB
RESONANT FREQUENCY	3,500±500	Hz
TONE OR PULSE RATE	CONTINUOUS	0 PULSE PER SECOND
OPERATING TEMPERATURE	-20 ~ +60	°C
STORAGE TEMPERATURE	-30 ~ +70	°C
HOUSING MATERIAL	ABS	-
TERMINAL MATERIAL	LEAD WIRE	-
WEIGHT	15	grams


REVISIONS			
LTR	DESCRIPTION	DATE	APPROVED
-	RELEASED FROM ENGINEERING	10/51/01	
A	REVISED TEMPLATE	5/7/04	R.W.
B	REVISED SPL & DIMENSIONS	1/28/05	R.W.



NOTES:

1. ALL DIMENSIONS ARE IN MILLIMETERS.
2. SPECIFICATION SUBJECT TO CHANGE OR WITHDRAWAL WITHOUT NOTICE.
3. WIRE COLOR CODE: RED (+), BLACK (-).

FILE NAME
XL-450.DWG

UNLESS OTHERWISE SPECIFIED: DIMENSIONS ARE IN MILLIMETERS. TOLERANCES ARE ±0.5 AND ANGLES ARE ±3°.		 projects® unlimited Dayton, Ohio							
<table border="1"> <thead> <tr> <th>APPROVALS</th> <th>DATE</th> </tr> </thead> <tbody> <tr> <td>DRAWN <i>RABL</i></td> <td>10/01</td> </tr> <tr> <td>APPROVED <i>S.J.</i></td> <td>6/02</td> </tr> </tbody> </table>		APPROVALS	DATE	DRAWN <i>RABL</i>	10/01	APPROVED <i>S.J.</i>	6/02	AUDIO INDICATOR XL-450	
APPROVALS	DATE								
DRAWN <i>RABL</i>	10/01								
APPROVED <i>S.J.</i>	6/02								
SIZE A	DRAWING NO. XL-450								
DO NOT SCALE DRAWING		SCALE: N.T.S.	SHEET 1 OF 1						