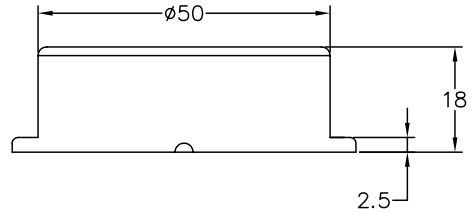
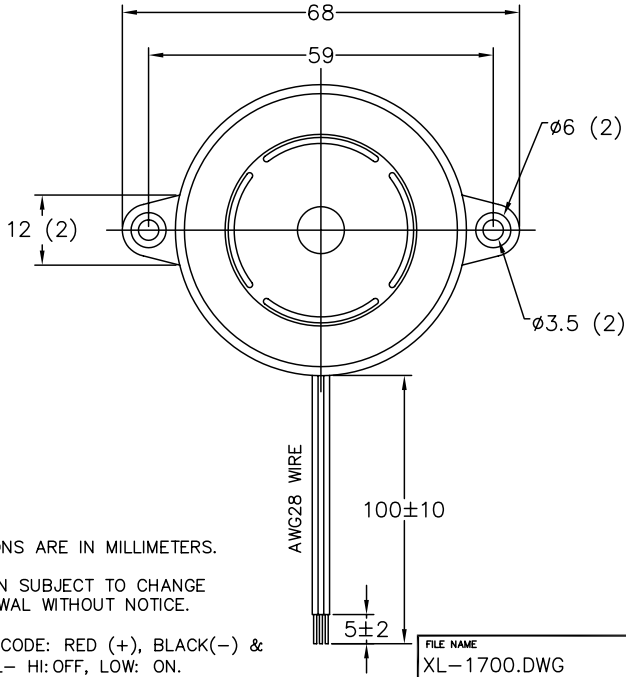


THIS DOCUMENT CONTAINS DATA PROPRIETARY TO PROJECTS UNLIMITED, INC. ANY USE OR REPRODUCTION, IN ANY FORM, WITHOUT PRIOR WRITTEN PERMISSION OF PROJECTS UNLIMITED, INC. IS PROHIBITED.  
© 2005, Projects Unlimited Inc.

SPECIFICATIONS

PARAMETERS	VALUES	UNITS
RATED VOLTAGE	12	Vdc
OPERATING VOLTAGE RANGE	3 ~ 15	Vdc
RATED CURRENT (MAX)	150	mA
MINIMUM SPL @ 10 cm	125	dB
RESONANT FREQUENCY	2000/4000 +/- 500	Hz
TONE OR PULSE RATE	SIREN	<sup>0</sup> PULSE PER SECOND
OPERATING TEMPERATURE	-20 ~ +60	°C
STORAGE TEMPERATURE	-30 ~ +70	°C
HOUSING MATERIAL	ABS	-
TERMINAL MATERIAL	LEAD WIRES	-
WEIGHT	34	grams


REVISIONS			
LTR	DESCRIPTION	DATE	APPROVED
-	RELEASED FROM ENGINEERING	1/27/03	
A	REVISED TO NEW TEMPLATE	11/07/05	B.R.



NOTES:

1. ALL DIMENSIONS ARE IN MILLIMETERS.
2. SPECIFICATION SUBJECT TO CHANGE OR WITHDRAWAL WITHOUT NOTICE.
3. WIRE COLOR CODE: RED (+), BLACK(-) & WHITE (CONTROL- HI: OFF, LOW: ON).

FILE NAME  
XL-1700.DWG

UNLESS OTHERWISE SPECIFIED: DIMENSIONS ARE IN MILLIMETERS, TOLERANCES ARE ±0.5 AND ANGLES ARE ±3°.		 Dayton, Ohio	
INDICATOR		DRAWING NO. XL-1700	
APPROVALS	DATE	SIZE	
DRAWN <i>B.W.</i>	1/03	A	
CHECKED <i>X.X.</i>	<i>X/XX</i>		
APPROVED <i>S.J.</i>	1/27/03		
DO NOT SCALE DRAWING		SCALE: N.T.S.	SHEET 1 OF 1