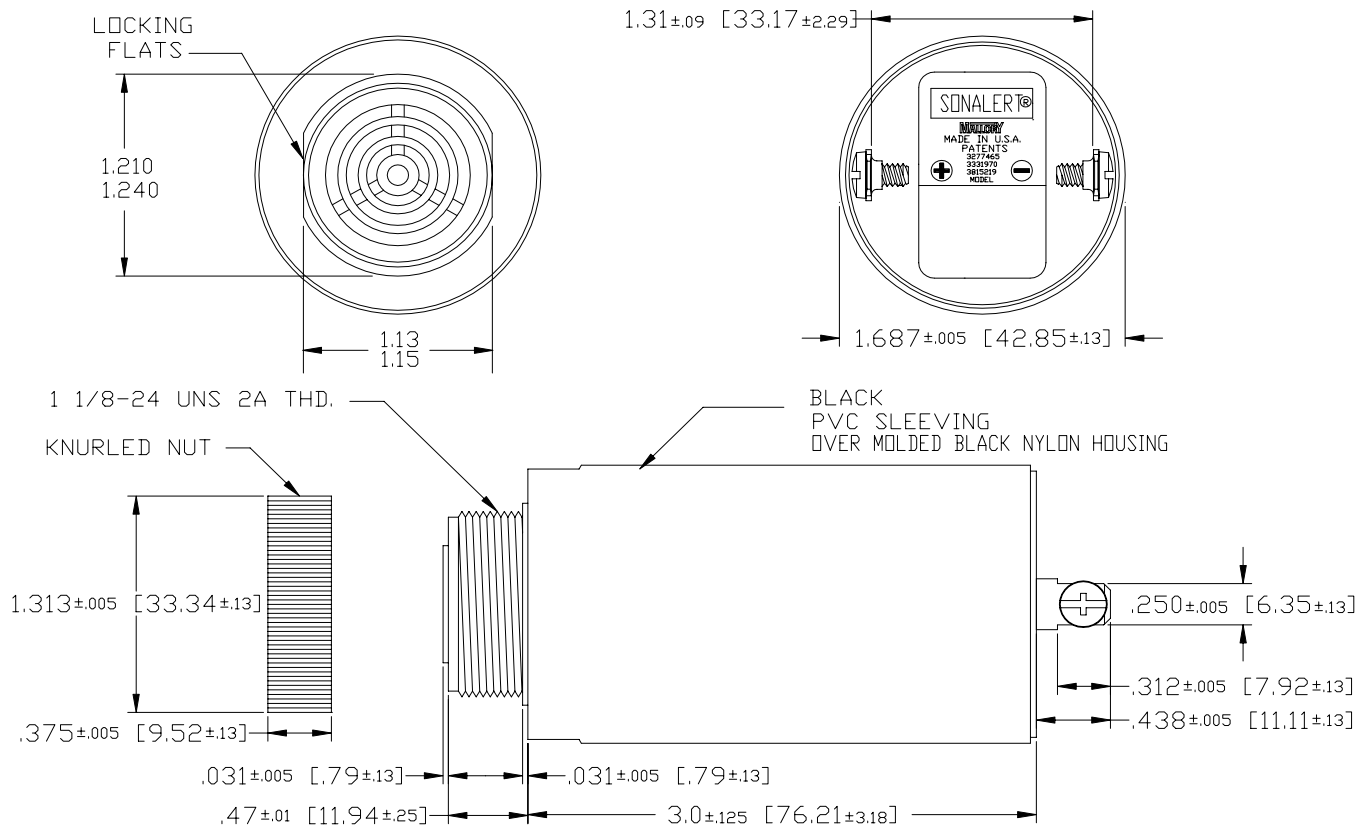


**Specifications:**

Sound level Category	Loud Sound Level
Mode of Operation	CHIRP (Repeats approximately every 1 second)
Mounting	Panel (see note B)
Voltage Rating	110/120 VAC
Frequency	2000 Hz
Loudness	80 dB(A) @ 2 FT and 110 Vac
Current Draw	40 mA @ 110 Vac
Storage Temperature	-40°C to +85°C
Operating Temperature	-40°C to +85°C
Weight (Typical)	6.2 oz (175 g)
Housing	6/6 Nylon, Color Black, with black PVC Slewing
Options	For other options contact factory

**Dimensions:** Inches (mm)



NOTE A: TERMINALS-.032 BRASS TIN PLATED, TAPPED FOR #6-32 SCREW. TWO #6-32 NICKEL PLATED BRASS SCREWS INCLUDED. WILL ACCEPT 1/4" QUICK CONNECT.

NOTE B: MOUNTING- REMOVE BLACK PLASTIC NUT AND INSERT THREADED FRONT THROUGH 1.25" HOLE PUNCHED IN PANEL, IF ORIENTATION IS NEEDED, NOTE LOCKING FLATS ON DRAWING. SCREW NUT BACK ON. DO NOT OVERTIGHTEN.