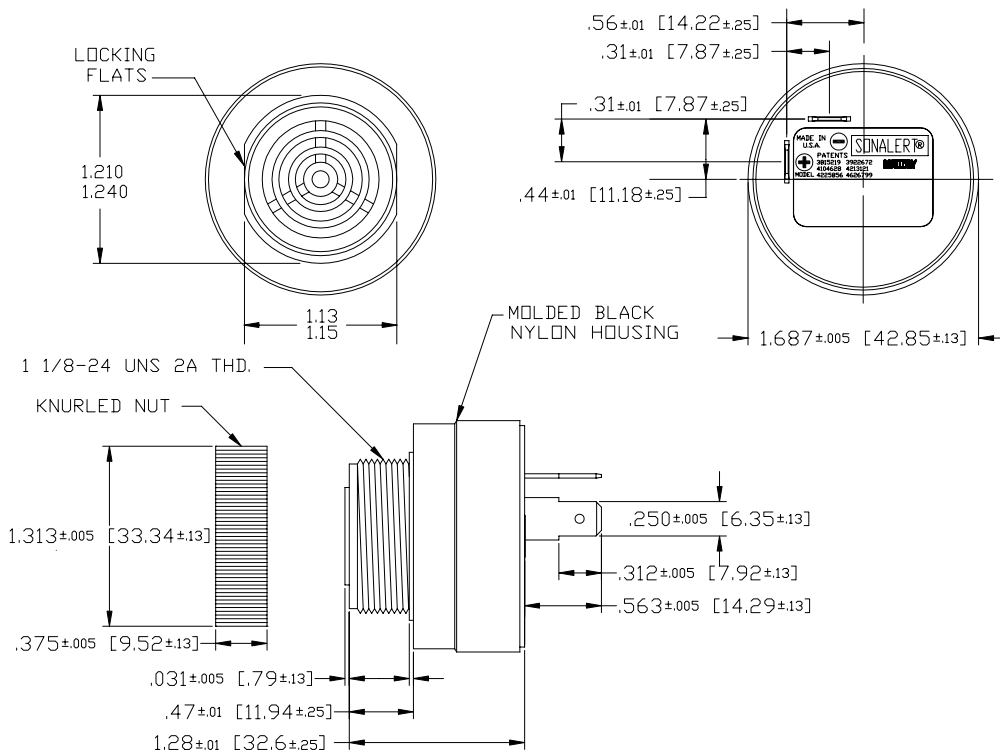


Specifications:

Sound level Category	Medium Sound Level
Mode of Operation	Slow Pulse
Mounting	Panel (see note B)
Voltage Rating	6 to 16 Vdc
Frequency	2900 Hz ±500 Hz
Loudness (Min. Voltage)	68 dB(A) min. @ 2 FT and 6 Vdc
Loudness (Max Voltage)	78 dB(A) min. @ 2 FT and 16 Vdc
Current Draw	2 mA Max @ 6 Vdc
Current Draw	9 mA Max @ 16 Vdc
Min Pulse Rate (PPS)	0.5 @ 6 Vdc
Max Pulse Rate (PPS)	2 @ 16 Vdc
Duty Cycle (%)	50 (Approx)
Storage Temperature	-40°C to +85°C
Operating Temperature	-30°C to +65°C
Weight (Typical)	1.5 oz (42 g)
Housing	6/6 Nylon, and Color Black
Options	For other options contact factory

Dimensions: Inches (mm)



NOTE A: TERMINALS-.032 BRASS, TIN PLATED WITH .070 DIA. WIRE HOLE. WILL ACCEPT 1/4" QUICK CONNECT.

NOTE B: MOUNTING- REMOVE BLACK PLASTIC NUT AND INSERT THREADED FRONT THROUGH 1.25" HOLE PUNCHED IN PANEL, IF ORIENTATION IS NEEDED, NOTE LOCKING FLATS ON DRAWING. SCREW NUT BACK ON. DO NOT OVERTIGHTEN.