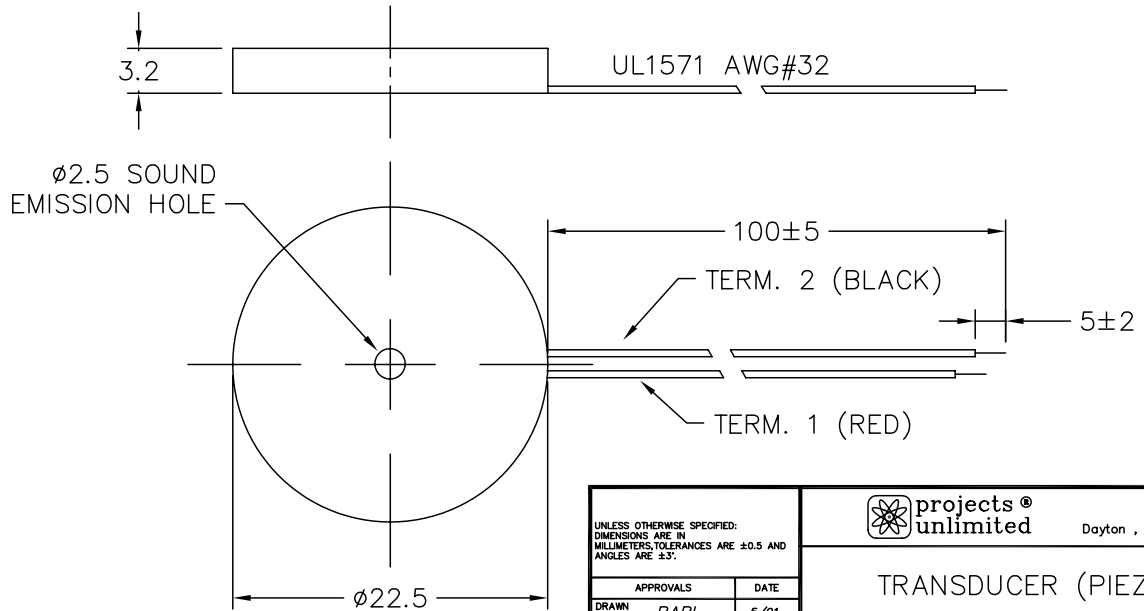


THIS DOCUMENT CONTAINS DATA PROPRIETARY TO PROJECTS UNLIMITED, INC. ANY USE OR REPRODUCTION, IN ANY FORM, WITHOUT PRIOR WRITTEN PERMISSION OF PROJECTS UNLIMITED, INC. IS PROHIBITED.
© 2005, Projects Unlimited Inc.

SPECIFICATIONS

PARAMETERS	VALUES	UNITS
RATED VOLTAGE	6	Vp-p
OPERATING VOLTAGE RANGE	3 ~ 12	Vp-p
RATED CURRENT (MAX)	50	mA
CAPACITANCE	90,000±30%	pF
MINIMUM SPL @ 10 CM	108±3	dBa
RESONANT FREQUENCY	1,000±100	Hz
OPERATING TEMPERATURE	-30 ~ +85	°C
STORAGE TEMPERATURE	-30 ~ +85	°C
HOUSING MATERIAL	ABS	-
TERMINAL MATERIAL	LEAD WIRE	-
WEIGHT	1.1	grams

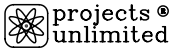
REVISIONS			
LTR	DESCRIPTION	DATE	APPROVED
-	RELEASED FROM ENGINEERING	5/29/01	
A	REVISED TO NEW TEMPLATE	6/3/04	R.W.



NOTES:

1. ALL DIMENSIONS ARE IN MILLIMETERS.
2. SPECIFICATION SUBJECT TO CHANGE OR WITHDRAWAL WITHOUT NOTICE.

FILE NAME
AT-006.DWG

UNLESS OTHERWISE SPECIFIED: DIMENSIONS ARE IN MILLIMETERS. TOLERANCES ARE ±0.5 AND ANGLES ARE ±3°.		 projects® unlimited Dayton, Ohio									
<table border="1"> <thead> <tr> <th>APPROVALS</th> <th>DATE</th> </tr> </thead> <tbody> <tr> <td>DRAWN <i>RABL</i></td> <td>5/01</td> </tr> <tr> <td>CHECKED <i>S.J.</i></td> <td>5/01</td> </tr> <tr> <td>APPROVED <i>X.X.</i></td> <td>X/XX</td> </tr> </tbody> </table>		APPROVALS	DATE	DRAWN <i>RABL</i>	5/01	CHECKED <i>S.J.</i>	5/01	APPROVED <i>X.X.</i>	X/XX	TRANSDUCER (PIEZO)	
APPROVALS	DATE										
DRAWN <i>RABL</i>	5/01										
CHECKED <i>S.J.</i>	5/01										
APPROVED <i>X.X.</i>	X/XX										
DO NOT SCALE DRAWING		SIZE A	DRAWING NO. AT-006								
		SCALE: N.T.S.	SHEET 1 OF 1								