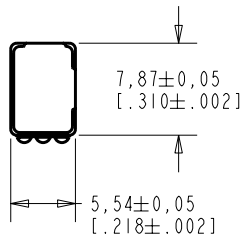

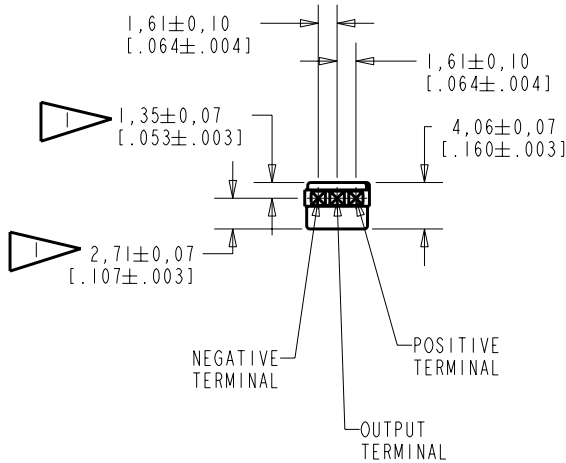


BU-23173-000
SHT 1.1



NOTE:
 LOCATED FROM TWO SURFACES FOR CUSTOMER CONVENIENCE. ONLY APPLICABLE FROM ONE SURFACE, NOT TO BE USED TOGETHER. HORIZONTAL LOCATION FOR TERMINAL CENTERED TO ±0,17 [0,007].



NOMINAL WEIGHT
.28 GRAM

DIMENSIONS IN MILLIMETERS [INCHES]

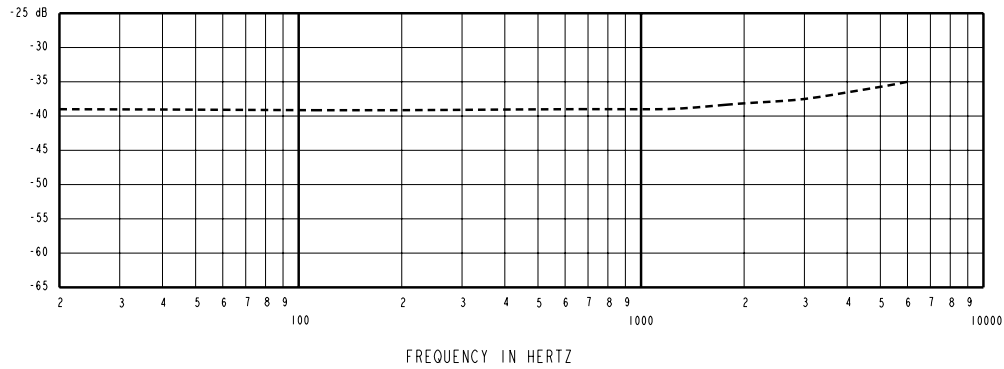
Revision	C.O. #	Implementation Date	RELEASE LEVEL	REVISION
B	MI0101515	7-16-07	Released	B
A	MI0101175	9-20-06		

KNOWLES ELECTRONICS
ITASCA, ILLINOIS U.S.A.

SCALE:	2:1		DR. BY	DATE
DO NOT SCALE DRAWING			AB	9-20-06
TITLE:	VIBRATION TRANSDUCER	BU-23173-000	GJP	9-25-06
OUTLINE DRAWING		SHT 1.1	GJP	9-25-06

KE111ASTZE.FRM Rev: B

SENSITIVITY IN dB RELATIVE TO 1.0 VOLT/g
FOR CONDITIONS SHOWN BELOW



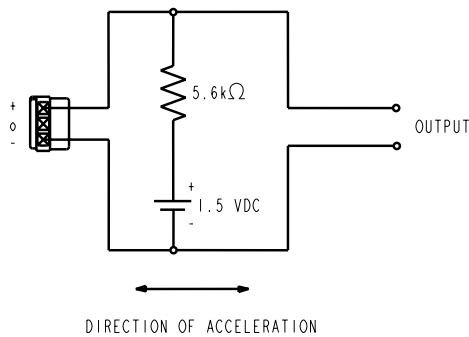
FREQUENCY	SENSITIVITY			DEVICE CONFORMITY	
	MIN.	NOM.	MAX.	RANGE OF DEVIATION FROM 1 kHz	
300	---	-39.0	---	-1.5	+1.5
1000	-43.5	-39.0	-34.5	0	0
3000	---	-37.5	---	-1.0	+2.0

NOTES:

- ALL DATA MEASURED WITH CIRCUIT CONFIGURATION SHOWN BELOW.
- CASE CONNECTED TO NEGATIVE TERMINAL.

DC SUPPLY	BATTERY CURRENT DRAIN	"A" WEIGHTED NOISE (RE 1.0V)	OUTPUT IMPEDANCE OHMS (AT 1 kHz)		
			MIN.	NOM.	MAX.
1.5 V	50 μ A MAX.	-103 dB MAX.	4900	5200	5500

3. TEST CONDITIONS:



Revision	C.O. #	Implementation Date	RELEASE LEVEL	REVISION
B	M10101515	7-16-07	Released	B
A	M10101175	9-20-06		

KNOWLES ELECTRONICS
ITASCA, ILLINOIS U.S.A.

WHEN TEST LIMITS ARE USED TO ESTABLISH INCOMING INSPECTION ACCEPTANCE/REJECTION CRITERIA, CORRELATION OF TEST EQUIPMENT WITH KNOWLES IS ALSO REQUIRED FOR ELIMINATION OF EQUIPMENT AND TEST METHOD VARIATION

TITLE: **VIBRATION TRANSDUCER**
PERFORMANCE SPECIFICATION

BU-23173-000
SHT 2.1

DR. BY	DATE
AB	9-20-06
CK. BY	DATE
GJP	9-25-06
APP. BY	DATE
GJP	9-25-06