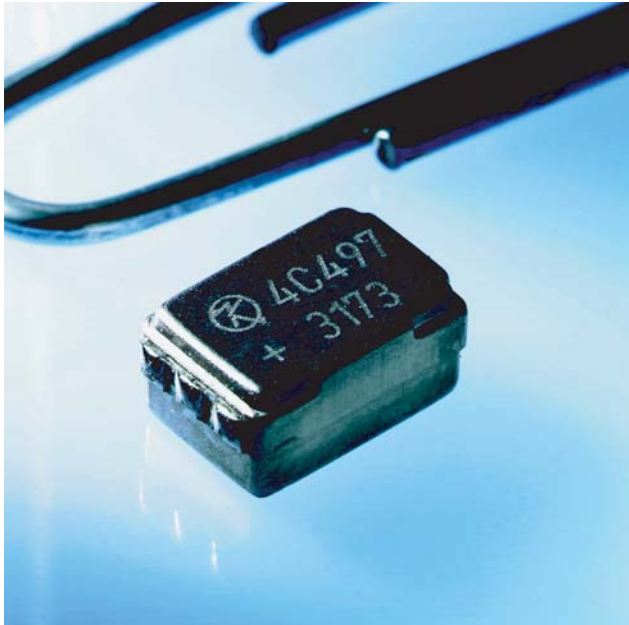
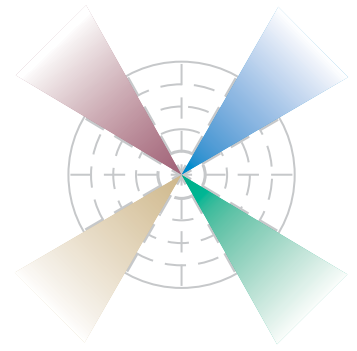


BU Series Accelerometers



Product Features

- Wide Frequency Range
- Hermetically Sealed
- Rugged Shockproof Case
- Low Noise
- Standard and Low Profile Sizes
- Internal FET Preamplifier

Applications

- Communications
- General sensing
- Instrumentation

The BU Series of accelerometers feature broadband output in a versatile miniature case size.



SPECIALTY TRANSDUCERS

CUSTOM ASSEMBLIES

MICROPHONES

ACOUSTIC TECHNOLOGY

BU Series Accelerometers Specifications

Performance

Frequency Response	Charted by response type
Sensitivity Tolerance	+/- 4.5dB @ 1000Hz
DC Supply	1.5 - 10.0 V
Current Drain	50 μ A maximum
Output Impedance (in 2-wire circuit)	4900 to 5500 ohms

Mechanical

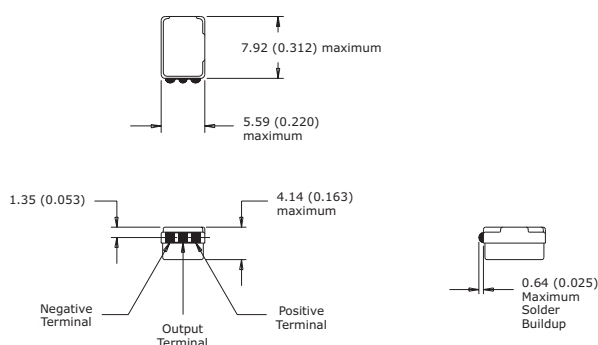
Weight	0.28 grams (nominal)
Dimensions	See outline drawings
Case Material	80Ni20Fe
Solder Content	Sn63Pb37

Optional Soldering Fixture

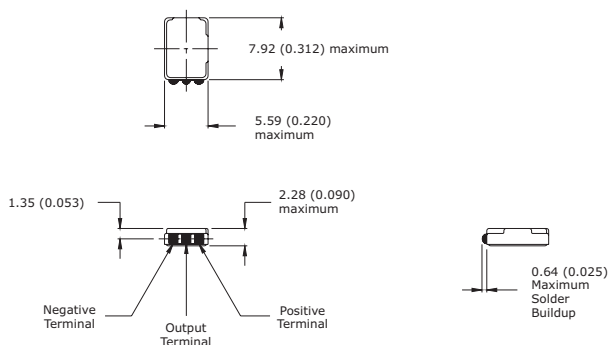
	Standard Case	Thin Case
Base	ET-3042	ET-3042
Nest Plate	ET-802	ET-811
Back Plate	ET-900	ET-900

Outline Drawings

Standard Case

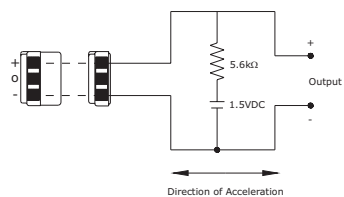


Thin Case

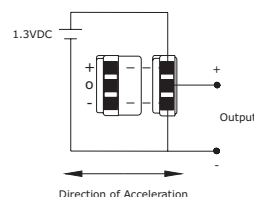


Wire Hookup

Standard 2-Wire Hookup



Alternate 3-Wire Hookup



www.knowlesacoustics.com

AMERICAS:
1151 Maplewood Drive
Itasca, Illinois 60143
U.S.A.
Phone: 630-250-5930
Fax: 630-250-5932

EUROPE:
York Road,
Burgess Hill
West Sussex, RH15 9TT
UK
Phone: 441-444-235432
Fax: 441-444-248724

JAPAN:
5/F YK BLDG. 2-16,
Sangenjaya 2-Chome,
Setagaya-Ku, Tokyo
154-0024 - Japan
Phone: 81-3-5779-8503
Fax: 81-3-5779-8523

KOREA:
#1212, Dongbu Root
Sunae-dong, Bundang-ku
Sungnam-shi, Kyunggi-do
463-825 - Korea
Phone: 82-31-712-2223
Fax: 82-31-712-3314

ASIA:
5F, No. 129, Lane 235, Bauchiau Rd.
Shindian City, Taipei 23145
Taiwan
Phone: 886-2-8919-1799
Fax: 886-2-8919-1798

THE INFORMATION CONTAINED IN THIS LITERATURE IS BASED ON OUR EXPERIENCE TO DATE AND IS BELIEVED TO BE RELIABLE AND IT IS SUBJECT TO CHANGE WITHOUT NOTICE. IT IS INTENDED AS A GUIDE FOR USE BY PERSONS HAVING TECHNICAL SKILL AT THEIR OWN DISCRETION AND RISK. WE DO NOT GUARANTEE FAVORABLE RESULTS OR ASSUME ANY LIABILITY IN CONNECTION WITH ITS USE. DIMENSIONS CONTAINED HEREIN ARE FOR REFERENCE PURPOSES ONLY. FOR SPECIFIC DIMENSIONAL REQUIREMENTS CONSULT FACTORY. THIS PUBLICATION IS NOT TO BE TAKEN AS A LICENSE TO OPERATE UNDER, OR RECOMMENDATION TO INFRINGE ANY EXISTING PATENTS. THIS SUPERSEDES AND VOIDS ALL PREVIOUS LITERATURE.