

宁波凯普电子有限公司

Ningbo Keep Improving Electronics Co.Ltd.

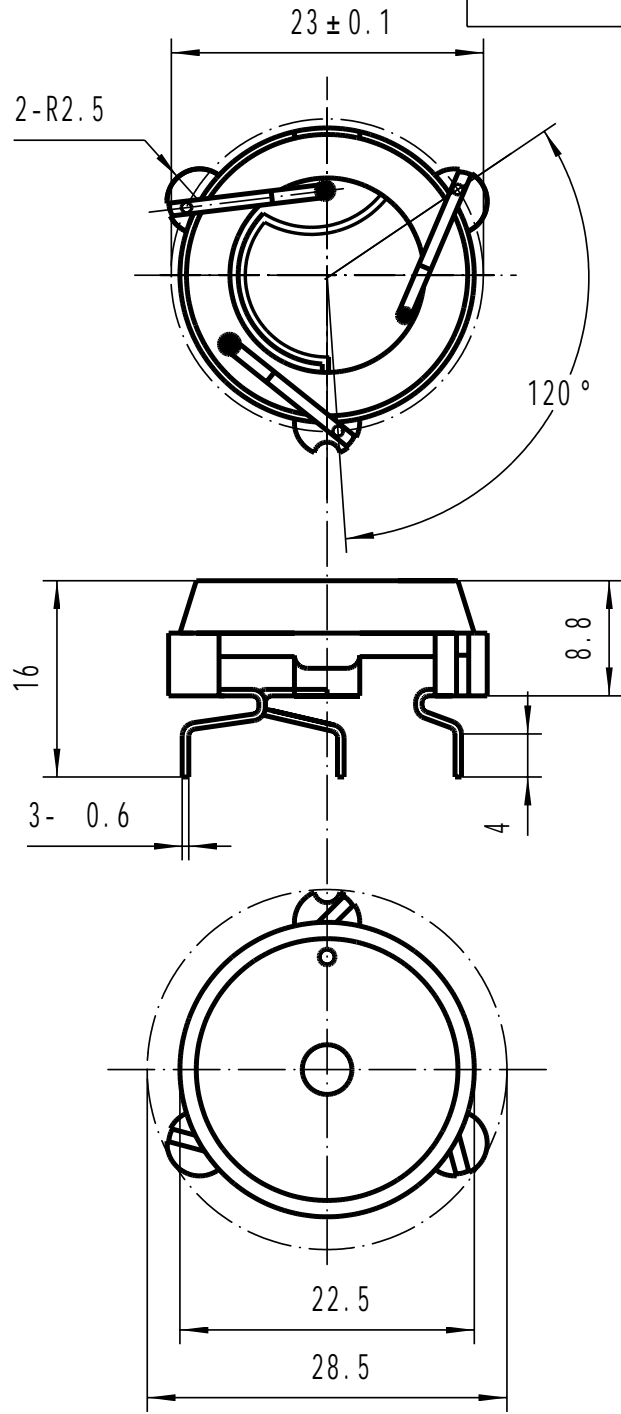
Tel:(+86)0574-88370330
Fax:(+86)0574-88370329

E-Mail: kepo@mail.nbptt.zj.cn
Http://www.chinaacoustic.com

制 品 规 格 书 Engineering Laboratory Specification

客户名称 Customer		凯普型号 Kepo Model	KPT3-2330
客户型号 Customer NO.		图号 DWG NO.	KP3.840.219
概述 Scop.	此确认书仅使用于压电式扬声器/蜂鸣器 This specification is only used for piezo transducer/buzzer		
编号 NO.	项 目 Items	规 格 Specifications	
1	额定电压 Rated Voltage	30VDC	
2	工作电压 Operating Voltage	3 ~ 40VDC	
3	额定电流 Max. Rated Current	25mA	
4	额定声压 Min. Sound Pressure Level	75dB/100cm	
5	音调 Tone Nature	Continuous	
6	静电容量 Capacitance at 100Hz	/	
7	谐振频率 Resonant Frequency	4.0 ± 0.5KHz	
8	壳体材料/颜色 Shell Material/Color	PBT	
9	工作温度 Operating Temperature	-20 ~ +70	
10	贮存温度 Store Temperature	-30 ~ +80	
11	重量 Weight	2g	
备 注 Note:			
设计 Designed By	查 核 Checked By	承 认 Approved By	日 期 Date 01.03.10

REVISIONS				APPLICATION	
REV	DESCRIPTION	DATE	APPROVED	NEXT ASSY	USED ON



TOLERANCES UNLESS NOTED OTHERWISE

.X ±
.XX ±
.XXX ±

90° FORMED +2°
ANGLES -1°

FIRST ANGLE PROJECTION

SIGN	DATE
PREP.	01.03.10
ENG.	
QA.	
PROJ.	
CONTRACT NO.	
AGENCY APPROVAL	

KEPO MODEL NO.
KPT3-2330

DWG NO.
KP3.840.219

KEPO CO.LTD.

CUSTOMER

CUSTOMER NO.

REV 1.0	SHEET
UNIT: mm	SCALE

TEL:(+86)574-88370330
FAX:(+86)574-88370329