

宁波凯普电子有限公司

Ningbo Keep Improving Electronics Co.Ltd.

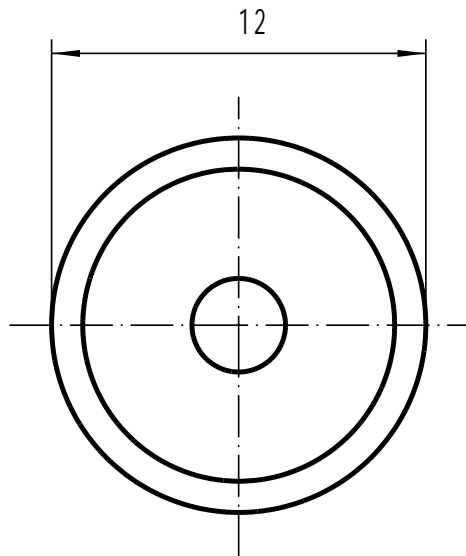
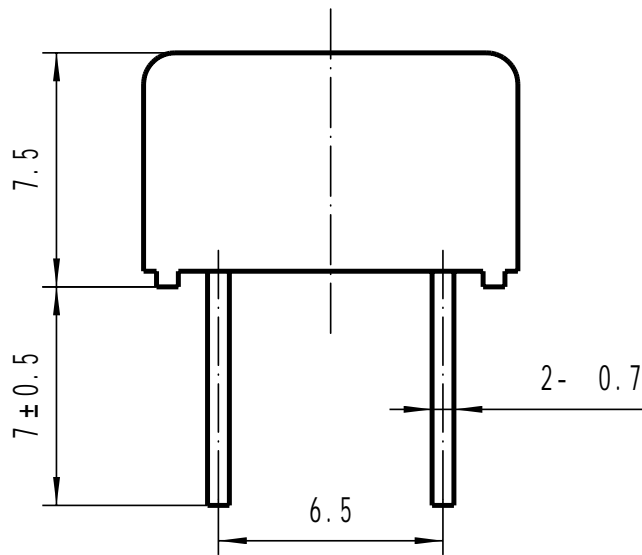
Tel:(+86)0574-88370330
Fax:(+86)0574-88370329

E-Mail: kepo@mail.nbptt.zj.cn
Http://www.chinaacoustic.com

制 品 规 格 书 Engineering Laboratory Specification

| | | | |
|----------------------|---|----------------------|------------------------|
| 客户名称 Customer | | 凯普型号 Kepo Model | KPT-1210 |
| 客户型号 Customer NO. | | 图号 DWG NO. | KP3.840.201 |
| 概述 Scop. | 此确认书仅使用于压电式声响器/蜂鸣器 This specification is only used for piezo transducer/buzzer | | |
| 编号 NO. | 项目 Items | 规格 Specifications | |
| 1 | 额定电压 Rated Voltage | 12Vp-p Square Wave | |
| 2 | 工作电压 Operating Voltage | 3-30Vp-p Square Wave | |
| 3 | 额定电流 Max. Rated Current | 2mA | |
| 4 | 额定声压 Min. Sound Pressure Level | 80dB/10cm | |
| 5 | 音调 Tone Nature | / | |
| 6 | 静电容量 Capacitance at 100Hz | 10000pF ± 30% | |
| 7 | 谐振频率 Resonant Frequency | 4.5 ± 0.5KHz | |
| 8 | 壳体材料/颜色 Shell Material/Color | PPO/BLACK | |
| 9 | 工作温度 Operating Temperature | -20 ~ +80 | |
| 10 | 贮存温度 Store Temperature | -30 ~ +100 | |
| 11 | 重量 Weight | 1.5g | |
| 备注 Note: | | | |
| 设计 Designed By | 查核 Checked By | 承认 Approved By | 日期 Date 00.05.28 |

| REVISIONS | | | | APPLICATION | |
|-----------|-------------|------|----------|-------------|---------|
| REV | DESCRIPTION | DATE | APPROVED | NEXT ASSY | USED ON |
| | | | | | |
| | | | | | |



| | | | | | | |
|--|-----------------|------|----------|--|--------------|-------|
| TOLERANCES UNLESS NOTED OTHERWISE .X ± .XX ± .XXX ± 90° FORMED +2° ANGLES -1° | | SIGN | DATE | KEPO MODEL NO. | CUSTOMER | |
| | PREP. | | 00.05.28 | KPT-1210 | CUSTOMER NO. | |
| | ENG. | | | DWG NO. | REV 1.0 | SHEET |
| | QA. | | | KP3.840.201 | UNIT: mm | SCALE |
| | PROJ. | | | | | |
| FIRST ANGLE PROJECTION | CONTRACT NO. | | | KEPO CO.LTD. TEL:(+86)574-88370330 FAX:(+86)574-88370329 | | |
| | AGENCY APPROVAL | | | | | |