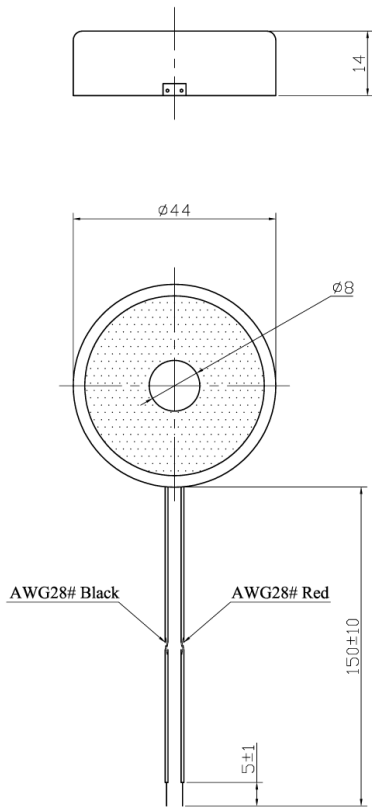


SPECIFICATION

1. Rated Voltage12Vp-p Square Wave
2. Max. Allwable Voltage30Vp-p Square Wave
3. Max. Rated Current4mA at 1.0KHz/12Vp-p Square Wave
4. Min. Sound Pressure Level.....78dB at 1.0KHz/12Vp-p Square Wave/30cm
5. Capacitance at 120Hz85000pF±30%
6. Resonant Frequency1.0±0.5KHz
7. Case Material.....ABS
8. Operating Temperature-20~+60°C
9. Store Temperature-30~+70°C
10. Weight9g



| | | | | | |
|--|-------------|----------|------|---|----------------------------------|
| | | | | KEPO KEPO ELECTRONIC CO., LTD. http://www.kepo.com.tw | |
| No. | DESCRIPTION | APPROVED | DATE | Piezo transducer KPR-4411 | |
| TOLERANCES UNLESS NOTED OTHERWISE X + XX + XXX + 90° FORMED ANGLES ±1° | | DRAWN | DATE | UNIT | DWG NO. |
| FIRST ANGLE PROJECTION | | CHECKED | | mm | KP3.840.328 |
| | | APPROVED | | 03.06.05 | SCALE NOT TO SCALE SHEET VER 1.0 |