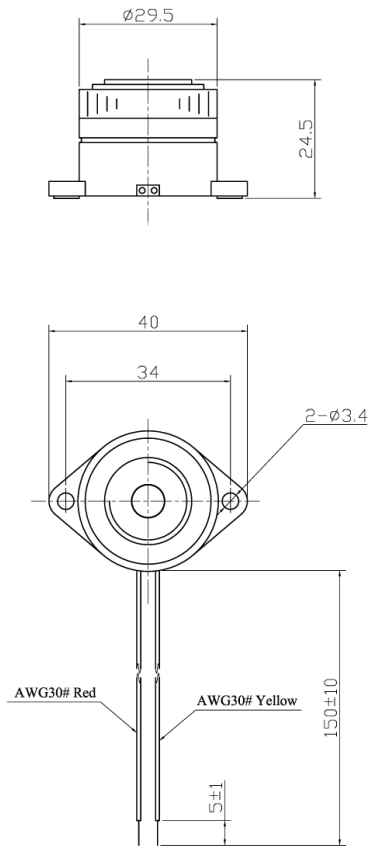


SPECIFICATION

1. Rated Voltage12 VDC
2. Operating Voltage3~24VDC
3. Max. Rated Current15mA at 12VDC
4. Resonant Frequency3.7±0.5KHz
5. Min. Sound Pressure Level.....85dB at 12VDC/30cm
6. Tone NatureSlow Pulse
7. Case MaterialABS
8. Operating Temperature-20 ~ +60°C
9. Store Temperature-30 ~ +70°C
10. Weight15g



				KEPO KEPO ELECTRONIC CO., LTD. http://www.kepo.com.tw	
				Piezo Buzzer KPI-2912L	
No.	DESCRIPTION	APPROVED	DATE	UNIT	DWG NO.
		APPROVALS	DATE	mm	KP3.840.078
10% JEANSON UNITS NOTED OTHERWISE X XX + XXX 0 90° FORMED ±2° ANGLES ±°		DRAWN			
FIRST ANGLE PROJECTION		CHECKED			
		APPROVED	03.04.12	SCALE	SHEET
				NOT TO SCALE	VER 1.0