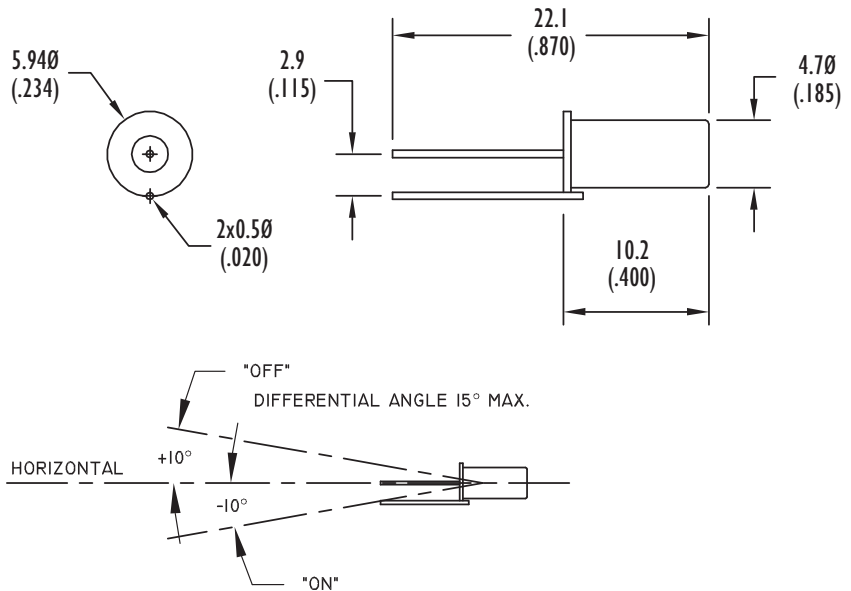


Product Data Sheet

Part Number: CW1300-1
Tilt Switch / Motion Sensor

PICTURE **DIMENSIONS**



Drawings not to scale
 All dimensions in mm(inches) nominal

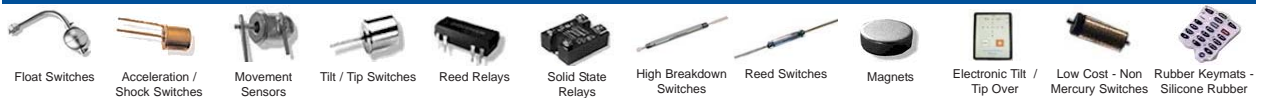
✓ RoHS Compliant

SPECIFICATIONS

Contact Form/Style	Dependent on mounting	
Switching Voltage	Max. Vac	60
Switching Current	Max. A	0.25
Switching Capacity	Max. VA	3
Contact Resistance	Max. Ohms	30 Ohms measured 10 deg. below horizontal at 5VDC.
Make Angle	Max. Deg.°	10 below horizontal
Break Angle	Max. Deg.°	10 above horizontal
Differential Angle	Max. Deg.°	15
Operating Temperature	Deg.°C	-37° C to 100° C
Case Material	Tin plated	
Features	Mercury Free, Patented Design, Hermetically sealed and Inert gas filled	

REV. NO.	REVISION NOTE	DATE	SIGNATURE
E	Datasheet Redesign	May 28, 2008	LG

Take a look at our variety of products



As part of the company policy of continued product improvement, specifications may change without notice. Our sales office will be pleased to help you with the latest information on this product range and the details of our full design and manufacturing service. All products are supplied to our standard conditions of sale unless otherwise agreed in writing.

©2008 Copyright Comus International Inc.
 454 Allwood Rd, Clifton, NJ 07012, USA.
 Phone: (1) 973 777 6900 Fax: (1) 973 777 8405 Website: www.comus-intl.com
 UK: +44 (0)1255 862236 - Belgium: + 32 (0)12 390400 - France: + 33 (0) 1 43 96 86 10