

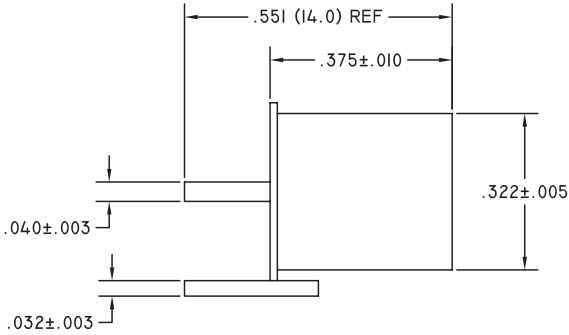
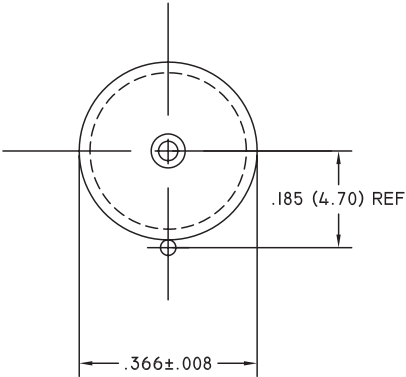
DRAWING #: AU 2400-1

REV.	DATE	REVISION DESCRIPTION	DR.
A	06/25/99	ORIGINAL	S.H.
B	06/10/04	ECN 2004-121	C.R.

ENVIRONMENTALLY FRIENDLY MOTION SENSOR, CONTAINS NO HAZARDOUS MATERIAL

NOTES:

- 1. ELECTRICAL:
 - 1.1 CONTACT CAPACITY 25 MA MAX., 24 VDC MAX.
 - 1.2 CONTACT RESISTANCE 5 OHMS NOM.
- 2. OPERATE:
 - 2.1 MOTION SENSOR, BOTH STARTING AND ENDING POSITIONS MAY BE EITHER N.O. OR N.C.
 - 2.2 OPERATING TEMPERATURE -37 DEG. TO 100 DEG. C.
- 3. EXTERNAL FINISH:
 - 3.1 GOLD PLATED



COMUS INTERNATIONAL								
454 ALLWOOD ROAD, CLIFTON, NEW JERSEY 07012				TEL. (973) 777-6900				
ENGINEERING			UNSPECIFIED TOLERANCES DECIMAL: .XX ±.01 [.254] .XXX ±.005 [.127] FRACTIONAL: ± 1/64 [.397] ANGULAR: ± 1/2°	REF.:	SCALE:	DRAWN BY:	DATE	
QUALITY				MS24	NONE	C.R.	06/11/04	
PRODUCTION				TITLE: VIBRATION AND MOVEMENT SENSOR				
APPROVAL	SIGNATURE	DATE		DATE: 06/10/04	DRAWING #: AU2400-1			