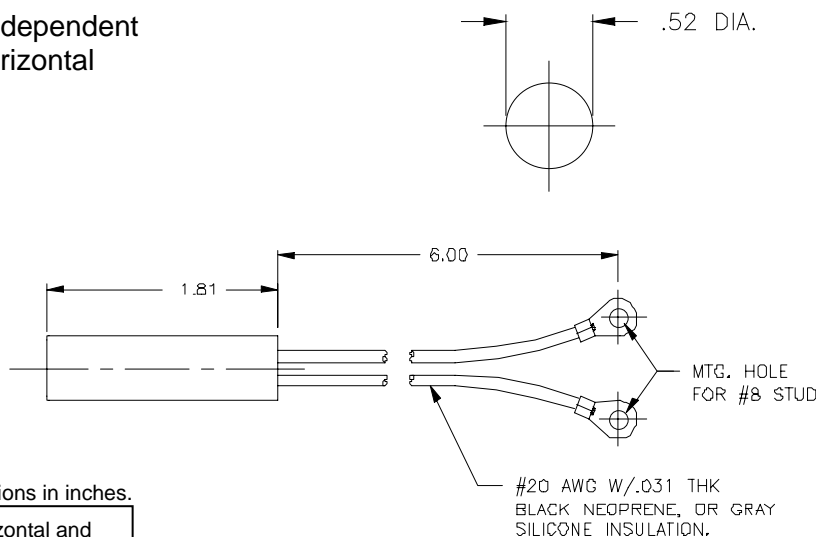


# Part No: G5Z-003 – G5 Series Tilt Switch - Mercury



- Features:**
- \* Insulated
  - \* Form: NO/NC/SPST/Mount dependent
  - \* Angles Referenced from Horizontal
  - \* Hermetically Sealed
  - \* Small Package Size
  - \* Narrow Included Angle
  - \* High Current Capability
  - \* Low Contact Resistance
  - \* Long Life



Drawing dimensions in inches.

Tilt switches "make" when the electrode is tilted below horizontal and "break" when tilted above the horizontal. Total travel from "make" to "break" is the "Maximum included angle" shown below. The component to which the switch is attached must have a total tilt angle greater than the "Maximum included angle" for proper operation.

Maximum included Angle* :	11°
	* Switching occurs when body axis is near horizontal
<b>Switch Ratings:</b>	
Max Switching Voltage	240V
Max Switching Current	120VAC / 7A, 240VAC / 5A : 120VDC / 5A, 240VDC / 4A : Tungsten 240V / 700W: 0.33HP / 480VAC, 0.25HP / 240 VDC
Initial Contact Resistance (Max).	3 milli Ohms
Stand Off Voltage (contact to contact)	1500V
(contact to ground)	5000V
Operating Temperature	-38° to 220°F / -38° to 105°C
Storage Temperature	-40° to 356°F / -40° to 180° C
Typical number of operations at specified load	10,000,000
G-Force Activation G-Level/Range	N/A
<b>Dimensions:</b>	
Weight per 100pcs. Lbs / Kgs:	4.45 / 2.02
Body Length (less leads). Inches / Millimeters:	1.81 / 46.0
Maximum Diameter. Inches / Millimeters:	0.52 / 13.7
<b>Materials:</b>	
Lead Wire Type	#20AWG Silicone Insulated
Lead wire length/skive/termination	6 in / Ring Terminal with 0.17 dia. hole
Finish:	Cotton Insulated



© American Electronic Components Inc 2006

**American Electronic Components Inc.,**  
 1101 Lafayette Street, Elkhart, Indiana. USA  
 Tel: +1-574-295-6330 Fax: +1-574-293-8013  
 Email: [sales@aecensors.com](mailto:sales@aecensors.com)  
<http://www.aecensors.com>