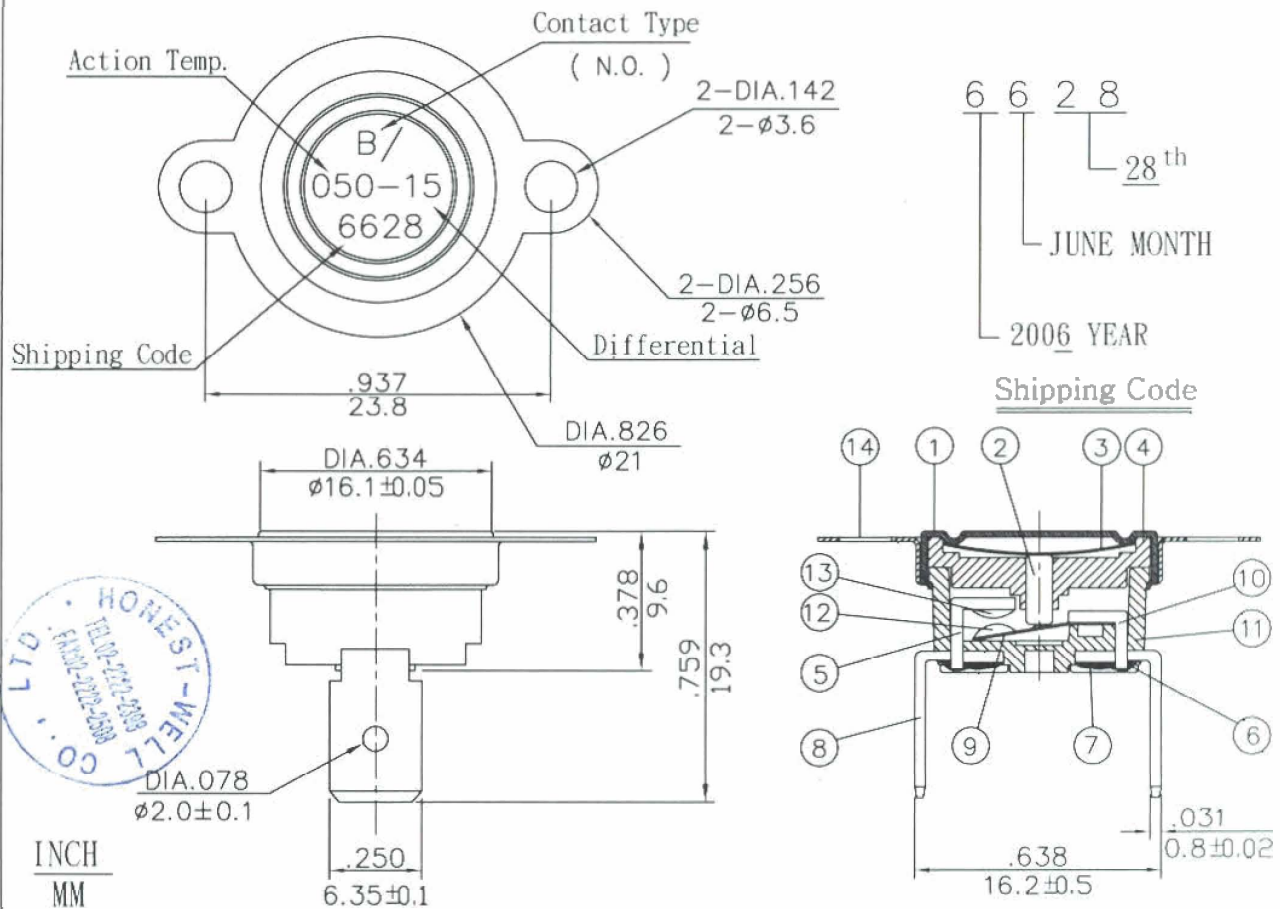


SPECIFICATIONS

PARTS NAME	MATERIAL	UL FLAME GRADE
1 Sensing cap	Aluminum	
2 Actuating pin	Ceramic	
3 Bimetal disc	Bimetal	
4 Retainer	PPS	
5 Stationary arm	Brass tin plated	
6 Solder	Tin	
7 Glue	Epoxy	
8 Terminal	Brass tin plated	
9 Movable arm	Beryllium copper	
10 Terminal-J	Brass tin plated	
11 Case	PPS	
12 Contact-R	Silver alloy	
13 Contact-F	Silver alloy	
14 Bracket	Steel Nickel plated	

* CONTACT TYPE : Normally Open
 * ACTION TEMP : 50°C ± 3K
 * RESET TEMP : 35°C ± 4K
 * TERMINAL SIZE : Amp #250 TAB
 * CIRCUIT RESISTANCE : 50mΩ MAX.
 * INSULATION RESISTANCE : 100MΩ min. at DC 500V
 * DIELECTRIC STRENGTH : AC 1000V For One Minute
 Or AC 1800V For One Sec
 * APPROVALS: VDE UL CUL
 * ELECTRICAL RATING & OPERATING LIFE :
 VDE - 15A 240VAC 100,000 Cycles (Resistive Load)
 16A 250VAC 10,000 Cycles (Resistive Load)
 Licence No. 127475
 (By Standard Differential:10k-15k)
 UL CUL - 15A 120VAC 100,000 Cycles (Resistive Load)
 Licence No. E192925
 (By Standard Differential:10k-15k)



INCH
MM

SCALE: 2:1 (mm) The size remains unchanged, but other technical modification will be made without notice.

④				TITLE	3B-SR2
③				FULL CODE	T23B050ASR2-15
②				MATERIAL NO.	1006851
①				CUSTOMER	PREMIER
REV	DESCRIPTION	DFTG.	DATE	DRAWING NO.	782010
DFTG	FALCO	CHKD	SALES	MFG.	APRVL

HONEST-WELL CO., LTD.