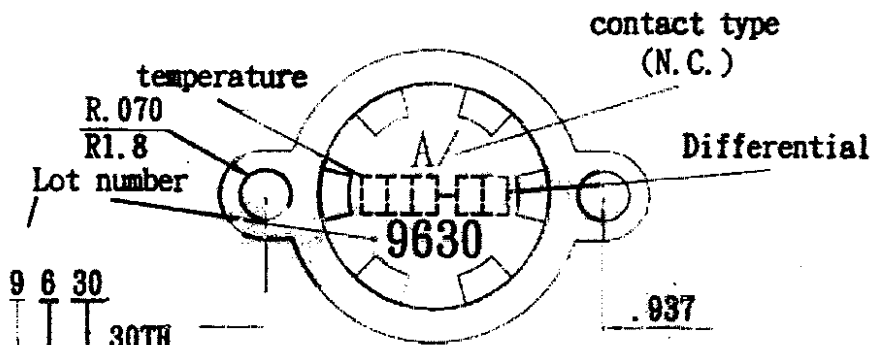


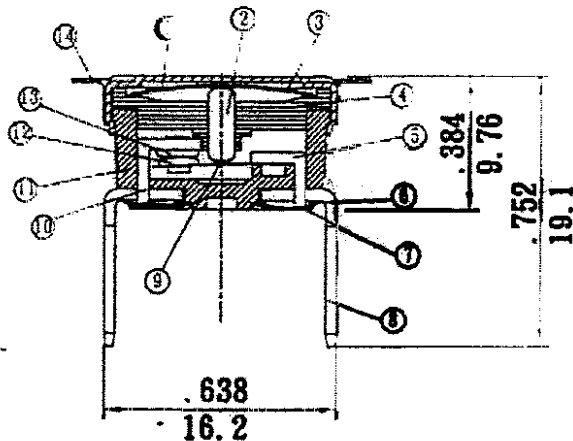
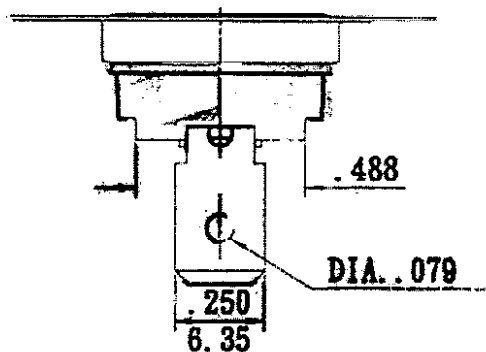
	PARTS NAME	MATERIAL	UL FLAME GRADE
1	Sensing cup	Aluminum	
2	Actuating pin	Ceramic	
3	Bimetal disc	Bimetal	
4	Retainer	Phenolic or pps	94V-0
5	Stationary arm	Brass tin pltd	
6	Solder	Tin	
7	Glass	Epoxy	
8	Terminal	Brass or steel tin pltd	
9	Movable arm	Beryllium copper	
10	Terminal-A	Brass tin pltd	
11	Case	Phenolic or pps	94V-0
12	Contact-R	Silver alloy	
13	Contact-F	Silver alloy	
14	Bracket	Steel	

### SPECIFICATIONS

- \* NORMALLY CLOSE TYPE
- \* OPEN :  $100 \pm 3 \text{ } ^\circ\text{C}$
- \* CLOSE:  $85 \pm 4 \text{ } ^\circ\text{C}$
- \* TERMINAL SIZE .250" QUICK CONNECT
- \* AGENCY APPROVALS: UL CUL VDE SEMKO  
DEMKO FIMKO NEMKO
- \* 15A 125VAC 10A 250VAC(Resistive)
- \* LIFE 100K CYCLES



9 6 30  
30TH LOTS  
8-AUG.  
9-SEPT.  
0-OCT.  
N-NOV.  
D-DEC.  
1999



INCH  
MM

The size remains unchanged, but other technical modification will be made without notice.

SCALE	2:1 (mm)	TITLE			3A-SR2	
		MODEL				T23A100ASR2-15
		MATERIAC NO.				
		MATERIAC				
		DRAWING NO.				150910
REV	DESCRIPTION	DFTG.	DATE			
DFTG	<i>Chi</i>	CHKD	Jcan	MFG.	<i>Lee</i>	