

Pt100 Probe, Mineral Insulated, PTFE Lead

Pt100 sensing resistor in flexible, mineral insulated, stainless steel sheath, PTFE insulated extension lead

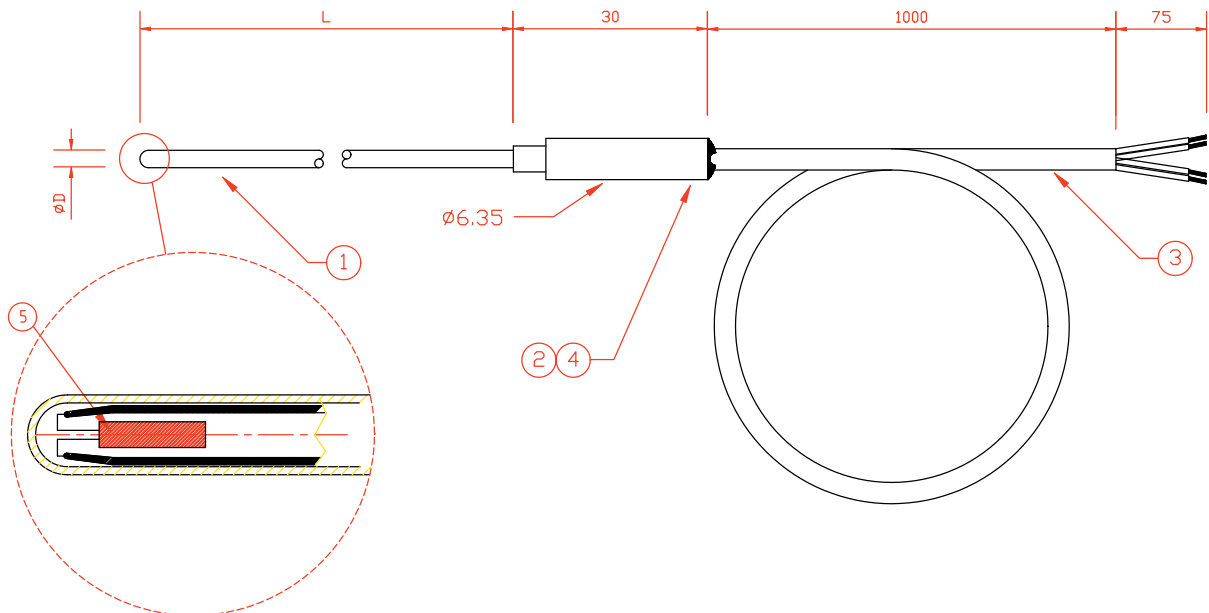
Specifications

Sensor type	Pt100, class B, 4 wire to IEC60751
Probe material	Stainless steel 310, mineral insulated conductors, welded tip
Tip temperature rating	-50°C to 500°C
Termination	Flying lead & tails
Extension cable	PTFE insulated, screened, 4 core, 1 metre

Dimensions & Codes

Probe length	Probe dia.	Farnell Code	Lab Code
3mm	150mm	4100694	XF-316-FAR
3mm	250mm	4100700	XF-317-FAR
6mm	150mm	4100712	XF-318-FAR
6mm	250mm	4100724	XF-319-FAR

Data Ref: FAR2



Item	Farnell Part No.	D	L
A	410-0694	3	150
B	410-0700	3	250
Item	Farnell Part No.	D	L
D	410-0712	6	150
E	410-0724	6	250