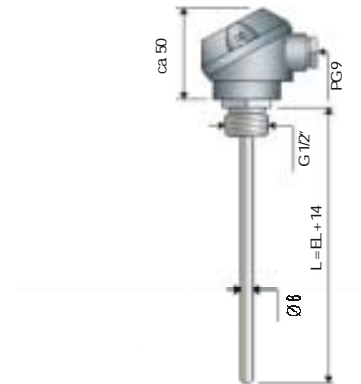


MA Probes



Description	Sensor	Accuracy	Temperature-range [°C]	Length [mm]	Art.-No.
Temperature Probe with Connection Head MA	Pt 100	IEC 751 Class B	-50...+400	50	0628 0033
Aluminium,				100	0628 0033 07
Terminal block out of Ceramic, probe tube out of stainless steel,				150	0628 033 05
thread G1/2" stainless steel				250	0628 0033 08