

725 5421

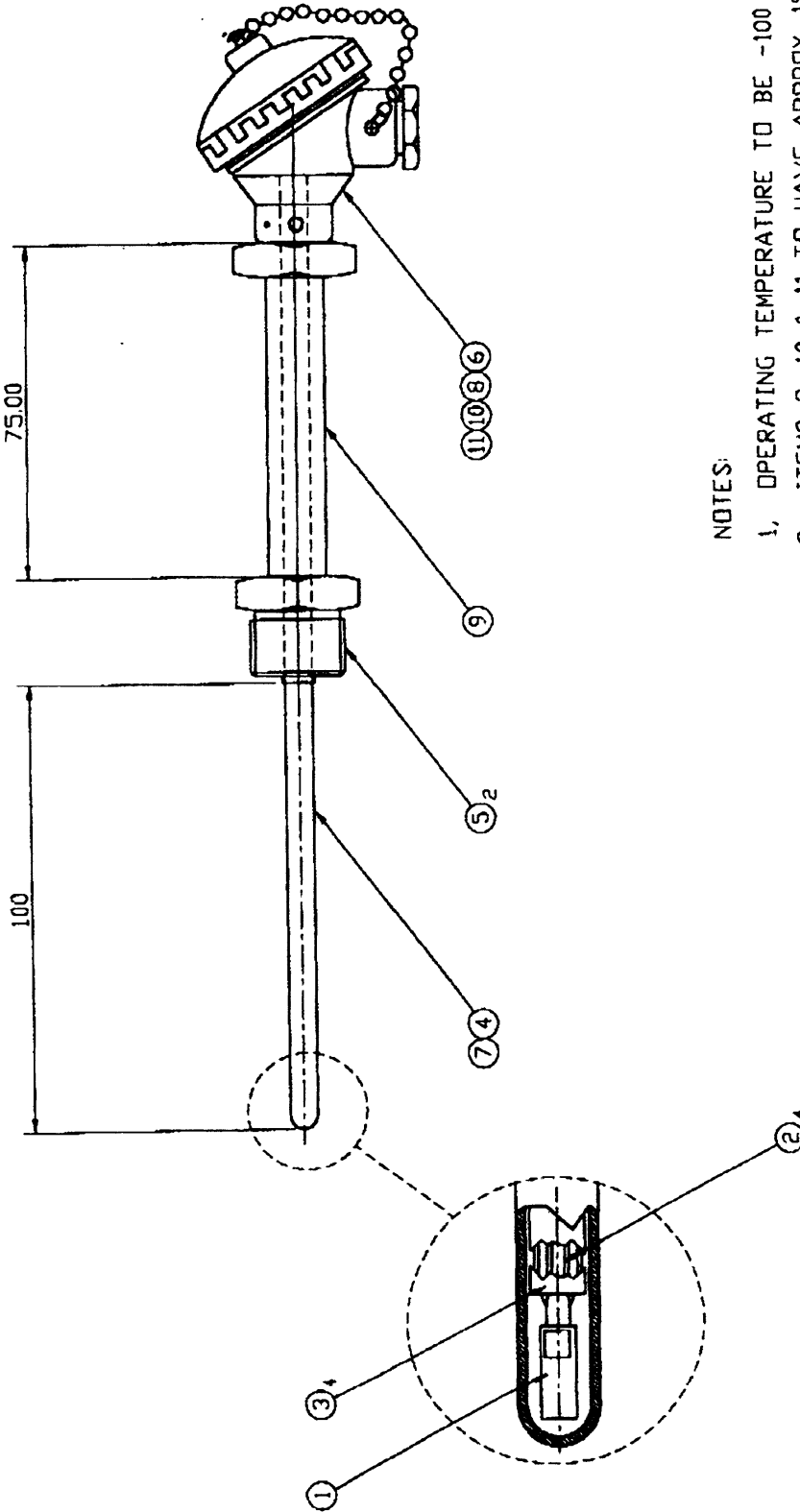
DRAWING No
010007TD

DO NOT SCALE



THIRD ANGLE PROJECTION

IF IN DOUBT ASK



CONTROLLED

NOTES:

- 1, OPERATING TEMPERATURE TO BE -100 TO +450°C.
- 2, ITEMS 2, 10 & 11 TO HAVE APPROX. 150mm, COILED UP INSIDE ITEM 6.

ISSUE	REASON FOR CHANGE	DRAWN	APP	DATE	MATERIAL	FINISH	LABFACILITY LIMITED, 99 WALDEGRAVE ROAD, TEDDINGTON, MIDDLESEX, TW11 8LR. TEL 0181 9435331 FAX 0181 9434351	TITLE	DRAWN	CHECKED	DATE	SCALE
B	REFER TO DCN 0018	J.S.C		19.05.99	N/A	N/A		100mm PT100 PROCESS SENSOR ASSY.	J.S.C		19.11.98	N.T.S
A	REFER TO NDR 0008	J.S.C		19.11.98				TOLERANCE: +0.25 UNLESS STATED OTHERWISE -0.25 DOES NOT APPLY TO ASSY DWGS				
								PART NUMBER FARNELL 725-5421				
								DRAWING No 010007TD				
												SHEET 1 OF 2 SHEETS SHEET SIZE: A3