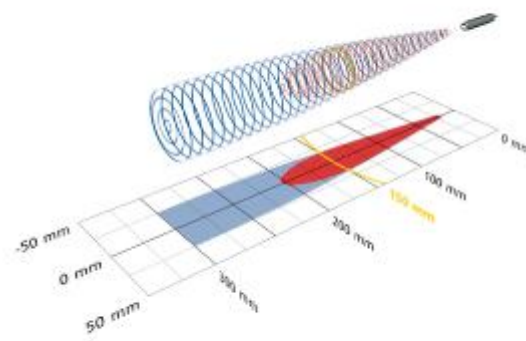
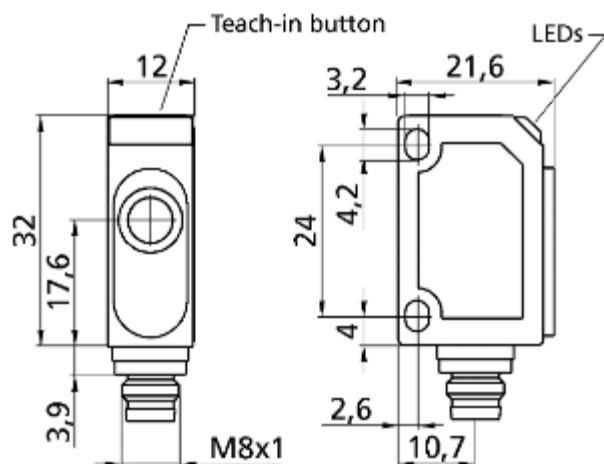


zws-15/CU/QS

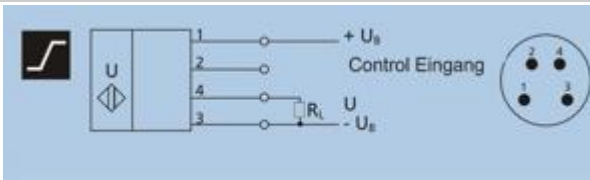
€ mark for sensor comparison

housing detection zone



1 x analogue 0-10 V/250 mm

| | |
|-----------------------------|---|
| operating range | 20 - 150 mm |
| design | colloidal |
| operating mode | analogue distance measurements |
| ultrasonic -specific | |
| means of measurement | echo propagation time |
| transducer frequency | 380 kHz |
| blind zone | 20 mm |
| operating range | 150 mm |
| maximum range | 250 mm |
| angle of beam spread | please see graphics detection zone |
| resolution/sampling rate | 0.20 mm |
| reproducibility | ± 0.15 % |
| accuracy | ≤ 2 % (temperature drift internal compensation) |
| electrical data | |
| operating voltage U_B | 20 - 30 V d.c., reverse polarity protection |
| voltage ripple | ± 10 % |
| no-load current consumption | ≤ 25 mA |
| type of connection | 4-pin M8 initiator plug |
| outputs | |
| output 1 | analogue output voltage: 0-10 V, short-circuit-proof |

| | |
|---|--|
| | switchable rising/falling |
| response time | 50 ms |
| delay prior to availability | < 300 ms |
| inputs | |
| input 1 | com input |
| description | external synchronisation from rectangular signal with a defined pulse width |
| housing | |
| material | ABS |
| ultrasonic transducer | polyurethane foam, epoxy resin with glass contents |
| class of protection to EN 60529 | IP 67 |
| operating temperature | -25°C to +70°C |
| storage temperature | -40°C to +85°C |
| weight | 10 g |
| further versions | high chemical resistance |
| further versions | zws-15/SI/CU/QS crz-15/CU/QS |
| technical features/characteristics | |
| temperature compensation | yes |
| controls | 1 pushbutton |
| scope for settings | teach-in |
| synchronization | yes |
| multiplex | no |
| indicators | 1 x LED green: working, 1 x LED yellow: object in the window |
| particularities | small colloidal design narrow sound field |
| documentation & accessories | |
| user's manual | BA_ENG_zws-xxxCU.pdf |
| STEP | zws-15_XX_QS_STP.zip |
| IGS | zws-15_XX_QS_IGS.zip |
| IPT | zws-15_XX_QS_IPT.zip |
| PDF | zws-15_XX_QS_PDF.zip |
| SAT | zws-15_XX_QS_SAT.zip |
| deployable accessory | KST4A-2/M8 KST4A-5/M8 KST4G-2/M8 KST4G-5/M8 MW-ZWS 2 MW-ZWS 3 SoundPipe zws1 |
| pin assignment |  |
| order no. | zws-15/CU/QS |