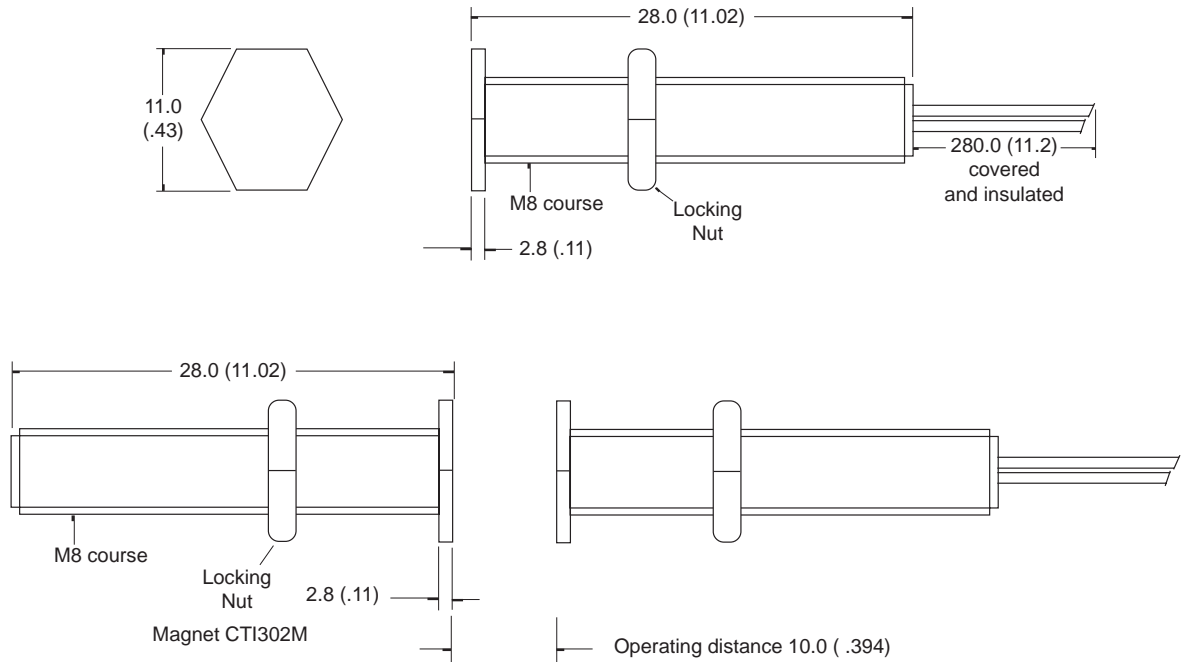


Comus Group of Companies

PRODUCT DATA SHEET



Drawings not to scale
All dimensions in mm (inches) nominal

SPECIFICATION

CONTACT FORM/STYLE		Normally Open
SWITCHING VOLTAGE	Max. Vac	230
SWITCHING CURRENT	Max. A	0.5
SWITCHING CAPACITY (RESISTIVE)	Max. VA	10
CONTACT RESISTANCE	Max. mΩ	200
SWITCHING DISTANCE	Min. mm	10
OPERATING TEMPERATURE	Deg. °C	-20° + 85°
STORAGE TEMPERATURE	Deg. °C	-25° + 85°
CASE MATERIAL		Brass

CYLINDRICAL MAGNETIC PROXIMITY SWITCHES

PART NUMBER
CTI302

Rev. No.	Revision Note	Date	Signature
B	Web Site 1999	1-5-99	RG

The Comus Group of Companies consist of:
Assemtech Europe
E. Bachem GmbH
Comus International
W. Gunther GmbH
Gunther Belgium
Gunther France
S.T.G.

As part of the company policy of continued product improvement, specifications may change without notice. Our sales office will be pleased to help you with the latest information on this product range and details of our full design and manufacturing service. All products are supplied to our standard conditions of sale otherwise agreed in writing.

© 1996 Copyright Comus Group of Companies