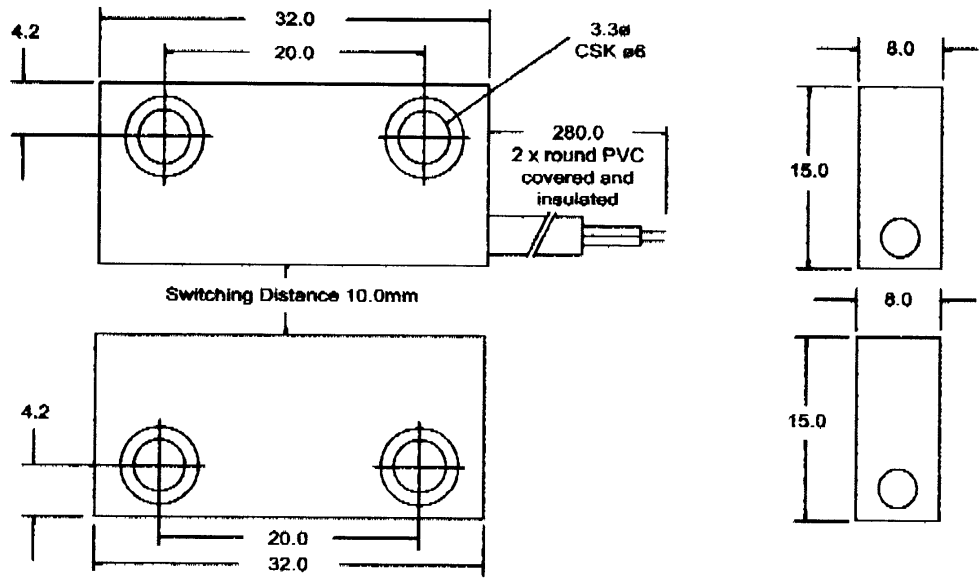


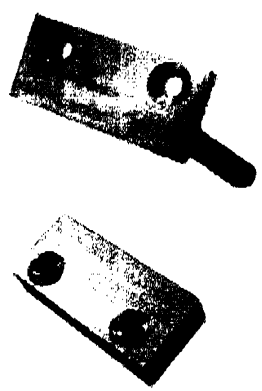
PRODUCT DATA SHEET
Proximity - Reed Switch - Rectangular - Metal **CTC 012**



Drawings not to scale
 All dimensions in mm nominal

CTC 012M Magnet

SPECIFICATION		
CONTACT FORM		Normally Open
SWITCHING VOLTAGE	Max. Vac	200
SWITCHING CURRENT	Max. A	0.5
SWITCHING CAPACITY (resistive)	Max. VA	10
CONTACT RESISTANCE	Max. mΩ	300
SWITCHING DISTANCE	Min. mm	10
OPERATING TEMPERATURE	Deg. °C	-20° +85°
STORAGE TEMPERATURE	Deg. °C	-25° +85°
CASE MATERIAL		Aluminium



Designed for use in control circuits or security systems.
 These switches are strongly constructed and fitted with reed switch contacts

Rev. No.	Revision Note	Date
A	Web Site 2002	1-2-02

As part of the company policy of continued product improvement, specifications may change without notice. Our sales office will be pleased to help you with the latest information on this product range and details of our full design and manufacturing service. All products are supplied to our standard conditions of sale otherwise agreed in writing.



©2002
 Active Switch & Sensor Limited