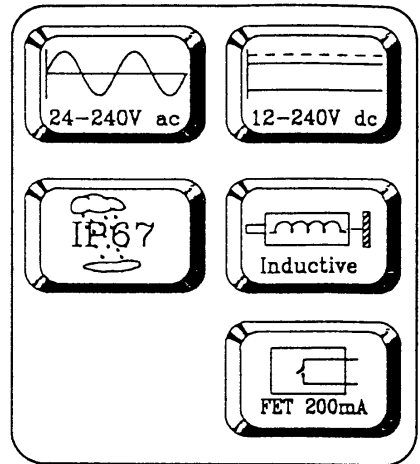
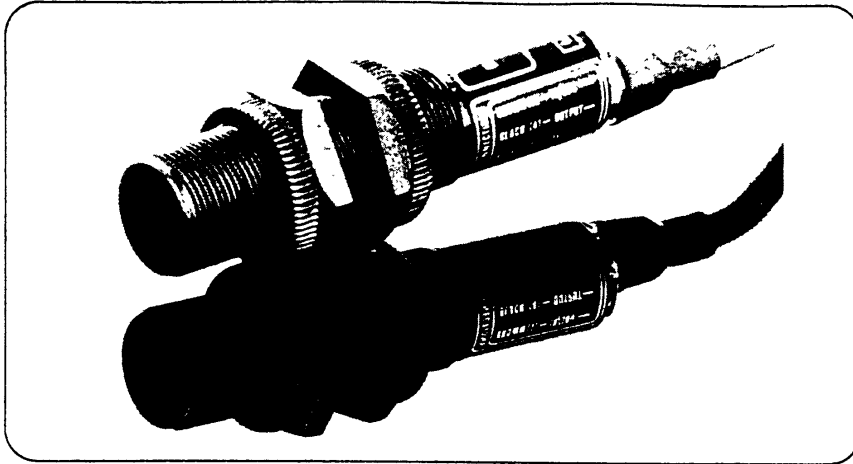
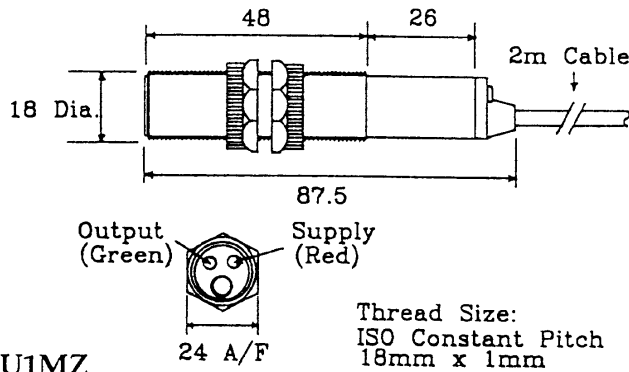


7059220

ROTASTOP - Self-contained Stopped Motion Monitor Datasheet No:-D3300A



DIMENSIONS



SU1MZ

STANDARD UNIT
SU1MZ

The ROTASTOP sensor type SU1MZ is a low cost self contained stopped motion monitor which detects that rotating machinery has stopped. It requires no contact with the shaft, has no moving parts and operates on virtually any supply voltage.

The ROTASTOP is ideal for monitoring chain or gear driven machinery such as gear box drives, screw conveyors etc. but is suitable for almost any application where stoppage detection is needed.

The unit is a two wire device and hence may be used to replace mechanical sensors where a two wire system already exists, and in new applications, it greatly simplifies installation.

An inbuilt start-up delay eliminates the need for internal timers and associated equipment.

- * *Self Contained, No Moving Parts.*
- * *Universal Voltage, Two Wire Operation.*
- * *Simple Low Cost Installation.*
- * *No Contact with Shaft.*

SYNATEL

Walsall Road, Norton Canes, Cannock,
Staffordshire, England. WS11 3TB
Tel: (0543) 277003 Fax: (0543) 271217

SPECIFICATION

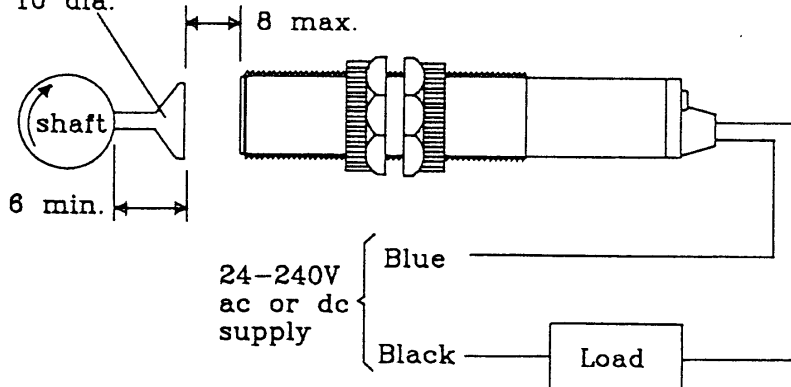
SUPPLY	24-240V ac, 12-240V dc.
OPERATING TEMPERATURE	-15 to +60°C.
OPERATING SPEED	10 - 3,600 Pulses per Minute.
I P RATING	IP67.
OPERATING DISTANCE	8mm max, ferrous metal.
TARGET	18mm threaded min to achieve maximum range.
OUTPUT STATE	Output energised when shaft running.
ENCLOSURE	18mm threaded body moulded in polycarbonate.
TIME DELAY	1 second or 5 seconds.
START-UP DELAY	On application of supply. Output energises for duration of time delay.
CABLE	2 metres 2 core PVC sheathed cable provided, may be extended as required..
OUTPUT	Normally closed above set speed (max current 200mA. Volt drop 8V max).
INDICATION	LED indication of input pulses and output energised.
WEIGHT	100gms.

HOW TO ORDER:-

SPECIFY ROTASTOP TYPE SU1MZ. (SPECIFY TIME DELAY REQUIRED, 1 SECOND OR 5 SECONDS).

CONNECTIONS

Ferrous stud
or bracket.
10 dia.



Note: The load must have the same voltage rating as supply being used.



Detection & Control
in action

E.A.O.E.

SYNATEL©: We reserve the right to alter specifications without prior notification.

>:D3300A