

# Rectangular Type

AC; AC/DC

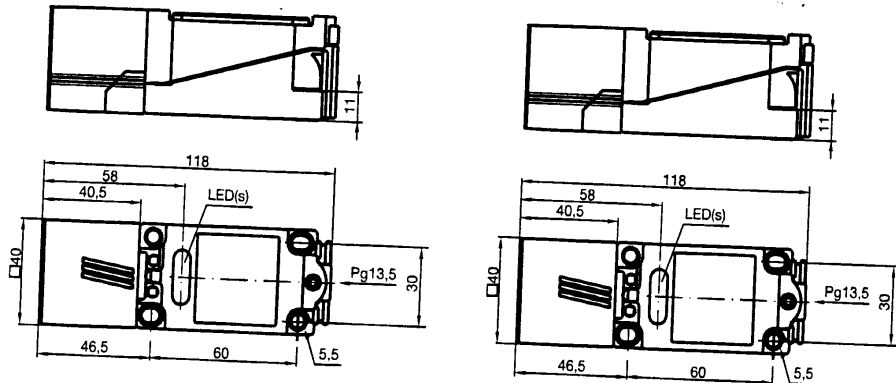
254-435

2-/3-wire

Standard series

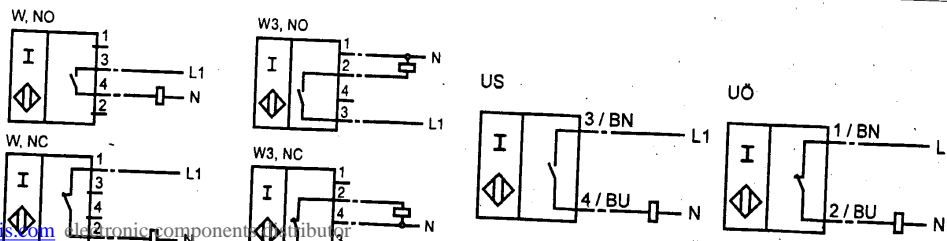
15 mm embeddable

20 mm not embed.



Operating dist. s <sub>n</sub> , mounting		15 mm, embeddable	15 mm, embeddable	20 mm, not embedd.	20 mm, not embedd.
AC	Make/Break function	NJ15+U1+W		NJ20+U1+W	
	3-wire	NJ15+U1+W3		NJ20+U1+W3	
AC/DC	Make function	NJ15+U1+US		NJ20+U1+US	
	Break function	NJ15+U1+UÖ		NJ20+U1+UÖ	
Assured operat. dist. s <sub>a</sub> [mm]		0 ... 12,15	0 ... 12,15	0 ... 16,2	0 ... 16,2
Reduction factor	r <sub>V2A</sub>	0,75	0,85	0,8	0,85
	r <sub>AI</sub>	0,3	0,4	0,35	0,4
	r <sub>Cu</sub>	0,25	0,3	0,35	0,3
Operating voltage U <sub>B</sub>	[V]	20 ... 253	20 ... 253	20 ... 253	20 ... 253
Operating voltage DC	[V]	- ... -	20 ... 300	- ... -	20 ... 300
Operational current I <sub>L</sub>	[mA]	8...500	8...500	8...500	8...500
Switching frequency	[Hz]	20	25	20	25
No-load supply current	[mA]	-	-	-	-
Off-state current I <sub>R</sub>	[mA]	1,95	2,5	1,95	2,5
Short time c. 20ms,0,1Hz	[mA]	3000	4000	3000	4000
Voltage drop	[V]	12	5	12	5
Short circuit protection		-	pulsing	-	5
Reverse polarity protection		-	-	-	pulsing
Output indicator		LED, yellow	LED, yellow	LED, yellow	LED, yellow
Operating temperature	[°C]	-25 ... 70	-25 ... 70	-25 ... 70	-25 ... 70
In compliance with		EN60947-5-2	EN60947-5-2	EN60947-5-2	EN60947-5-2
Protection to DIN 40050		IP 67	IP 68	IP 67	IP 68
Connection		terminal compartment	terminal compartment	terminal compartment	terminal compartment
Conductor cross section		up to 2,5 mm <sup>2</sup>	up to 2,5 mm <sup>2</sup>	up to 2,5 mm <sup>2</sup>	up to 2,5 mm <sup>2</sup>
Housing material		PBT	PBT	PBT	PBT

Standard symbol / connection



uctive sensors