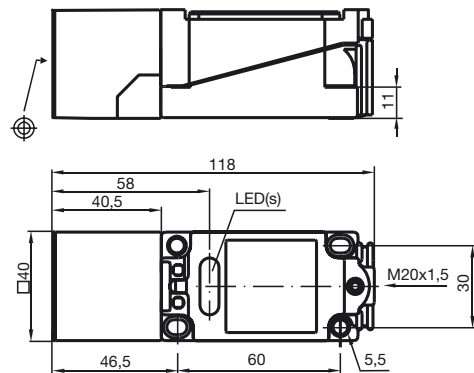


Comfort series
15 mm embeddable



General specifications	
Switching element function	PNP Make function
Rated operating distance s_n	15 mm
Installation	embeddable
Assured operating distance s_a	0 ... 12,15 mm
Reduction factor r_{Al}	0,3
Reduction factor r_{Cu}	0,25
Reduction factor r_{V2A}	0,75
Nominal ratings	
Operating voltage U_B	10 ... 60 V
Switching frequency f	0 ... 150 Hz
Hysteresis H	1 ... 10 typ. 5 %
Reverse polarity protection	Protected against reverse polarity
Short-circuit protection	pulsing
Voltage drop U_d	$\leq 2,8$ V
Design data	
Operating current I_L	0 ... 200 mA
Off-state current I_r	0 ... 0,5 mA typ. 0,01 mA
No-load supply current I_0	≤ 10 mA
Operating voltage display	LED, green
Indication of the switching state	LED, yellow
Standard conformity	
Standards	EN 60947-5-2:2004
Ambient conditions	
Ambient temperature	-25 ... 70 °C (248 ... 343 K)
Storage temperature	-25 ... 85 °C (248 ... 358 K)
Mechanical specifications	
Connection type	terminal compartment
Core cross-section	up to 2.5 mm ²
Housing material	PBT
Sensing face	PBT
Protection degree	IP68

Connection type:

