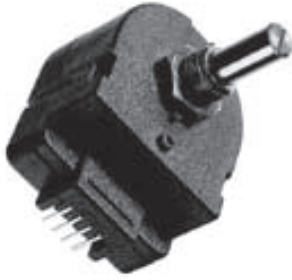


Full 360° Smart Position Sensor



FEATURES

- Ratiometric output over 360° range with no dead band
- Self-contained package not requiring external electronic interface
- Angular response 50μ secs
- Reverse polarity protection
- Absolute and non volatile positioning output

The model 601-1045 represents a new generation of Smart Sensors. This unique electronic device is a self-contained package which provides an analogue electrical output over a full 360° without the need of external electronics. The low power consumption and non-volatile output makes this universal sensor the real cost-effective alternative to encoders. It's versatile design makes it suitable for a variety of industries and applications, such as CCTVs, Medical Instruments, Robotic arm control, CNC machinery, Rotational control systems, Pick n' place machines and Angular feedback applications.

STANDARD ELECTRICAL SPECIFICATIONS

PARAMETER	
Supply	4.5 to 5.5VDC
Supply Current	20mA maximum
Absolute Maximum Supply	6V
Independant Linearity	± 1% Typical
Resolution	Resolves down to a minimum of 0.5°
Electrical Track	360° continuous
Analogue Voltage Output	Not less than 90% of supply (ratiometric) - see graphs on next page
Output Ramp Slope	Electrically switchable - see graphs P157
Output Impedance	1Ω typical
Temperature Characteristic	±1° max. over - 40/+ 70°C
Insulation Resistance	1000MΩ minimum
Dielectric Strength	1000V _{RMS} , 50/60Hz

MECHANICAL SPECIFICATIONS

Rotation	360° continuous
Rotational Speed	5 maximum revs/sec (duration 60 secs)
Operating Torque Maximum	3.68 (0.5) mNm (oz in)
Weight	30gm

ENVIRONMENTAL SPECIFICATIONS

Operating Life	5,000,000 Cycles
Operating Temp. Range	- 40°C to + 70°C
Storage Temp. Range	-40°C to + 105°C
Sealing	IP54

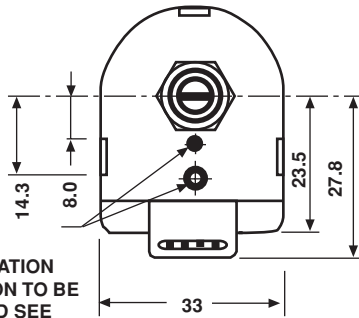
ORDERING INFORMATION

601-1045
MODEL

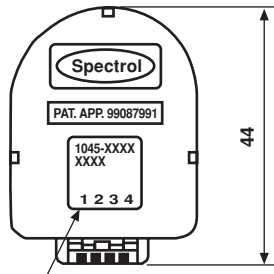
XXXX
STANDARD
CONFIGURATION
CODE

Example: 601 - 1045 - XXXX

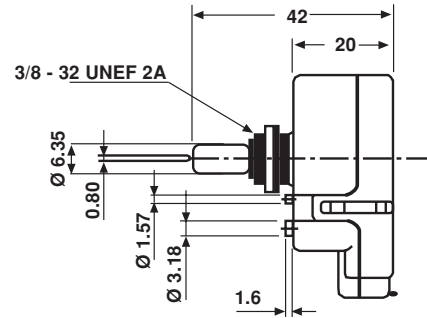
PRODUCT NUMBER	∅ 1.57 PIN	∅ 3.18 PIN
0000	Yes	Yes
0001	Yes	-
0002	-	Yes
0003	-	-

DIMENSIONS in millimeters


ANTI-ROTATION
PIN OPTION TO BE
SPECIFIED SEE
ORDERING
INFORMATION



PRODUCT NO. DATE
CODE AND TERMINAL
I.D. LABEL

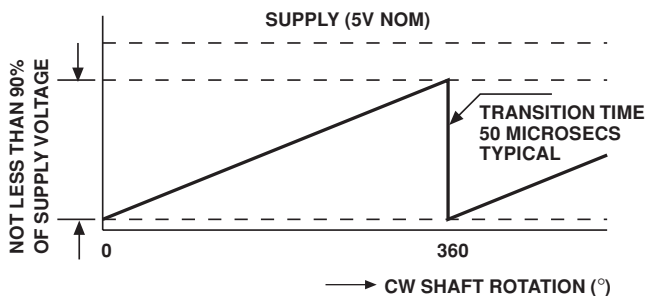
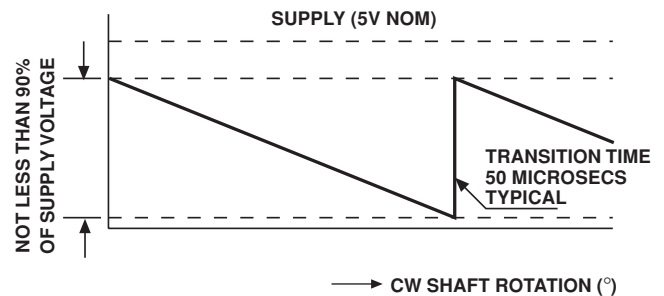


PIN CONNECTIONS		FUNCTION
1	+ 5V	Supply
2	0V	
3	Output	O/P Voltage
4	Direction	Ramp Polarity

MATERIAL SPECIFICATIONS	
Housing	Plastic
Bushing	Brass, nickel plated
Shaft	Stainless steel
Pin Terminal Connector	Gold Plated
Output Connection	Pin header to suit IDC connectors. e.g. Panduit C100 - F22 and Molex 7880
Bushing Mount Hardware	
Lock Washer, Internal Tooth	Steel, nickel plated
Panel Nut	Brass, nickel plated



CABLE ASSEMBLY FOR CONNECTION	
Part Number	601-1056-0000
Description	Molex KK
	4-way crimp connector
	4 wire (250mm)


DEFAULT OUTPUT [Terminal #4 Open-Circuit]

REVERSE SLOPE [Terminal #4 Connected to 0V]



Notice

Specifications of the products displayed herein are subject to change without notice. Vishay Intertechnology, Inc., or anyone on its behalf, assumes no responsibility or liability for any errors or inaccuracies.

Information contained herein is intended to provide a product description only. No license, express or implied, by estoppel or otherwise, to any intellectual property rights is granted by this document. Except as provided in Vishay's terms and conditions of sale for such products, Vishay assumes no liability whatsoever, and disclaims any express or implied warranty, relating to sale and/or use of Vishay products including liability or warranties relating to fitness for a particular purpose, merchantability, or infringement of any patent, copyright, or other intellectual property right.

The products shown herein are not designed for use in medical, life-saving, or life-sustaining applications. Customers using or selling these products for use in such applications do so at their own risk and agree to fully indemnify Vishay for any damages resulting from such improper use or sale.