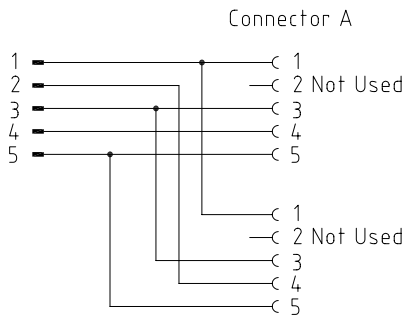


Circuit Diagram

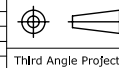


Specification.

Insert Material – PUR
 Contact Material – Brass
 Contact Plating – Au/Ni
 Coupling Nuts – Brass, Nickel Plated
 Seal – Viton O-Ring
 Protection Class – IP68
 Voltage Rating – 30V AC, 36V DC
 Current Rating – 4 Amps
 Overmoulding – PUR

Connector B

N/A	A	JDW	NEW DRAWING	20.06.08	JDW
ECN	Rev	By	Descriptions	Date	Approved



This drawing and its contents are the proprietary and confidential property of Woodhead Industries Inc. and/or its subsidiaries and may not be used or disclosed to others without the express prior written consent of Woodhead Industries Inc. and/or its subsidiaries.

Applicable Standards ASME Y14.5M ISO 1660	
NAME	DATE
Drawn	JDW 20.06.08
Checked	RAW 20.06.08
Approved	JDW 20.06.08

Material	Dimensions in MM 0,0 ± 0,25mm 0,00 ± 0,10mm 0,000 ± 0,025mm Angles ± 1°
Finish	CLEAN

Part No.	885A30A4	Size	A4
Description	Y SPLITTER-MMC-5P-MM/2XFE		
Drawing No.	885A30	Rev	A
Scale	NTS	1/1	