



Single-Ended Cordsets

#16 AWG yellow ST00W cable – U.S. color code
 Oil-resistant PVC jacket
 Low-resistance contact design with gold/palladium nickel plating

| | 2P | 3P | 4P | 5P | 6P |
|------------------|----------------------|--------------------------------------|--|---|--|
| FEMALE FACE VIEW | | | | | |
| COLOR CODE | 1- white 2- black | 1- green-gnd 2- black 3- white | 1- black 2- white 3- red 4- green-gnd | 1- white 2- red 3- green-gnd 4- orange 5- black | 1- white 2- red 3- green-gnd 4- orange 5- black 6- blue |
| VOLTAGE | 600V AC/DC | 600V AC/DC | 600V AC/DC | 600V AC/DC | 600V AC/DC |
| CURRENT | 13A | 13A | 10A | 8A | 8A |
| CONDUCTOR | #16-2 | #16-3 | #16-4 | #16-5 | #16-6 |

| FEMALE | FIG | SINGLE-ENDED CORDSETS WITH #16 AWG ST00W CABLE 3 FEET LONG | | | | |
|--------------------|-----|--|---------------|---------------|---------------|---------------|
| STRAIGHT | 1 | 102000A01F030 | 103000A01F030 | 104000A01F030 | 105000A01F030 | 106000A01F030 |
| 90° | 2 | 102001A01F030 | 103001A01F030 | 104001A01F030 | 105001A01F030 | 106001A01F030 |
| MATING RECEPTACLE* | 5 | 1R2006A20A120 | 1R3006A20A120 | 1R4006A20A120 | 1R5006A20A120 | 1R6006A20A130 |
| MALE | FIG | SINGLE-ENDED CORDSETS WITH #16 AWG ST00W CABLE 3 FEET LONG | | | | |
| STRAIGHT | 3 | 102002A01F030 | 103002A01F030 | 104002A01F030 | 105002A01F030 | 106002A01F030 |
| 90° | 4 | 102003A01F030 | 103003A01F030 | 104003A01F030 | 105003A01F030 | 106003A01F030 |
| MATING RECEPTACLE* | 5 | 1R2004A20A120 | 1R3004A20A120 | 1R4004A20A120 | 1R5004A20A120 | 1R6004A20A120 |

CATALOG OPTIONS

*See Page 46 for additional Mating Receptacles

Use the following chart to modify your part's specifications

102000A01F0301

CABLE LENGTH

| | |
|-----|-----|
| 6' | 060 |
| 12' | 120 |
| 15' | 150 |
| 20' | 200 |
| 25' | 250 |
| 30' | 300 |

COUPLING NUT

| | |
|-----------------|------------|
| STAINLESS STEEL |ADD 1 |
| NON-METALLIC |ADD 2 |

Specifications

CONNECTOR DIMENSIONS

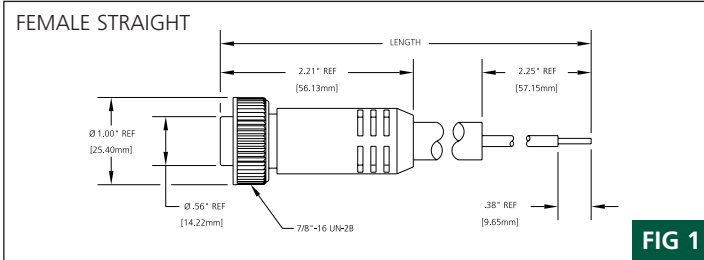


FIG 1

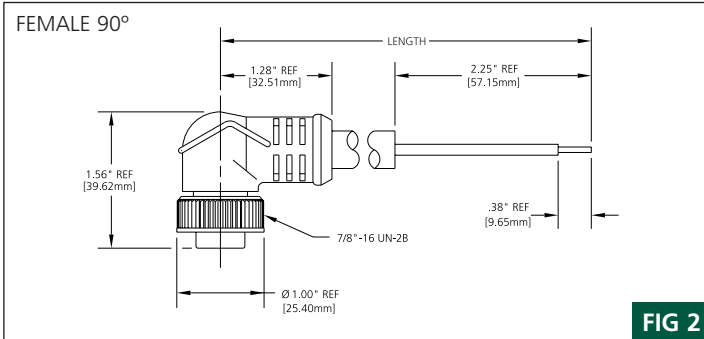


FIG 2

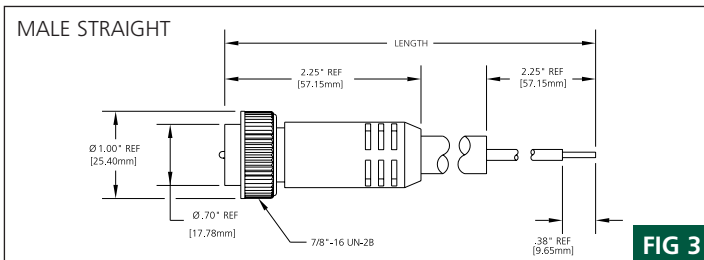
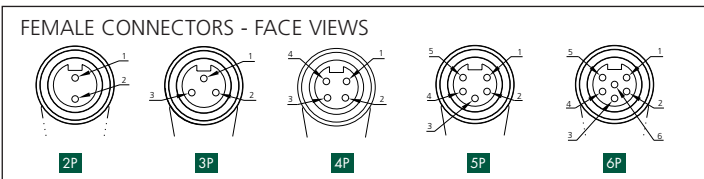


FIG 3

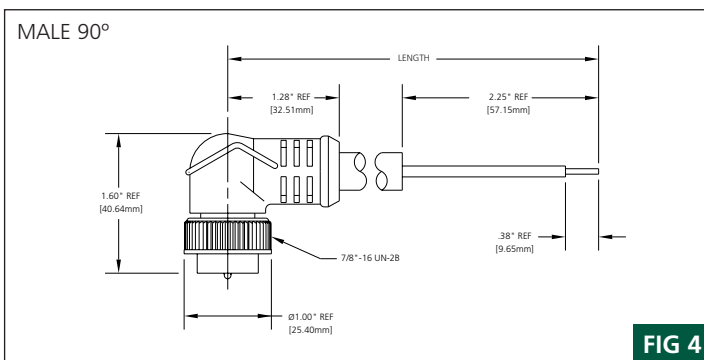
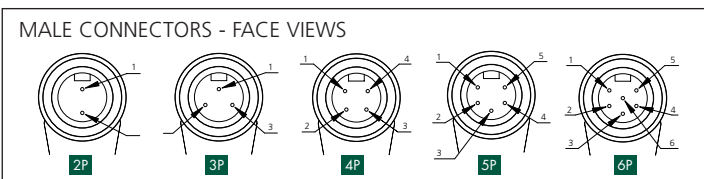


FIG 4



- MECHANICAL**
 CONNECTOR FACE: PVC - UL STD 94 - V0
 MOLDED BODY: PVC - UL STD 94 - V0
 COUPLING NUT: ZINC DIECAST W/ BLACK EPOXY E-COAT, OPTIONAL STAINLESS STEEL TYPE 303 OR NON-METALLIC GRAY NYLON 6/6
- CABLE:**
 YELLOW, #16 AWG, PVC JACKET, PVC CONDUCTOR INSULATION OVER 65 X #34 COPPER STRANDING, UL ST00W CSA ST
- CABLE DIAMETER:**
 2P - .37" (9.4mm)
 3P - .41" (10.4mm)
 4P - .42" (10.7mm)
 5P - .50" (12.7mm)
 6P - .54" (13.7mm)
- ELECTRICAL**
 VOLTAGE RATING: 600V AC/DC
 AMPERAGE:
 2P - 13A
 3P - 13A
 4P - 10A
 5P - 8A
 6P - 8A
- ENVIRONMENTAL**
 PROTECTION: IP 68 NEMA 6P
 AMBIENT OPERATING TEMP: -4° TO 221° F (-20° TO 105° C)
- CERTIFICATIONS**
 UL: UL RECOGNIZED, FILE NO. E46237
 CSA: CSA CERTIFIED, FILE NO. LR6837

RECEPTACLE DIMENSIONS

MALE RECEPTACLE WITH 1/2" - 14NPT THREADS
 FEMALE STRAIGHT WITH 1/2" - 14NPT THREADS
 SEE PAGE 46 FOR ADDITIONAL RECEPTACLES

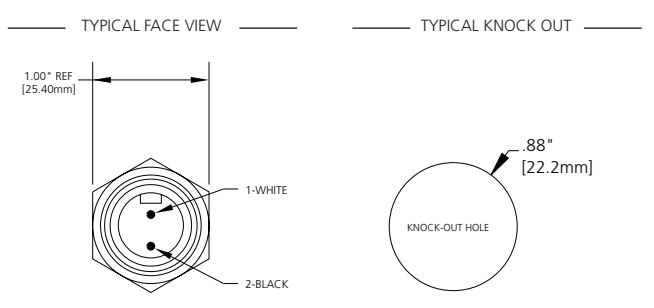
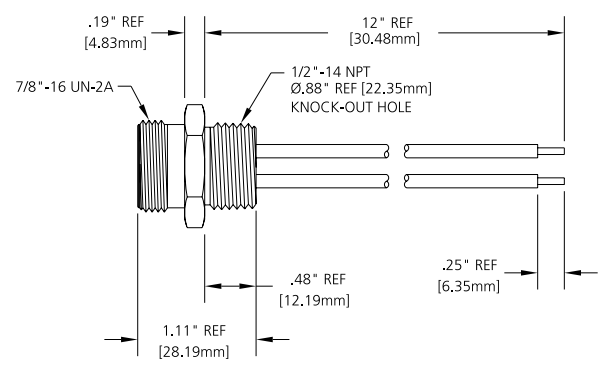


FIG 5

