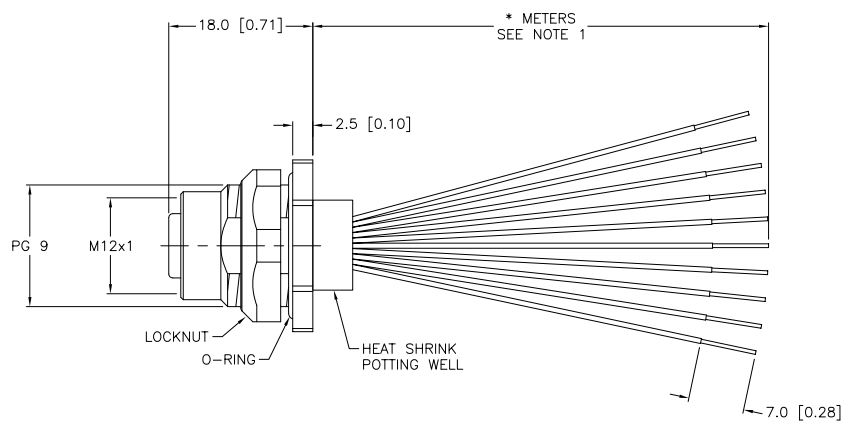
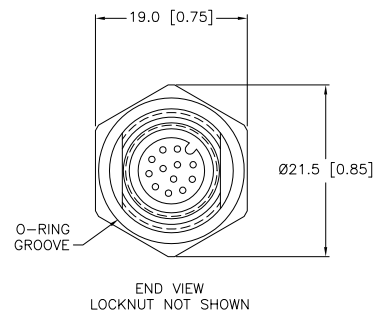


| SPECIFICATIONS | |
|----------------------------|-----------------------------------|
| CONTACT CARRIER MATERIAL | NYLON |
| CONTACT MATERIAL/PLATING | GOLD-PLATED BRASS |
| RATED CURRENT [A] | 2.0 A |
| RATED VOLTAGE [V] | 60 VAC/75 VDC |
| HOUSING/LOCKNUT MATERIAL | NICKEL-PLATED BRASS |
| NUMBER OF CONDUCTORS [AWG] | 10x24 AWG |
| TEMPERATURE RATING | -40°C to +105°C (-40°F to +221°F) |
| PROTECTION CLASS | MEETS NEMA 1,3,4,6P AND IEC IP68 |



| CABLE LENGTH | TOLERANCE |
|--------------|---|
| ALL LENGTHS | + 4% (OR 50mm) OF LENGTH - 0% (OR 0mm) OF LENGTH WHICHEVER IS GREATER |
| STRIP LENGTH | TOLERANCE |
| 0-7mm | ±0.5mm |
| 8-29mm | ±1.0mm |
| 30-49mm | ±2.0mm |
| 50-69mm | ±3.0mm |
| 70-100mm | ±4.0mm |
| OVER 100mm | ±5.0mm |

SOURCE DRAWING - FOR REFERENCE ONLY

NOTES:
1. "*" INDICATES LEAD LENGTH IN METERS. CONTACT TURCK TO ORDER SPECIFIC LENGTHS.

| | | | |
|---|---|---|---|
| RELATED DOCUMENTS 1. 2. 3. 4. | 3RD ANGLE PROJECTION | THIS DRAWING IS PROPERTY OF TURCK INC. USE OF THIS DOCUMENT WITHOUT WRITTEN PERMISSION IS PROHIBITED. | 3000 CAMPUS DRIVE MINNEAPOLIS, MN 55441 1-800-544-7769 (763) 553-7300 (763) 553-0708 fax turck.com |
| MATERIAL SEE SPECIFICATIONS | ALL DIMENSIONS DISPLAYED ON THIS DRAWING ARE FOR REFERENCE ONLY CONTACT TURCK FOR MORE INFORMATION | DRFT RDS DATE 10/24/03 | DESCRIPTION FKFD 10-* |
| FINISH SEE SPECIFICATIONS | | DSGN SCALE 1=.8 | IDENTIFICATION NO. REV C |
| | | UNIT OF MEASUREMENT MILLIMETER [INCH] | DO NOT SCALE THIS DRAWING |
| | | FILE: 777002678 | SHEET 1 OF 1 |

| | | | | |
|-----|------------------------------|----|----------|---------|
| C | ADD HEAT SHRINK POTTING WELL | TR | 04/01/09 | 25713 |
| REV | DESCRIPTION | BY | DATE | ECO NO. |