

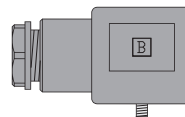
TURCK

Industrial Connectivity Products



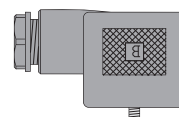
V*fast® Valve Connectors, Field Wireable

- Convert Hard Wiring Into Quick Disconnect
- Facilitate Field Replacements



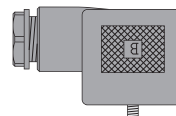
"A" Style Valve Connector

Application	Specifications	Straight Wired
"A" Style Valve Connector	0-220 VAC/DC, 10 A	VAS 3-AW



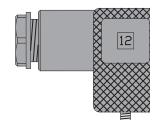
"B" Style Valve Connector

Application	Specifications	Straight Wired
"B" Style Valve Connector	0-220 VAC/DC, 10 A	VBS 2-AW



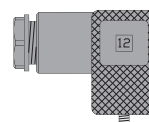
"I" Style Valve Connector

Application	Specifications	Straight Wired
"I" Style Valve Connector	0-220 VAC/DC, 10 A	VIS 2-AW



"C" (8 mm) Style Valve Connector

Application	Specifications	Straight Wired
"C" (8 mm) Style Valve Connector	0-220 VAC/DC, 10 A	TC8S 2-AW



"C" (9.4 mm) Style Valve Connector

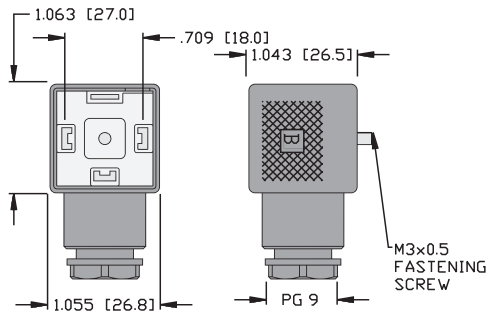
Application	Specifications	Straight Wired
"C" (9.4 mm) Style Valve Connector	0-220 VAC/DC, 10 A	TC9S 2-AW

Specifications

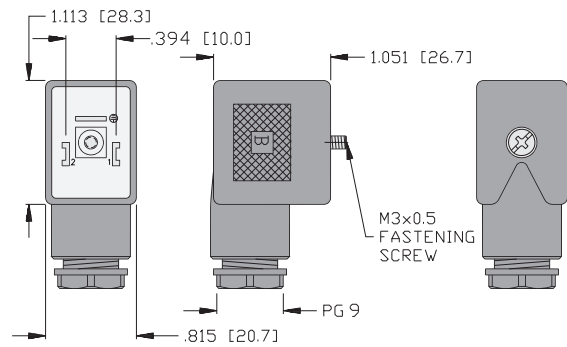
Housing:	Nylon, black.
Connector:	Nylon, black.
Gasket:	Nitrile.
Contacts:	Nickel plated brass.
Terminals:	Screw terminals, conductors to 14 AWG.
Cable Gland:	PG 9 accepts cable diameter 6-8 mm. PG 7 accepts cable diameter 4-6 mm.
Temperature:	-25°C to +90°C (-13°F to +194°F).
Protection Class:	NEMA 4,6P and IEC IP 65.

Dimensions

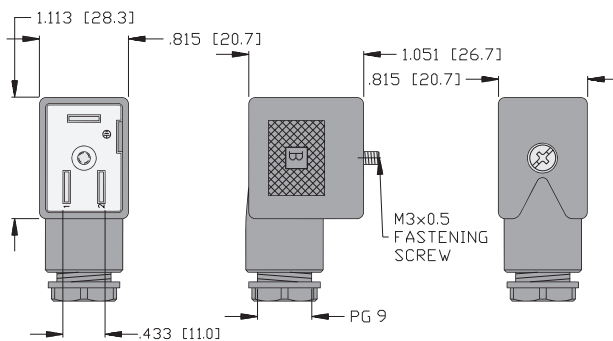
VAS 3-AW



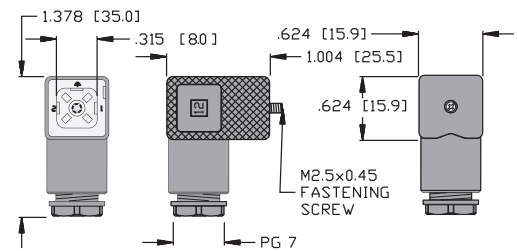
VBS 2-AW



VIS 2-AW



TC8S 2-AW



TC9S 2-AW

