

Sensor Adjuster E39-L93□/E39-L150/E39-L151

Cover Fittings E39-L97/E39-L98

CSM_E39-L_DS_E_4_1

Easy to Adjust for the Required Application with a Broad Range of Variations

- Easy to install and adjust on an aluminum frame or track.
- Tough design includes sturdy Cover Fittings for Sensor protection.
- Applicable models: E3Z,
E3S-R1□/R3□,
E3S-R6□/R8□



Ordering Information

Appearance	Name	Model	Applicable models					
			E3Z	E3S-R1□/R3□	E3S-R6□/R8□	E39-R1	E39-R3	
	Sensor Adjuster *1	Horizontal mounting, flexible type	E39-L93FH	Yes	Yes	Yes	Yes *2	Yes
		Vertical mounting, flexible type	E39-L93FV	Yes	Yes	Yes	Yes *2	Yes
		Horizontal mounting, fixed type	E39-L93H	Yes	Yes	Yes	Yes *2	Yes
		Vertical mounting, fixed type	E39-L93V	Yes	Yes	Yes	Yes *2	Yes
		Shaft with XY joint	E39-L93XY	---	---	---	---	---
	Sensor Adjuster *1	E39-L150	Yes	Vertical type only Yes	Vertical type only Yes	---	Yes	
		E39-L151	Yes	Vertical type only Yes	Vertical type only Yes	---	Yes	
	Mounting Attachments for the E39-L93□ and E39-R1	E39-L96	---	---	---	Yes	---	
	Cover Fitting for horizontal type	E39-L97	---	Yes	---	---	---	
	Cover Fitting for vertical type	E39-L98	Yes	---	Yes	---	---	

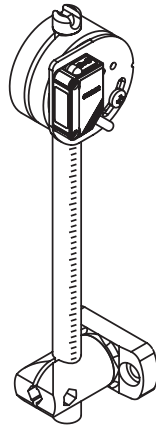
*1. The Sensor Adjuster does not include the Sensor. Order the Sensor separately according to the required application.

*2. The E39-L96 can be used for mounting.

Easy Mounting and Adjustment on Aluminum Frames and Tracks of Conveyors

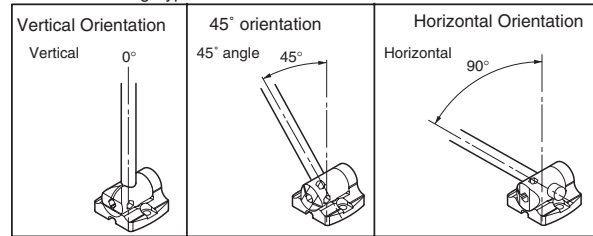
● E39-L93□ Sensor Adjuster

1. Set to any height up to 200 mm.
2. Fastens securely with M6 screws.

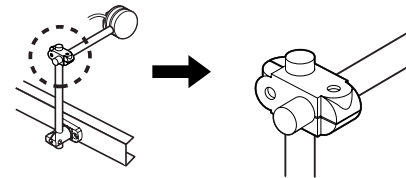


3. Variable pipe direction in increments of 45°

Flexible Mounting Types



4. Using a shaft with an XY joint enables detection from above the production line.

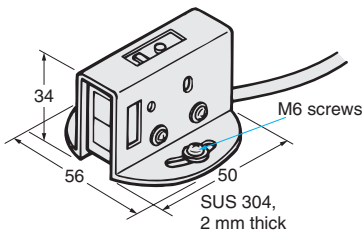


Tough Design Provides Strong, Durable Protection!

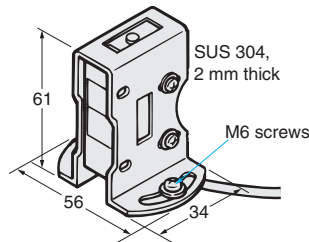
● E39-L97/E39-L98 Cover Fittings

1. M6 screws on both sides for strong mounting.
2. Stainless steel construction for excellent environmental resistance.
3. Models available for horizontal (E39-L97) and vertical (E39-L98) mounting.

E39-L97 (Horizontal)



E39-L98 (Vertical)



● Replacing E39-L93

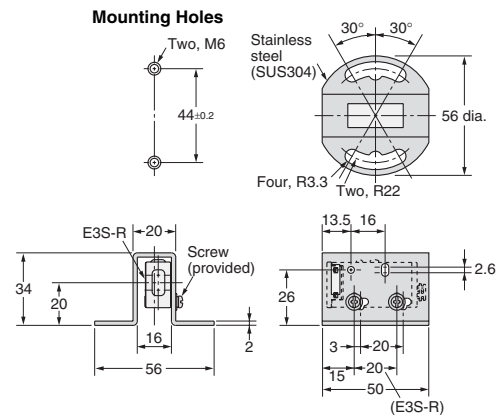
Mounting pitch compatibility	Horizontal mounting	E39-L93H
	Vertical mounting	E39-L93V
Flexibility compatibility (without mounting pitch compatibility)	Horizontal mounting	E39-L93FH
	Vertical mounting	E39-L93FV
Top mounting	E39-L93H E39-L93V E39-L93FH E39-L93FV	Use the following model together with the models indicated on the left. E39-L93XY

Dimensions

(Unit: mm)

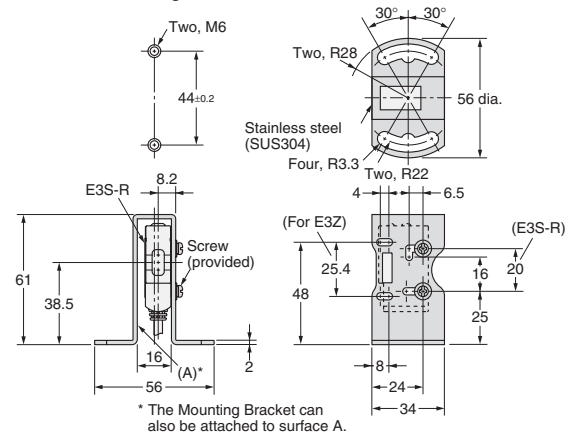
Tolerance class IT16 applies to dimensions in this datasheet unless otherwise specified.

E39-L97 (Horizontal)

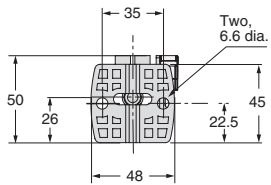
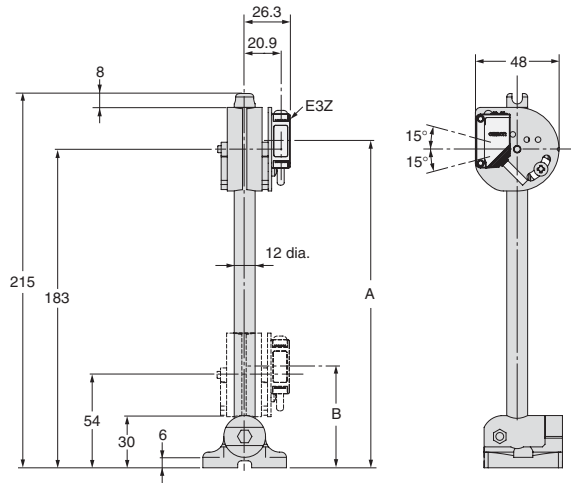


E39-L98 (Vertical)

Mounting Holes

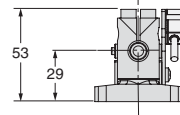
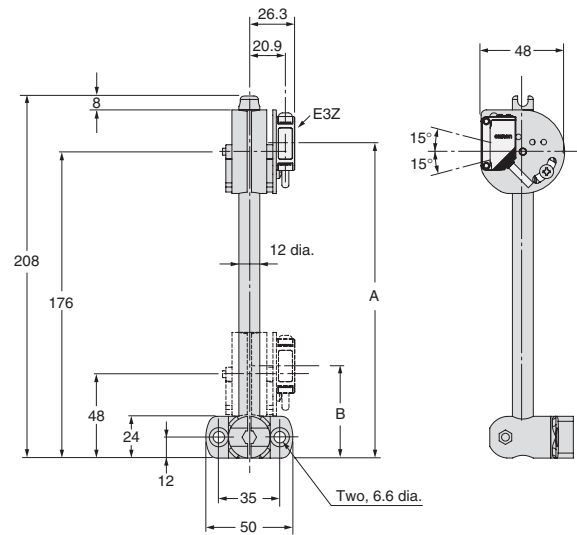


E39-L93FH



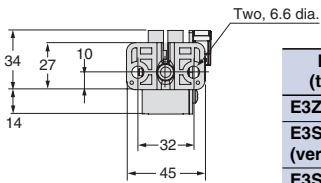
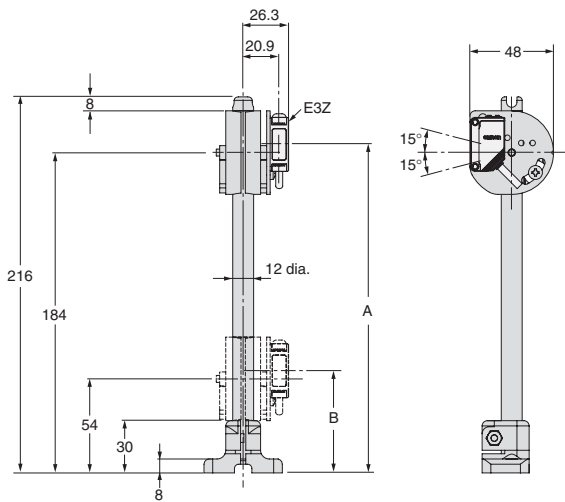
Model (typical)	A	B
E3Z	188	59
E3S-R (vertical)	190.3	61.3
E3S-R (horizontal)	197.6	68.6

E39-L93FV



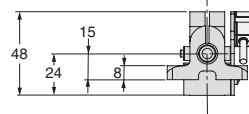
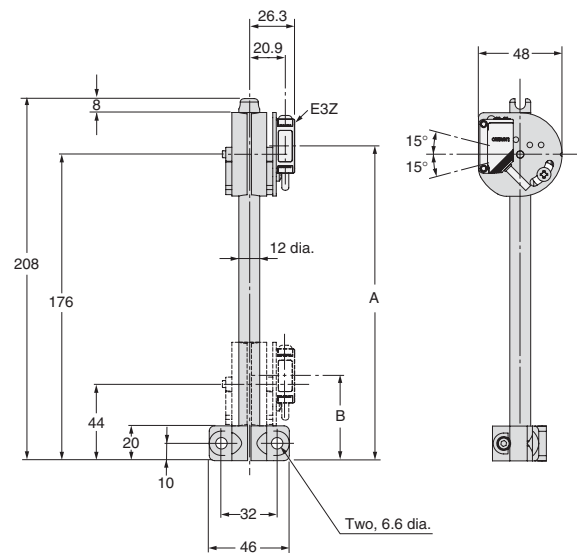
Model (typical)	A	B
E3Z	181	53
E3S-R (vertical)	183.3	55.3
E3S-R (horizontal)	190.6	62.6

E39-L93H



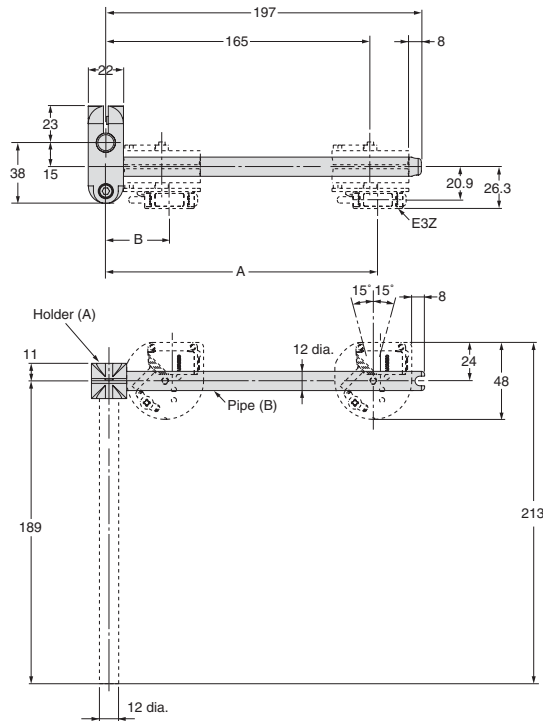
Model (typical)	A	B
E3Z	189	59
E3S-R (vertical)	191.3	61.3
E3S-R (horizontal)	198.6	68.6

E39-L93V



Model (typical)	A	B
E3Z	181	49
E3S-R (vertical)	183.3	51.3
E3S-R (horizontal)	190.6	58.6

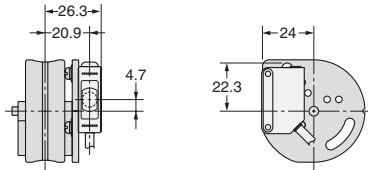
E39-L93XY



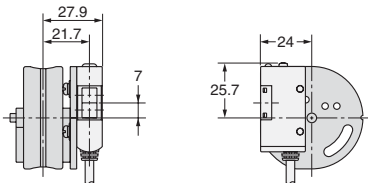
Model (typical)	A	B
E3Z	170	40
E3S-R (vertical)	172.3	42.3
E3S-R (horizontal)	179.6	49.6

Note: The E39-L93XY consists of only the one joint holder (A) and pipe (B), and the two hexagonal bolts and nuts. It cannot be mounted to the Sensor alone.

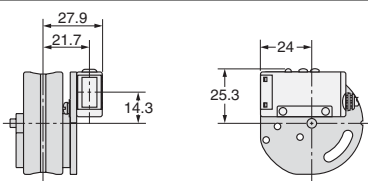
E3Z
+
E39-L93□



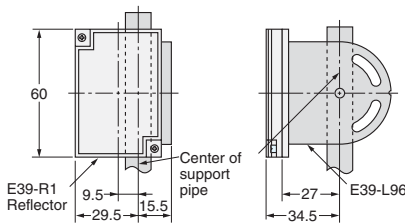
E3S-R (Vertical)
+
E39-L93□



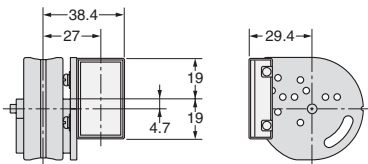
E3S-R (Horizontal)
+
E39-L93□



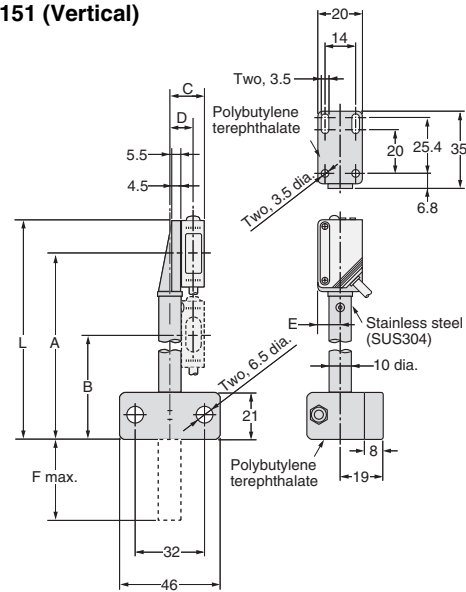
E39-R1 (Reflector)
+
E39-L93□
Note: E39-L96 required.



E39-R3 (Reflector)
+
E39-L93□



E39-L150 (Vertical)
E39-L151 (Vertical)



E39-L150

Model (typical)	A	B	C	D	E	F
E3S-R (vertical)	85.3	58	17.9	11.7	11.5	27.3
E3Z	84.5	47.5	16.3	10.9	10	37

Model	L
E39-L150	100
E39-L151	200