

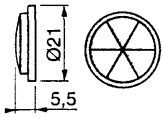
# Photo-electric detectors

## Accessories

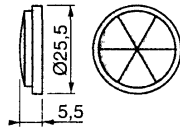
## Dimensions

References  
pages 2/118 to 2/120

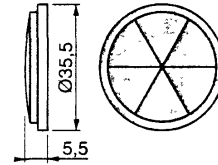
### Reflectors XUZ-C16



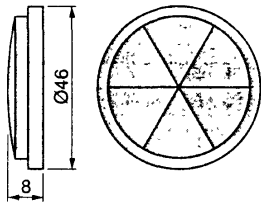
### XUZ-C21



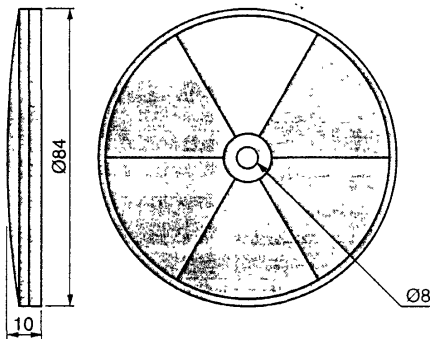
### XUZ-C31



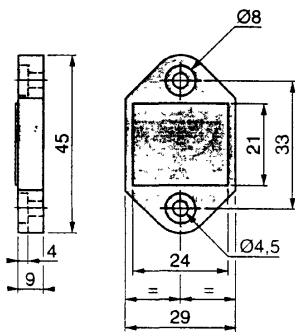
### XUZ-C39



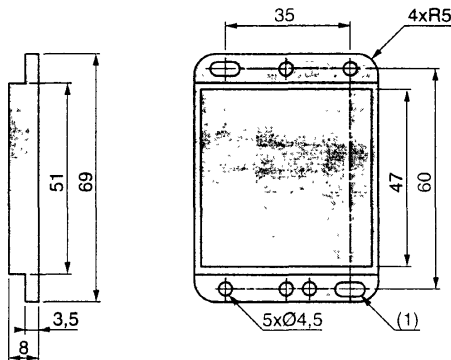
### XUZ-C80



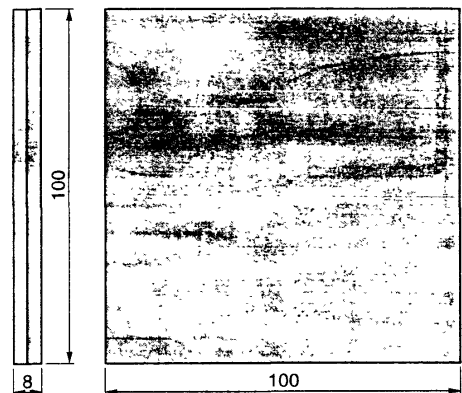
### XUZ-C24



### XUZ-C50



### XUZ-C100



(1) 2 elongated holes  $\text{Ø} 4 \times 8$