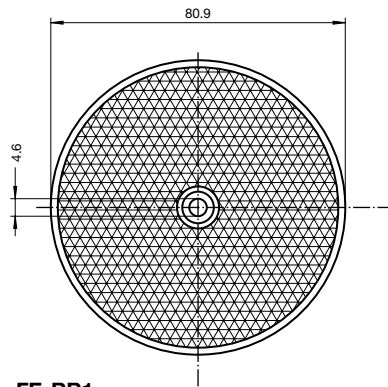


Dimensions in mm

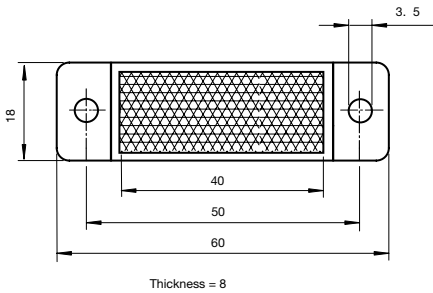
Reflectors

- Polarized retro-reflective sensors must use corner-cube reflectors.
- Micro-structure, corner-cube reflectors are used with laser retro-reflective sensors with short sensing distances.

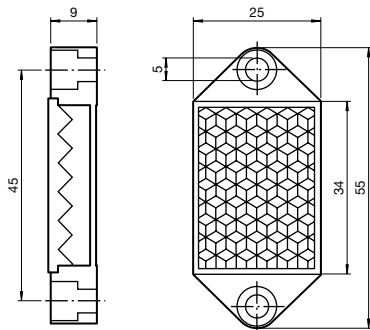
Thru-hole



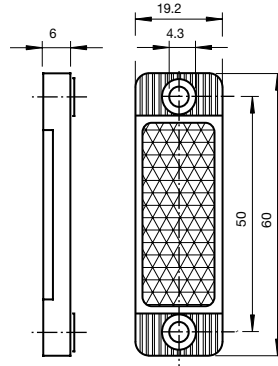
FE-RR1
Round, corner-cube reflector
Temperature range -4 °F to +150 °F



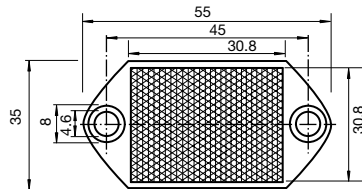
Reflector H160
Rectangular, corner-cube reflector
Temperature range -4 °F to +185 °F



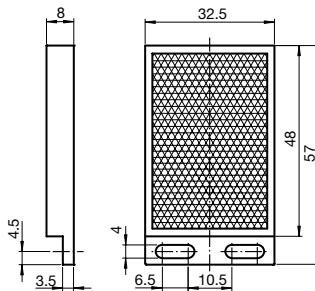
Reflector H32
Rectangular, corner-cube reflector
Temperature range -4 °F to +150 °F



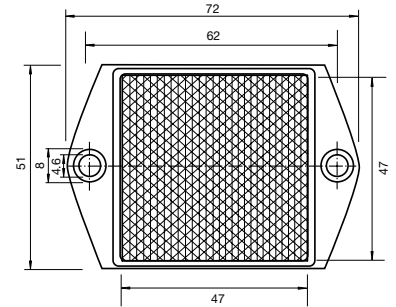
Reflector VR10
Rectangular, corner-cube reflector
Temperature range -4 °F to +140 °F



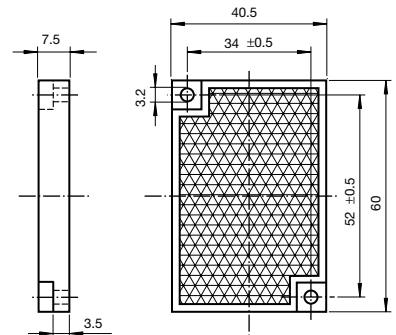
FE-RR15
Rectangular, corner-cube reflector
Temperature range -4 °F to +140 °F



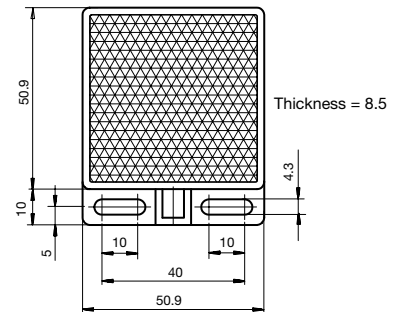
Reflector H48
Rectangular, corner-cube reflector
Temperature range -4 °F to +185 °F



FE-RR8
Rectangular, corner-cube reflector
Temperature range -4 °F to +140 °F



Reflector H60
Rectangular, corner-cube reflector
Temperature range -4 °F to +185 °F



Reflector H50
Square, corner-cube reflector
Temperature range -4 °F to +185 °F

Subject to modifications without notice

Pepperl+Fuchs Group USA: +1 330 486 0001
www.pepperl-fuchs.com fa-info@us.pepperl-fuchs.com

Germany: +49 621 776 0
fa-info@de.pepperl-fuchs.com

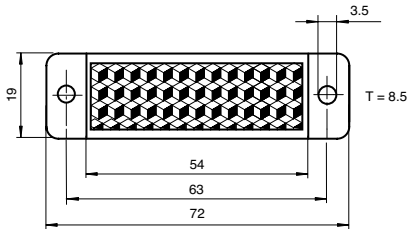
Copyright Pepperl+Fuchs
Singapore: +65 6779 9091
fa-info@sg.pepperl-fuchs.com

PEPPERL+FUCHS
SENSING YOUR NEEDS

Reflectors

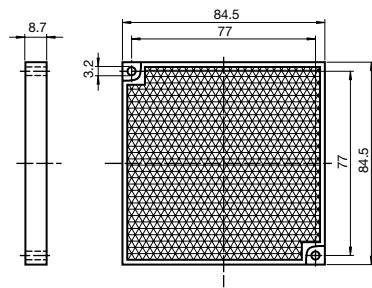
Dimensions in mm

Thru-hole (cont.)



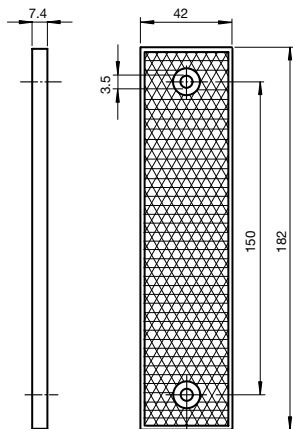
Reflector H72

Rectangular, corner-cube reflector
Temperature range -4 °F to +185 °F



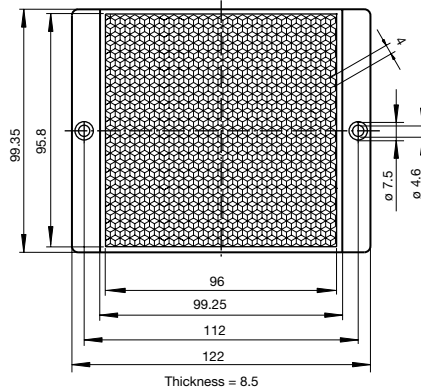
Reflector H85-2

Square, corner-cube reflector
Temperature range -4 °F to +185 °F



Reflector H180

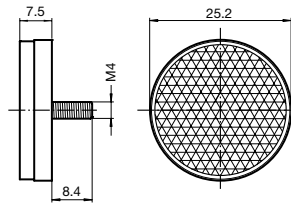
Rectangular, corner-cube reflector
Temperature range -4 °F to +185 °F



Reflector H100

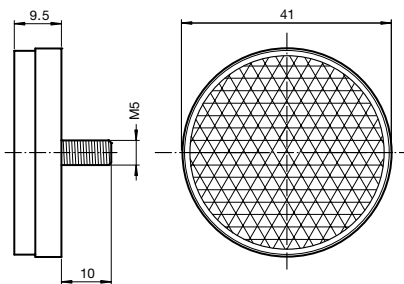
Square, corner-cube reflector
Temperature range -4 °F to +158 °F

Threaded Stud



Reflector S25

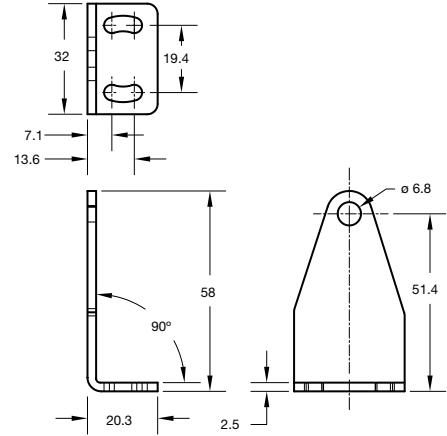
Round, corner-cube reflector
Includes M4 washer and nut
Temperature range -4 °F to +185 °F



Reflector S42

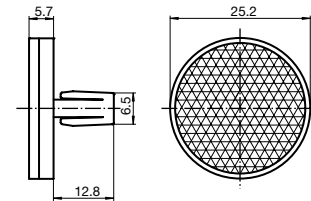
Round, corner-cube reflector
Includes M5 washer and nut
Temperature range -4 °F to +185 °F

Snap-in



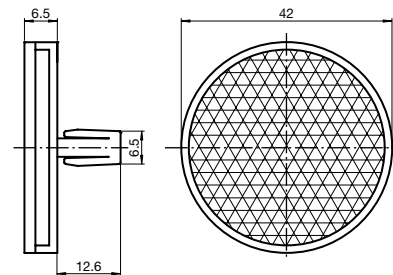
OMH-REFLECTOR-CLIP

Snap-in reflector mounting bracket
for all clip reflectors.
Made from 303 stainless steel



Reflector Clip25

Round, corner-cube reflector
Temperature range -4 °F to +185 °F



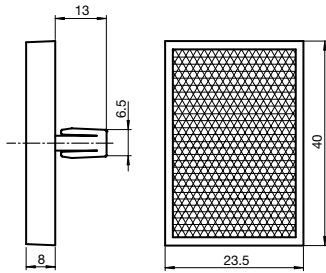
Reflector Clip42

Round, corner-cube reflector
Temperature range -4 °F to +185 °F

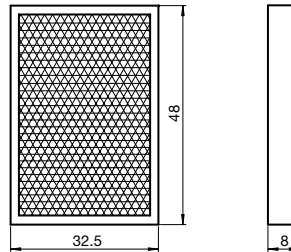
Subject to modifications without notice

Reflectors

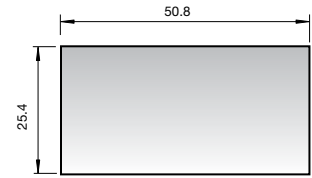
Dimensions in mm



Reflector Clip40
Rectangular, corner-cube reflector
Temperature range -4 °F to +185 °F

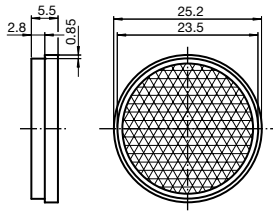


Reflector A48
Rectangular, corner-cube reflector
Temperature range -4 °F to +150 °F

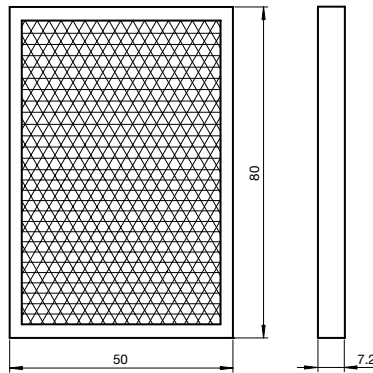


FE-RR7-Sheet
Rectangular, reflective foil.
Sheet of 18 reflective foils.
Individual foils cannot be cut.
Temperature range -40 °F to +176 °F

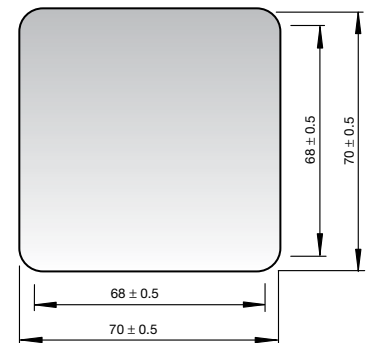
Self Adhesive



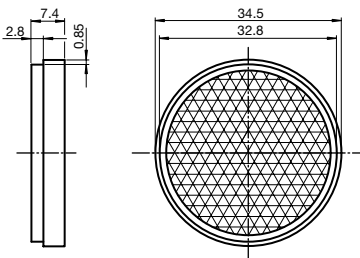
Reflector A25
Round, corner-cube reflector
Temperature range -4 °F to +150 °F



Reflector A80
Rectangular, corner-cube reflector
Temperature range -4 °F to +150 °F

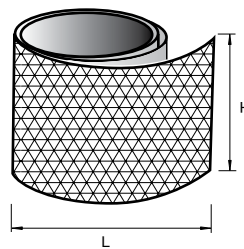


OFR 70-2
Square, reflective foil.
Sheet of 10 reflective foils.
Individual foils cannot be cut.
Temperature range -40 °F to +176 °F

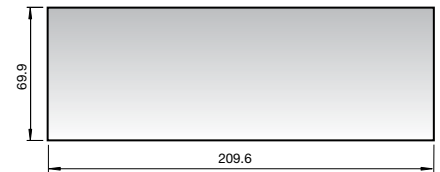


Reflector A35
Round, corner-cube reflector
Temperature range -4 °F to +150 °F

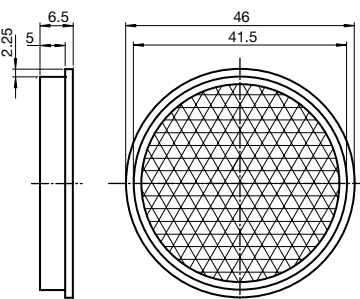
Reflective Tape



Pre-cut, corner-cube reflective tape.
Reflective tapes can be cut.
150' rolls are available. Contact P+F
Temperature range -40 °F to 180 °F



FE-RR9
Rectangular, reflective foil.
Foil cannot be cut.
Temperature range -40 °F to +176 °F



Reflector A46
Round, corner-cube reflector
Temperature range -4 °F to +150 °F

MODEL	H	L
RT1 x 100	1.0"	100"
RT1 x 2	1.0"	2.0"
RT2 x 100	2.0"	100"
RT3 x 100	3.0"	100"

Subject to modifications without notice

Pepperl+Fuchs Group USA: +1 330 486 0001
www.pepperl-fuchs.com fa-info@us.pepperl-fuchs.com

Germany: +49 621 776 0
fa-info@de.pepperl-fuchs.com

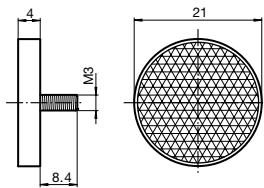
Copyright Pepperl+Fuchs
Singapore: +65 6779 9091
fa-info@sg.pepperl-fuchs.com

PEPPERL+FUCHS 799
SENSING YOUR NEEDS

Reflectors

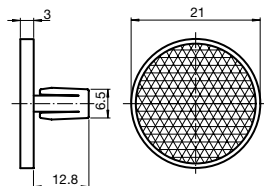
Dimensions in mm

Microstructure



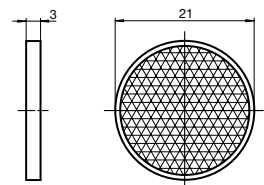
Reflector MS21

Round, microstructure corner-cube reflector. M3 mounting stud includes washer and nut.
Temperature range -4 °F to +185 °F



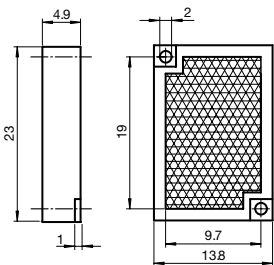
Reflector MClip21

Round, microstructure, corner-cube reflector. Snap-in mounting.
Temperature range -4 °F to +185 °F



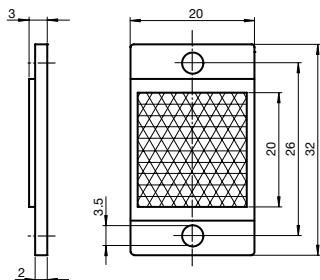
Reflector MA21

Round, microstructure, corner-cube reflector. Self-adhesive mounting.
Temperature range -4 °F to +185 °F



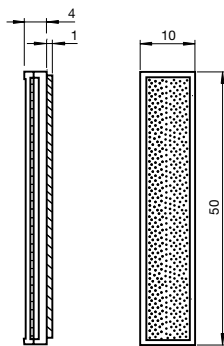
Reflector MH23

Rectangular, microstructure corner-cube reflector. Through-hole mounting.
Temperature range -4 °F to +185 °F



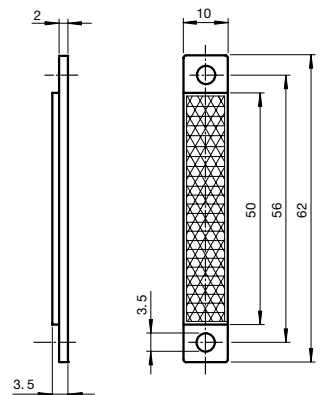
Reflector MH20

Square, microstructure corner-cube reflector. Through-hole mounting.
Temperature range -4 °F to +185 °F



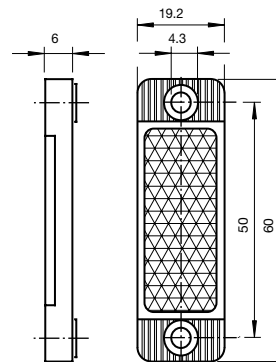
Reflector MA50

Rectangular, microstructure, corner-cube reflector. Self-adhesive mounting.
Temperature range -4 °F to +185 °F



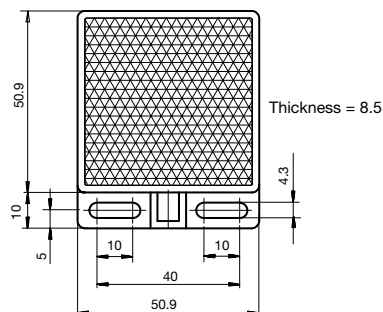
Reflector MH56

Rectangular, microstructure, corner-cube reflector. Through-hole mounting.
Temperature range -4 °F to +185 °F



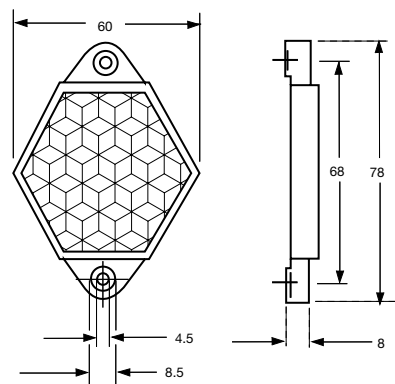
Reflector MVR10

Rectangular, microstructure, corner-cube reflector. Through-hole mounting.
Temperature range -4 °F to +185 °F



Reflector MH50

Square, microstructure corner-cube reflector. Through-hole mounting.
Temperature range -4 °F to +185 °F



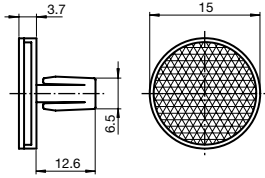
Reflector MH78

Rectangular, microstructure, corner-cube reflector. Through-hole mounting.
Temperature range -4 °F to +185 °F

Subject to modifications without notice

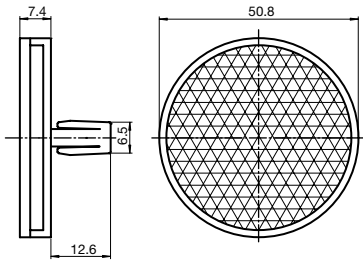
Dimensions in mm

High/low Temperature



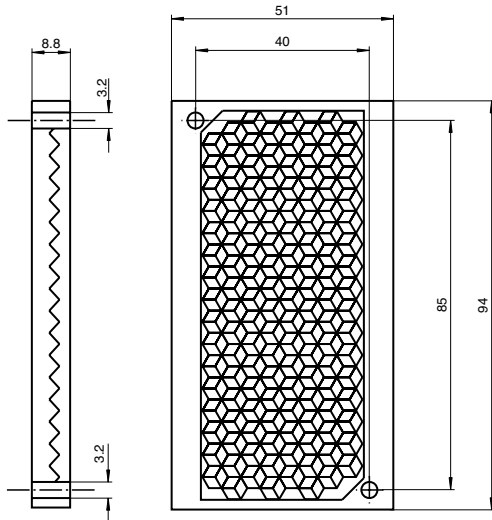
Reflector Mclip15HT

Round, microstructure, corner-cube reflector. Snap-in mounting. Temperature range -4 °F to +230 °F



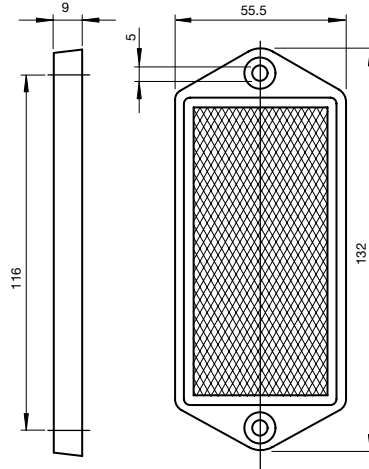
Reflector Clip50HT

Round, corner-cube reflector. Snap-in mounting. Temperature range -4 °F to +230 °F



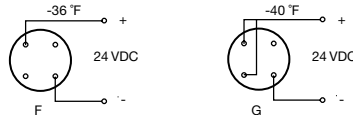
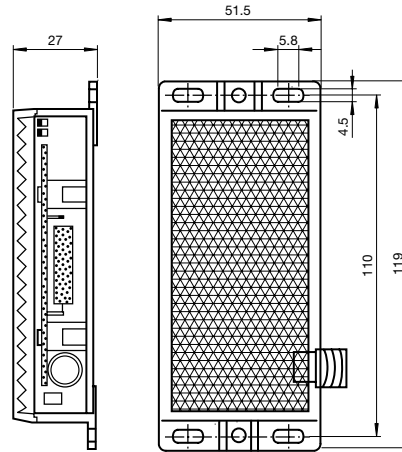
Reflector H85HT

Rectangular, corner-cube reflector. Through-hole mounting. Temperature range -58 °F to +932 °F



Reflector H116HT

Rectangular, corner-cube reflector. Through-hole mounting. Temperature range -4 °F to +230 °F



M12 x 1 (V1) 4-pin quick disconnect

Reflector Heater120

Rectangular, corner-cube reflector. Through-hole mounting. Temperature range -54 °F to +158 °F. Connector type is 4-pin M12 (V1)

Notes