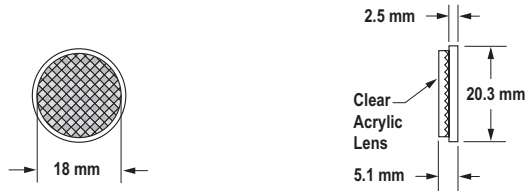


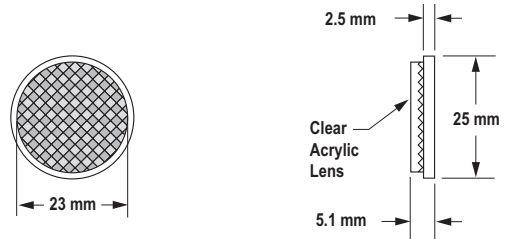
BRT-6

Description: Round, acrylic target
 Reflectivity Factor: 1.0
 Max. Temperature: 65° C



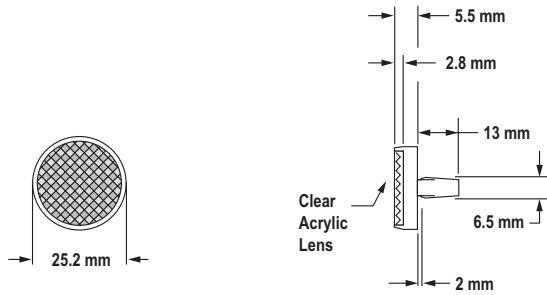
BRT-1

Description: Round, acrylic target
 Reflectivity Factor: 1.0
 Max. Temperature: 65° C



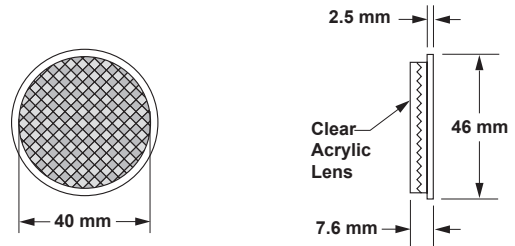
BRT-25R

Description: Round, rivet-secured acrylic target
 Reflectivity Factor: 1.0
 Max. Temperature: 50° C



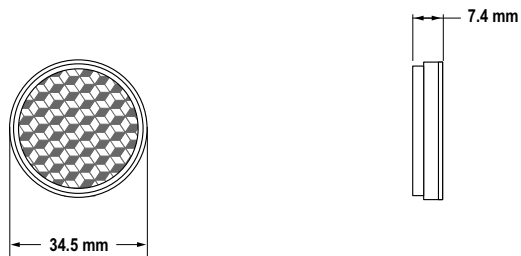
BRT-1.5

Description: Round, acrylic target
 Reflectivity Factor: 1.0
 Max. Temperature: 65° C



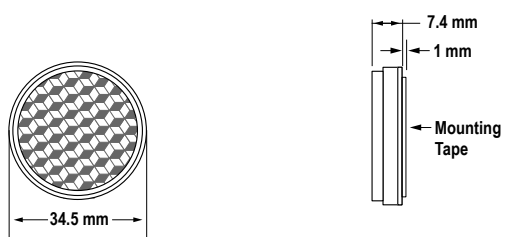
BRT-34

Description: Round, acrylic target
 Reflectivity Factor: 1.2
 Max. Temperature: 65° C



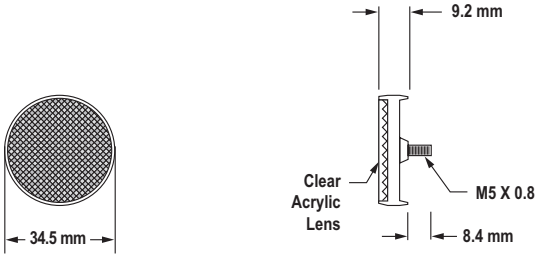
BRT-34T

Description: Round, acrylic target includes mounting tape
 Reflectivity Factor: 1.2
 Max. Temperature: 65° C



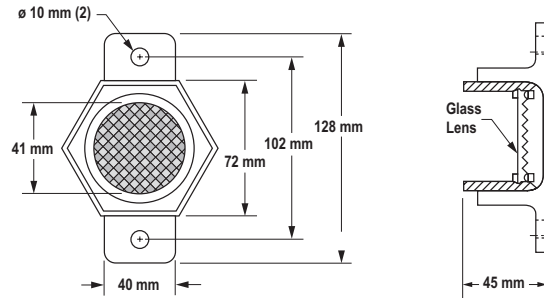
BRT-35DM

Description: Round, acrylic target with mounting stud
 Reflectivity Factor: 1.2
 Max. Temperature: 50° C
 Other: This target has micro-prism geometry.



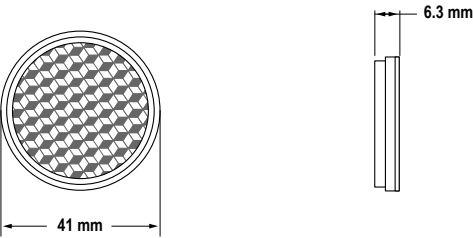
BRT-41AHT

Description: Round, borosilicate (Pyrex type) glass target
 Reflectivity Factor: 1.0
 Max. Temperature: 200° C



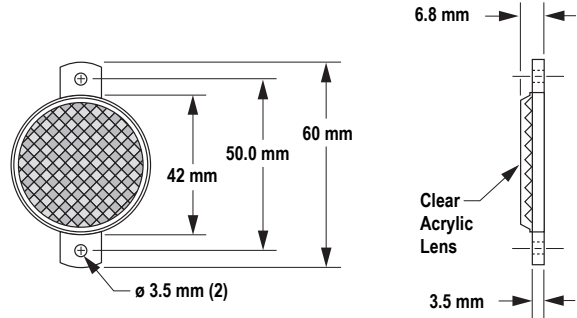
BRT-42

Description: Round, acrylic target
 Reflectivity Factor: 1.0
 Max. Temperature: 65° C



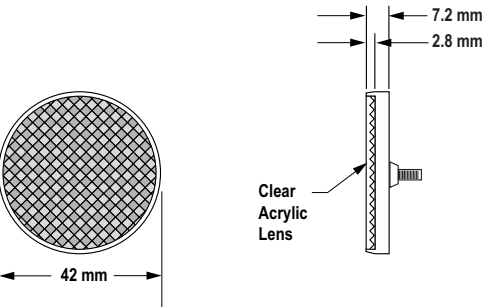
BRT-42A

Description: Round, acrylic target
 Reflectivity Factor: 1.0
 Max. Temperature: 50° C



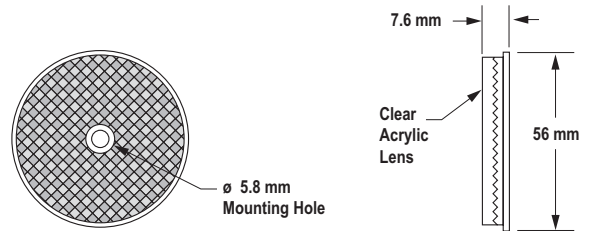
BRT-42D

Description: Round, acrylic target with mounting stud
 Reflectivity Factor: 1.0
 Max. Temperature: 50° C



BRT-2A

Description: Round, acrylic target
 Reflectivity Factor: 1.0
 Max. Temperature: 65° C



BRACKETS

CABLES

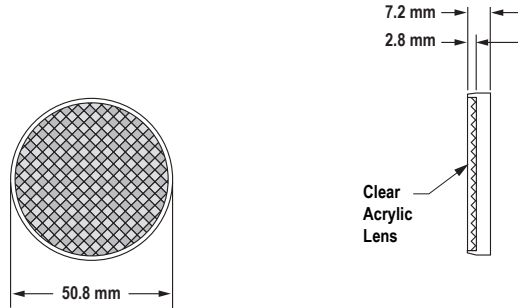
RETROREFLECTORS

ENCLOSURES/
LENS SHIELDS

MISCELLANEOUS

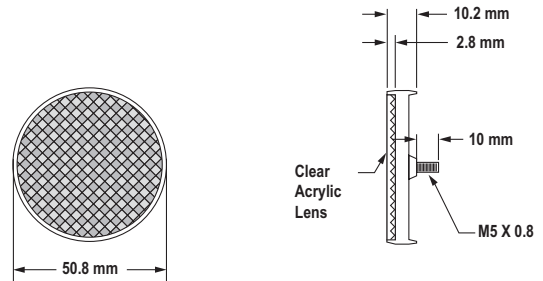
BRT-50

Description: Round, acrylic target
 Reflectivity Factor: 1.0
 Max. Temperature: 65° C



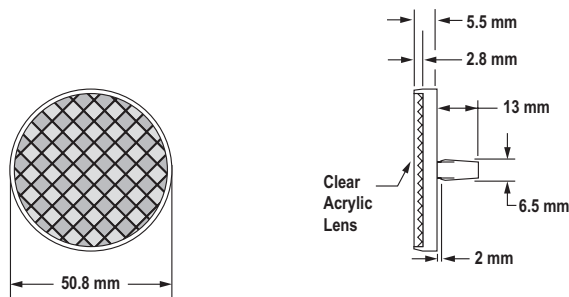
BRT-50D

Description: Round, acrylic target with mounting stud
 Reflectivity Factor: 1.0
 Max. Temperature: 65° C
 Other: Optional brackets are available. See page 376.



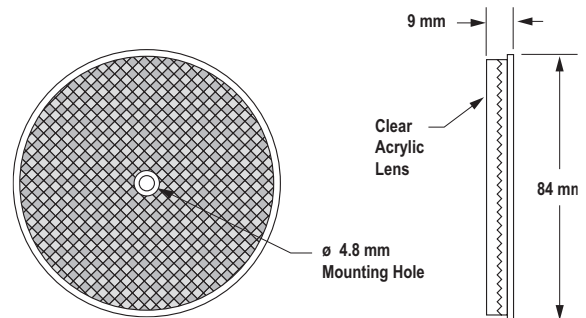
BRT-50R

Description: Round, rivet-secured acrylic target
 Reflectivity Factor: 1.0
 Max. Temperature: 50° C
 Other: Optional brackets are available. See page 376.



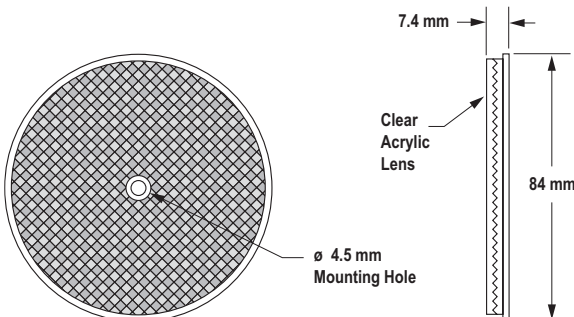
BRT-3

Description: Round, acrylic target
 Reflectivity Factor: 1.0
 Max. Temperature: 65° C
 Other: Optional brackets are available. See page 376.



BRT-84

Description: Round, acrylic target
 Reflectivity Factor: 1.4
 Max. Temperature: 65° C
 Other: Optional brackets are available. See page 376.



- BRACKETS
- CABLES
- RETROREFLECTORS
- ENCLOSURES/ LENS SHIELDS
- MISCELLANEOUS

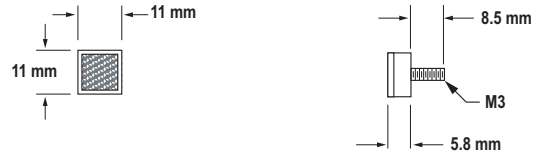
BRT-11X11M

Description: Square, acrylic target
 Reflectivity Factor: 1.2
 Max. Temperature: 65° C
 Other: This target has micro-prism geometry.



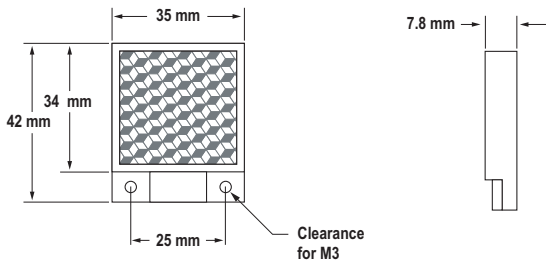
BRT-11X11MD

Description: Square, acrylic target with mounting stud
 Reflectivity Factor: 1.2
 Max. Temperature: 65° C
 Other: This target has micro-prism geometry.



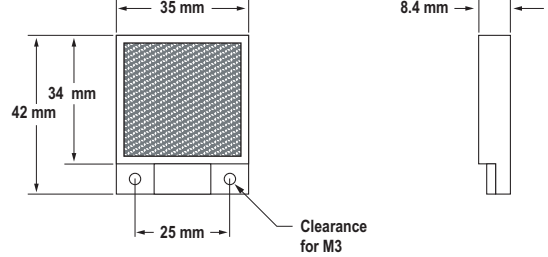
BRT-35X35B

Description: Square, acrylic target
 Reflectivity Factor: 1.3
 Max. Temperature: 65° C



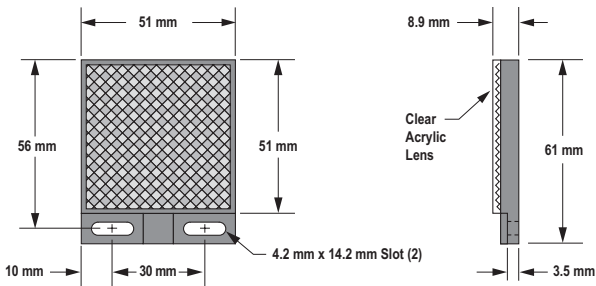
BRT-35X35BM

Description: Square, acrylic target
 Reflectivity Factor: 1.2
 Max. Temperature: 65° C
 Other: This target has micro-prism geometry.



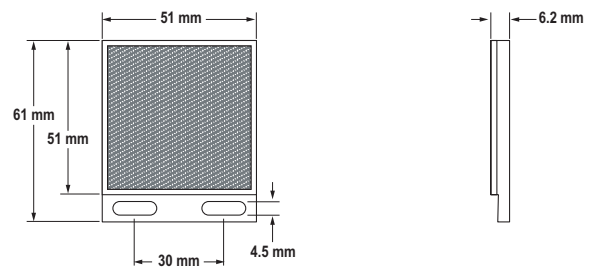
BRT-2X2

Description: Square, acrylic target
 Reflectivity Factor: 1.0
 Max. Temperature: 50° C
 Others: Optional brackets are available. See page 376.



BRT-51X51BM

Description: Square, acrylic target
 Reflectivity Factor: 1.5 Max. Temperature: 50° C
 Other: This target has micro-prism geometry. Optional brackets are available on page 376. Replaces reflector BRT-36X40BM.



BRACKETS

CABLES

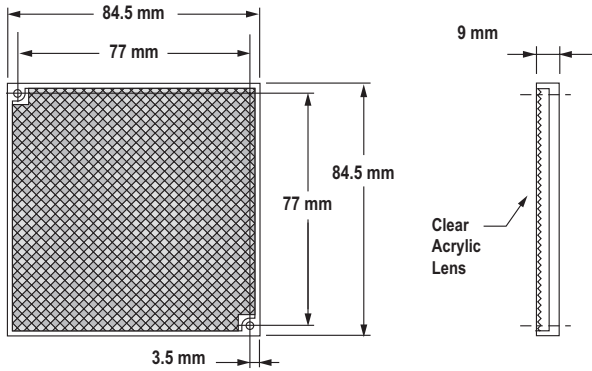
RETROREFLECTORS

ENCLOSURES/
LENS SHIELDS

MISCELLANEOUS

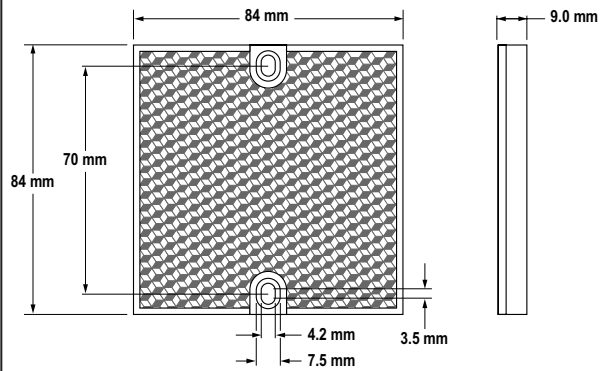
BRT-77X77C

Description: Square, acrylic target
 Reflectivity Factor: 2.0
 Max. Temperature: 50° C
 Other: Optional brackets are available. See page 376.



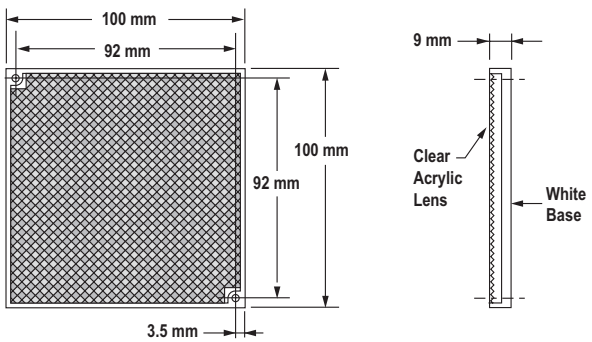
BRT-84X84A

Description: Square, acrylic target
 Reflectivity Factor: 2.0
 Max. Temperature: 50° C



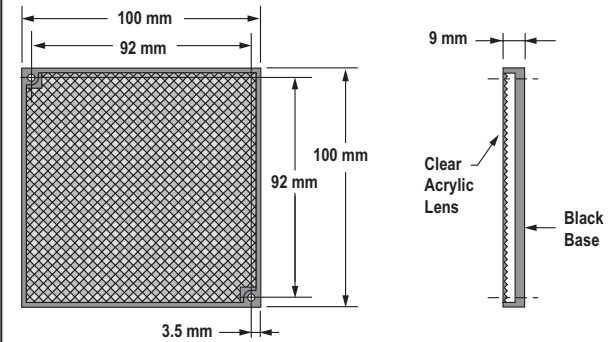
BRT-92X92C

Description: Square, acrylic target
 Reflectivity Factor: 3.0
 Max. Temperature: 50° C
 Other: Optional brackets are available. See page 376.



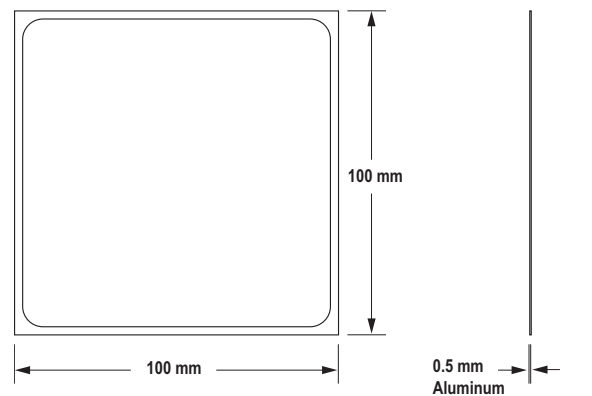
BRT-92X92CB

Description: Square, acrylic target with black mounting base
 Reflectivity Factor: 3.0
 Max. Temperature: 50° C
 Other: Optional brackets are available. See page 376.



BRT-4HT

Description: Square, aluminum target
 Reflectivity Factor: 0.15
 Max. Temperature: 480° C
 Other: This target is not recommended for polarized retroreflective sensors.



- BRT-250** • 250 x 250 mm
- BRT-540** • 540 x 540 mm
- BRT-700** • 700 x 700 mm

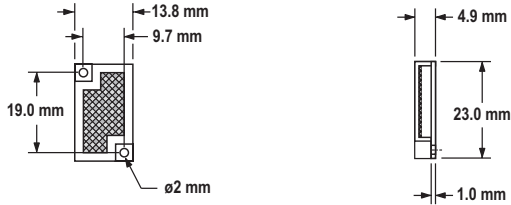
Other: Square reflector with rigid aluminum backing for use with LT7



BRACKETS
CABLES
RETROREFLECTORS
ENCLOSURES/
LENS SHIELDS
MISCELLANEOUS

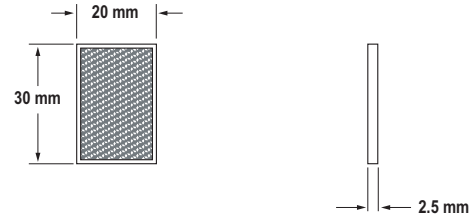
BRT-23X14CM

Description: Rectangular, acrylic target
 Reflectivity Factor: 1.2
 Max. Temperature: 65° C
 Other: This target has micro-prism geometry.



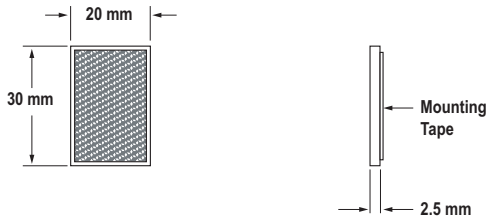
BRT-30X20M

Description: Rectangular, acrylic target
 Reflectivity Factor: 1.2
 Max. Temperature: 65° C



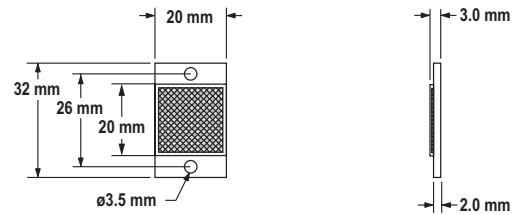
BRT-30X20MT

Description: Rectangular, acrylic target includes mounting tape
 Reflectivity Factor: 1.2
 Max. Temperature: 65° C



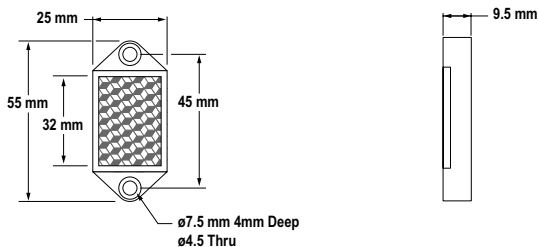
BRT-32X20AM

Description: Rectangular, thin profile acrylic target
 Reflectivity Factor: 1.2
 Max. Temperature: 65° C
 Other: This target has micro-prism geometry.



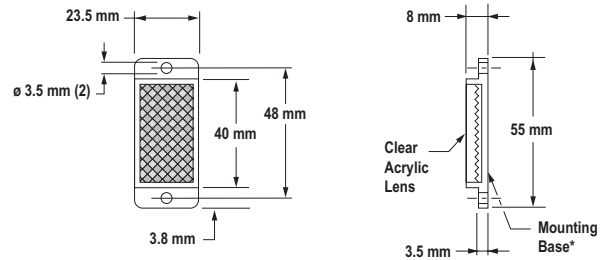
BRT-32X22A

Description: Rectangular, acrylic target
 Reflectivity Factor: 1.3
 Max. Temperature: 65° C



**BRT-35X20A
 BRT-35X20AB**

Description: Rectangular, acrylic target*
 Reflectivity Factor: 1.4
 Max. Temperature: 50° C



*Mounting base available in white (BRT-35X20A) or black (BRT-35X20AB).

BRACKETS

CABLES

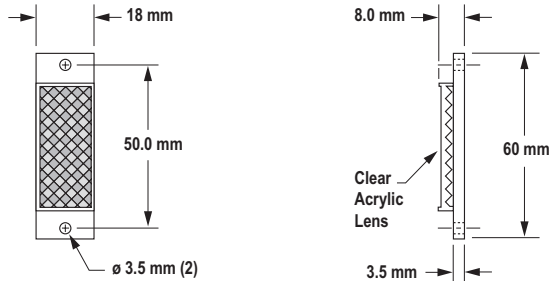
RETROREFLECTORS

ENCLOSURES/
 LENS SHIELDS

MISCELLANEOUS

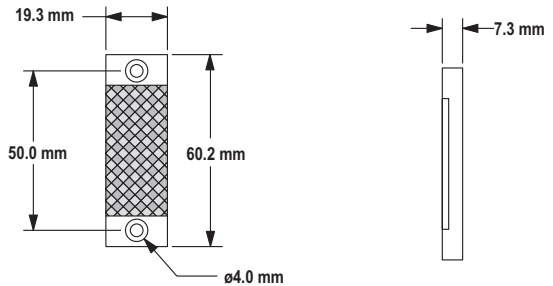
BRT-40X18A

Description: Rectangular, acrylic target
 Reflectivity Factor: 1.0
 Max. Temperature: 50° C



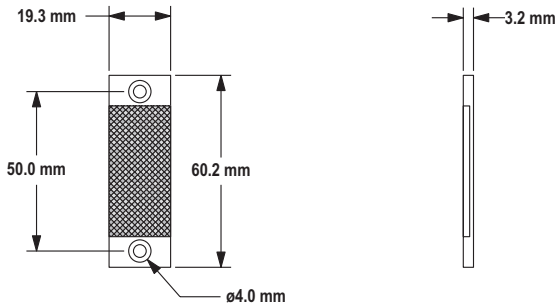
BRT-40X19A

Description: Rectangular, acrylic target
 Reflectivity Factor: 1.3
 Max. Temperature: 50° C



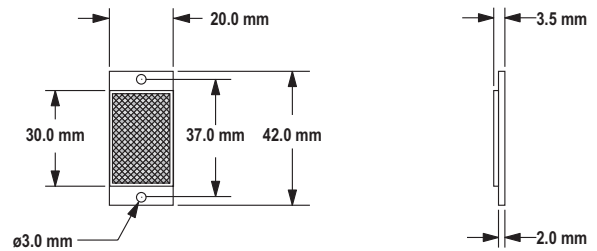
BRT-40X19AM

Description: Rectangular, thin profile acrylic target
 Reflectivity Factor: 1.2
 Max. Temperature: 50° C
 Other: This target has micro-prism geometry.



BRT-40X20AM

Description: Rectangular, thin profile acrylic target
 Reflectivity Factor: 1.2
 Max. Temperature: 50° C
 Other: This target has micro-prism geometry.



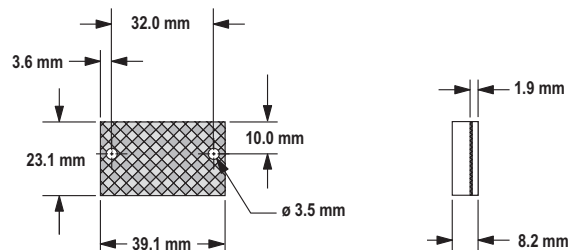
BRT-40X23

Description: Rectangular, acrylic target
 Reflectivity Factor: 1.4
 Max. Temperature: 50° C



BRT-40X23A

Description: Rectangular, acrylic target
 Reflectivity Factor: 1.4
 Max. Temperature: 50° C



BRACKETS

CABLES

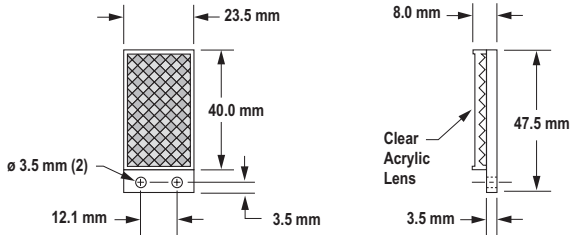
RETROREFLECTORS

ENCLOSURES/
LENS SHIELDS

MISCELLANEOUS

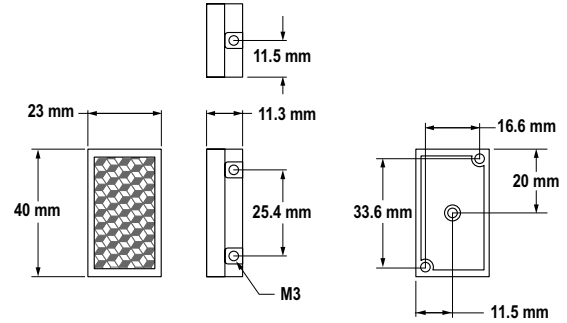
BRT-40X23B

Description: Rectangular, acrylic target
 Reflectivity Factor: 1.4
 Max. Temperature: 50° C



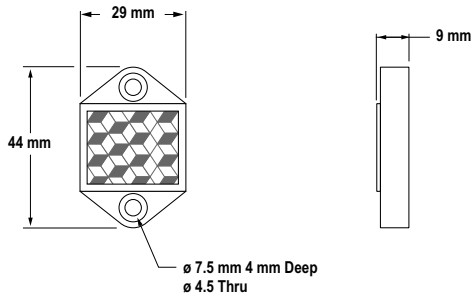
BRT-40X23ABC

Description: Rectangular, acrylic target
 Reflectivity Factor: 1.4
 Max. Temperature: 50° C



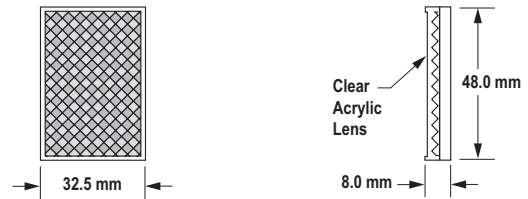
BRT-44X29A6

Description: Rectangular, acrylic target
 Reflectivity Factor: 1.1
 Max. Temperature: 50° C
 Other: 6 mm facets; close to the face retroreflective sensing with bifurcated lens.



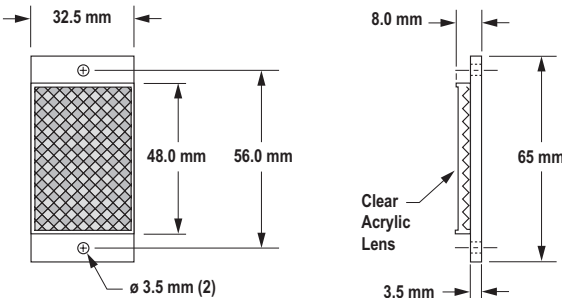
BRT-48X32

Description: Rectangular, acrylic target
 Reflectivity Factor: 1.0
 Max. Temperature: 50° C



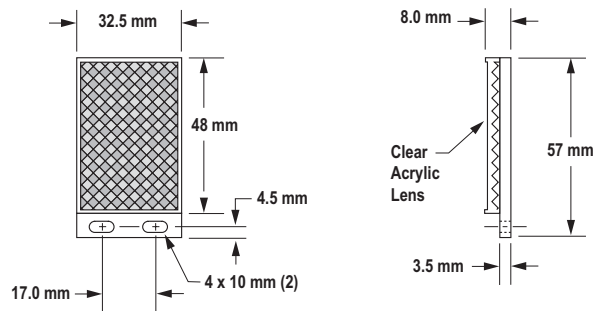
BRT-48X32A

Description: Rectangular, acrylic target
 Reflectivity Factor: 1.0
 Max. Temperature: 50° C



BRT-48X32B

Description: Rectangular, acrylic target
 Reflectivity Factor: 1.0
 Max. Temperature: 50° C



BRACKETS

CABLES

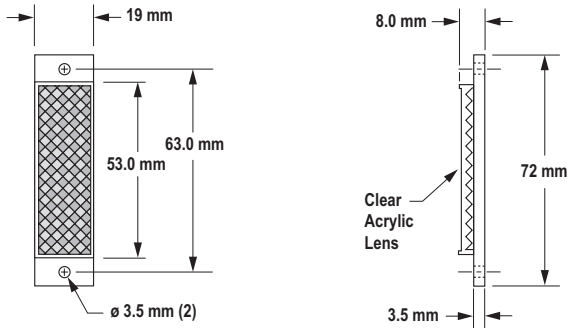
RETROREFLECTORS

ENCLOSURES/
LENS SHIELDS

MISCELLANEOUS

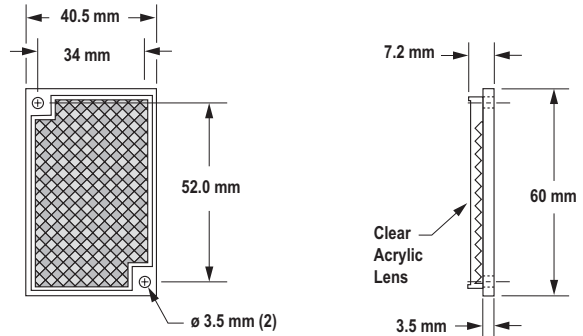
BRT-53X19A

Description: Rectangular, acrylic target
 Reflectivity Factor: 1.4
 Max. Temperature: 50° C



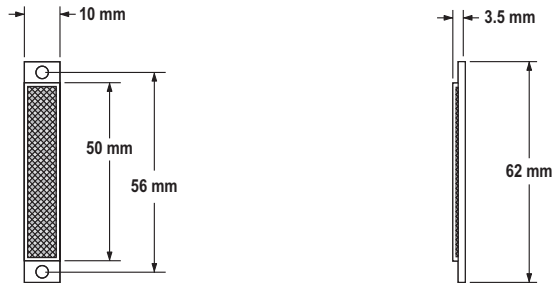
BRT-60X40C

Description: Rectangular, acrylic target
 Reflectivity Factor: 1.4 Max. Temperature: 50° C
 Other: This target has micro-prism geometry. Optional brackets are available. See page 376.



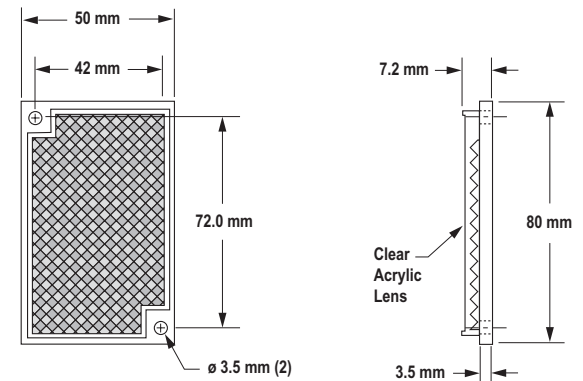
BRT-62X10AM

Description: Rectangular, thin profile acrylic target
 Reflectivity Factor: 1.2
 Max. Temperature: 65° C
 Other: This target has micro-prism geometry.



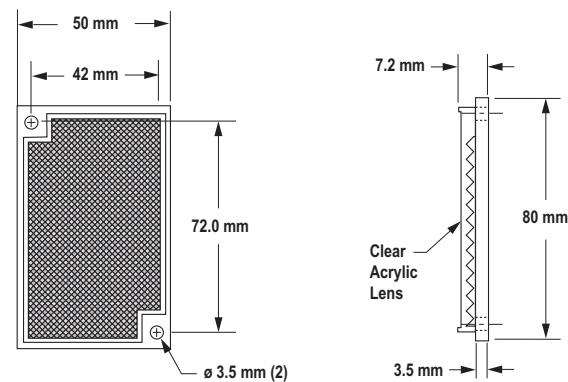
BRT-80X50C

Description: Rectangular, acrylic target
 Reflectivity Factor: 1.4
 Max. Temperature: 65° C



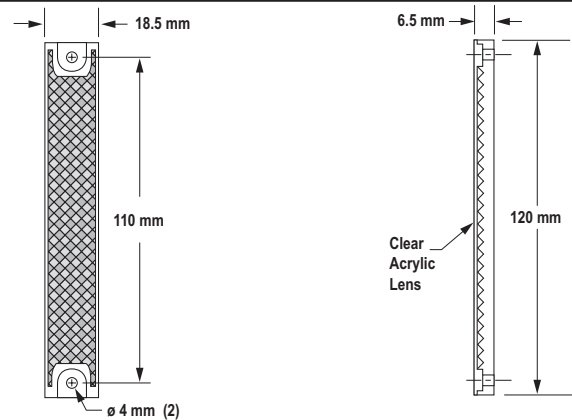
BRT-80X50CM

Description: Rectangular, acrylic target
 Reflectivity Factor: 1.4
 Max. Temperature: 65° C
 Other: This target has micro-prism geometry.



BRT-100X18A

Description: Rectangular, acrylic target
 Reflectivity Factor: 1.4
 Max. Temperature: 50° C



BRACKETS

CABLES

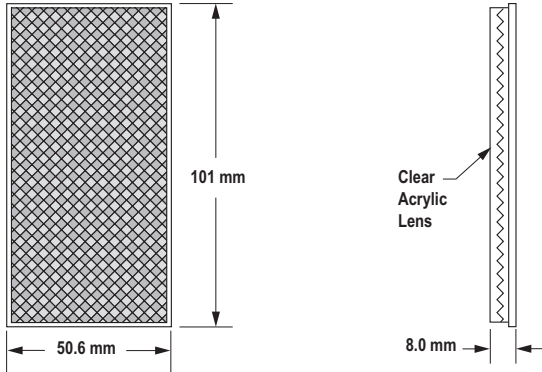
RETROREFLECTORS

ENCLOSURES/
LENS SHIELDS

MISCELLANEOUS

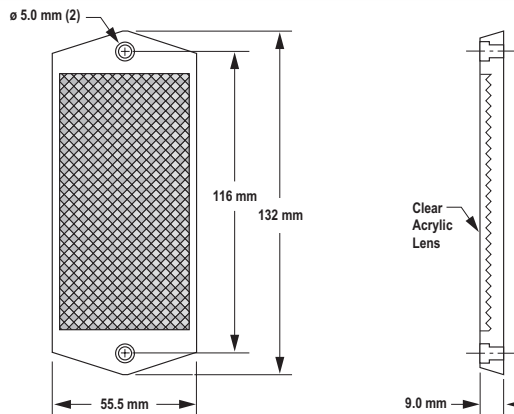
BRT-100X50

Description: Rectangular, acrylic target
 Reflectivity Factor: 1.5
 Max. Temperature: 50° C



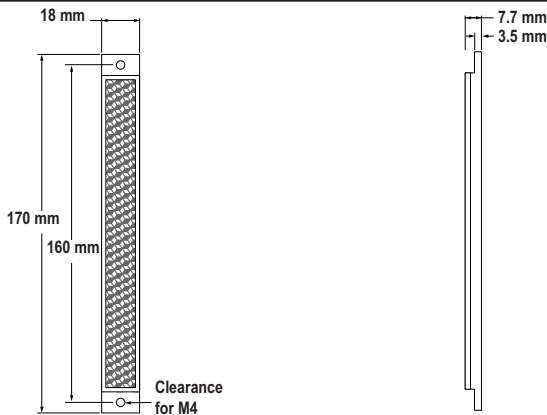
BRT-100X55A

Description: Rectangular, acrylic target
 Reflectivity Factor: 1.5
 Max. Temperature: 50° C



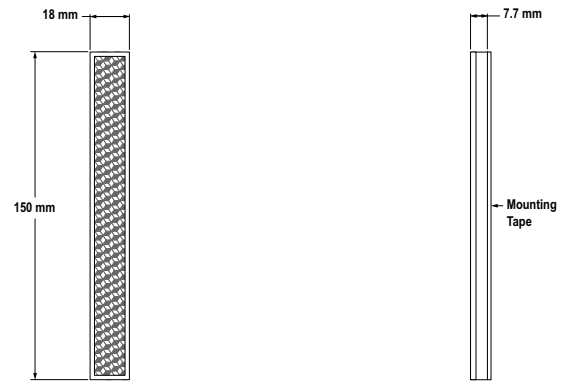
BRT-150X18A

Description: Rectangular, acrylic target
 Reflectivity Factor: 1.4
 Max. Temperature: 65° C



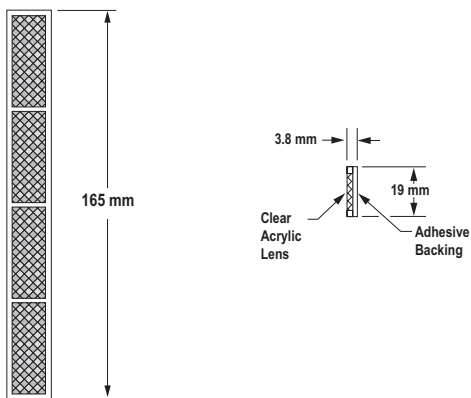
BRT-150X18T

Description: Rectangular, acrylic target includes mounting tape.
 Reflectivity Factor: 1.4
 Max. Temperature: 65° C



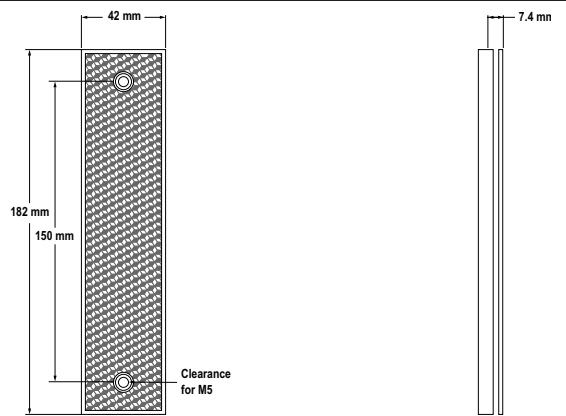
BRT-L

Description: Rectangular, acrylic target
 Reflectivity Factor: 0.8
 Max. Temperature: 65° C



BRT-180X40A

Description: Rectangular, acrylic target
 Reflectivity Factor: 1.4
 Max. Temperature: 50° C



BRACKETS

CABLES


RETROREFLECTORS

ENCLOSURES/
LENS SHIELDS

MISCELLANEOUS

Retroreflective Tape

NOTE: Sensing range and signal strength at any given sensor-to-target distance will vary due to target reflectivity and target area. A "Reflectivity Factor" is included for each target model to help predict sensor performance, relative to the excess gain curve plotted for target model BRT-3. Consider, also, target area when predicting performance. Changing to a high reflectivity reflector (like BRT-92X92C) may also extend sensor range and/or reduce the need for frequent reflector maintenance. A high reflectivity factor AND large surface area are needed for maximum range.

| Model | Reflectivity Factor | Maximum Temperature | Size | Unit |  |
|------------------|---------------------|---------------------|--------------|--------------|---|
| BRT-THG-3X3-10 | 0.7 | 60° C | 75 x 75 mm | 10 per pack | |
| BRT-THG-4X4-5 | 0.7 | 60° C | 100 x 100 mm | 5 per pack | |
| BRT-THG-8.5X11-2 | 0.7 | 60° C | 216 x 280 mm | 2 per pack | |
| BRT-THG-18X36 | 0.7 | 60° C | 457 x 914 mm | Single sheet | |
| BRT-THG-1-100 | 0.7 | 60° C | 25 mm wide | 2.5 m length | |
| BRT-THG-2-100 | 0.7 | 60° C | 50 mm wide | 2.5 m length | |
| BRT-THG-3-100 | 0.7 | 60° C | 75 mm wide | 2.5 m length | |
| BRT-THT-100† | 0.07 | 175° C | 25 mm wide | 2.5 m length | |
| BRT-TVHG-2X2* | 0.8 | 60° C | 50 x 50 mm | 4 per pack | |
| BRT-TVHG-8X10P | 0.8 | 60° C | 203 x 254 mm | 1 per pack | |

NOTE: Retroreflective material has a pressure-sensitive adhesive. For maximum adhesion, surfaces must be clean and dry before applying. For best results, use full size; target may be trimmed as necessary.

- † These targets are not recommended for polarized retroreflective sensors.
- * These are sealed micro-prism style pieces and may not be cut.
Suitable for use with Laser sensors, VS3 sensors and SME312LPC model sensors.
Not suggested for close range (less than 102 mm) except with VS3 sensors.

Tubular Enclosures

- Available for A-GAGE® EZ-ARRAY™ or MINI-ARRAY®
- Ideal for high-power washdown environments
- Made of clear FDA-grade polycarbonate tubing, with acetal end caps
- Includes stainless mounting brackets and hardware
- Rated NEMA 4X; IP67



EZA-TE Tubular Enclosures

| Model | Used With | | Enclosure Height (L) | Data Sheet |
|-------------|------------------------|-------------------------------|----------------------|------------|
| | Emitter/Receiver Model | Emitter/Receiver Array Length | | |
| EZA-TE-150 | EZ-ARRAY | EA5..-150 | 150 mm | 117107 |
| EZA-TE-300 | | EA5..-300 | 300 mm | |
| EZA-TE-450 | | EA5..-450 | 450 mm | |
| EZA-TE-600 | | EA5..-600 | 600 mm | |
| EZA-TE-750 | | EA5..-750 | 750 mm | |
| EZA-TE-900 | | EA5..-900 | 900 mm | |
| EZA-TE-1050 | | EA5..-1050 | 1050 mm | |
| EZA-TE-1200 | | EA5..-1200 | 1200 mm | |
| EZA-TE-1500 | | EA5..-1500 | 1500 mm | |
| EZA-TE-1800 | | EA5..-1800 | 1800 mm | |

NOTE: Use of the enclosure affects the sensing range of the emitter/receiver used: when in pairs, range can be reduced by 50%.

MSA-TE Tubular Enclosures



| Model | Used With | | Enclosure Height (L) | Data Sheet |
|-----------|----------------------------|-------------------------------|----------------------|------------|
| | Emitter/Receiver Model | Emitter/Receiver Array Length | | |
| MSA-TE-4 | MINI-ARRAY | BMEL616A/BMRL616A | 133 mm | 338 mm |
| | | BMEL632A/BMR632A | 143 mm | |
| | High-Resolution MINI-ARRAY | MAHE6A/MAHR6A | 163 mm | |
| MSA-TE-8 | MINI-ARRAY | BMEL1216A/BMRL1216A | 286 mm | 439 mm |
| | | BMEL1232A/BMR1232A | 295 mm | |
| MSA-TE-12 | MINI-ARRAY | MAHE13A/MAHR13A | 325 mm | 541 mm |
| | | BMEL1816A/BMRL1816A | 438 mm | |
| MSA-TE-16 | High-Resolution MINI-ARRAY | BMEL1832A/BMRL1832A | 448 mm | 643 mm |
| | | MAHE19A/MAHR19A | 488 mm | |
| MSA-TE-20 | MINI-ARRAY | BMEL2416A/BMRL2416A | 591 mm | 744 mm |
| | | BMEL2432A/BMRL2432A | 600 mm | |
| | High-Resolution MINI-ARRAY | MAHE26A/MAHR26A | 600 mm | |
| MSA-TE-24 | MINI-ARRAY | BMEL3016A/BMRL3016A | 743 mm | 846 mm |
| | | BMEL3032A/BMRL3032A | 752 mm | |
| MSA-TE-28 | High-Resolution MINI-ARRAY | MAHE32A/MAHR32A | 813 mm | 947 mm |

NOTE: Use of the enclosure affects the sensing range of the emitter/receiver used: when in pairs, range can be reduced by 50%.



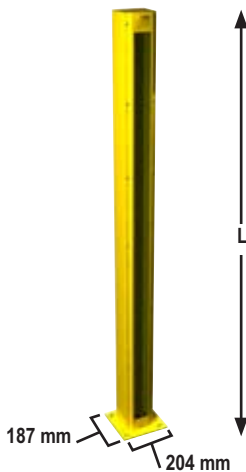
BRACKETS
CABLES
RETROREFLECTORS
ENCLOSURES/
LENS SHIELDS
MISCELLANEOUS



MSA-TE Tubular Enclosures (cont'd)

| Model | Used With | | Enclosure Height (L) | Data Sheet |
|-----------|----------------------------|-------------------------------|----------------------|------------|
| | Emitter/Receiver Model | Emitter/Receiver Array Length | | |
| MSA-TE-32 | MINI-ARRAY | BMEL3616A/BMRL3616A | 895 mm | 1049 mm |
| | | BMEL3632A/BMRL3632A | 905 mm | |
| | High-Resolution MINI-ARRAY | MAHE38A/MAHR38A | 975 mm | |
| MSA-TE-36 | MINI-ARRAY | BMEL4216A/BMRL4216A | 1048 mm | 1151 mm |
| | | BMEL4232A/BMRL4232A | 1057 mm | |
| MSA-TE-40 | High-Resolution MINI-ARRAY | MAHE45A/MAHR45A | 1138 mm | 1252 mm |
| MSA-TE-44 | MINI-ARRAY | BMEL4816A/BMRL4816A | 1200 mm | 1354 mm |
| | | BMEL4832A/BMRL4832A | 1210 mm | |
| MSA-TE-48 | High-Resolution MINI-ARRAY | MAHE51A/MAHR51A | 1300 mm | 1455 mm |

NOTE: Use of the enclosure affects the sensing range of the emitter/receiver used: when in pairs, range can be reduced by 50%.



Heated Enclosures

- Available for A-GAGE® MINI-ARRAY® or High-Resolution MINI-ARRAY®
- Protects emitter/receiver in outdoor environments
- Includes humidistat and resistance wires to keep window free of condensation, snow or ice
- Provides choice of stainless steel or aluminum housings



MINI-ARRAY® and High-Resolution MINI-ARRAY® Heated Enclosures



| Models* | Material | Finish** | Array Length | Overall Enclosure Height (L) | Clear Window Height | Data Sheet |
|--------------------|-----------------|-------------|-----------------|------------------------------|---------------------|------------|
| BMHE4A/BMHL4G | Aluminum | Painted | 133 to 1210 mm | 1.7 m | 1.5 m | 55557 |
| BMHE5A/BMHL5G | Aluminum | Painted | 1505 to 1514 mm | 2.0 m | 1.8 m | |
| BMHE6A/BMHL6G | Aluminum | Painted | 1810 to 1819 mm | 2.2 m | 2.0 m | |
| BMHE4SS/BMHL4GSS | Stainless Steel | Painted | 133 to 1210 mm | 1.7 m | 1.5 m | |
| BMHE5SS/BMHL5GSS | Stainless Steel | Painted | 1505 to 1514 mm | 2.0 m | 1.8 m | |
| BMHE6SS/BMHL6GSS | Stainless Steel | Painted | 1810 to 1819 mm | 2.2 m | 2.0 m | |
| BMHE4SSN/BMHL4GSSN | Stainless Steel | Non-painted | 133 to 1210 mm | 1.7 m | 1.5 m | |
| BMHE5SSN/BMHL5GSSN | Stainless Steel | Non-painted | 1505 to 1514 mm | 2.0 m | 1.8 m | |
| BMHE6SSN/BMHL6GSSN | Stainless Steel | Non-painted | 1810 to 1819 mm | 2.2 m | 2.0 m | |

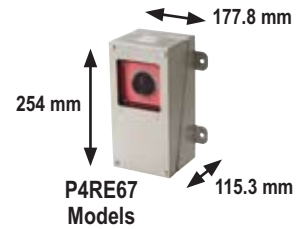
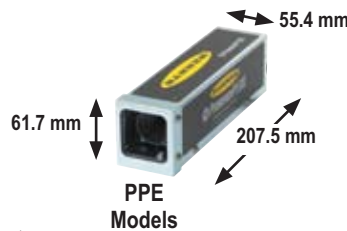
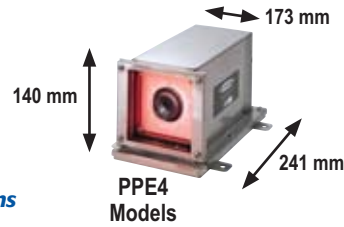
* Enclosures require a power supply (see page 447).

** Standard color is Federal Safety Yellow (Federal Standard color# 23538). Contact Factory for other colors.



PresencePLUS® Enclosure Kits

- Protects sensor, ring light or both
- Keeps dust and dirt off lens and light
- Prevents accidental bumps and scratches
- Discourages vandalism and tampering
- Helps maintain lens focus by enclosing the lens and sensor
- Available in models that protect camera and light during washdown
- Offers choice of models with glass or plastic viewport



PresencePLUS® Enclosure Kits

| Model | Description | Used With | Data Sheet |
|----------|---|-------------------------------|------------|
| P4RE67-G | Heavy-duty stainless-steel enclosure kit—glass viewport; NEMA 6 rated | P4 (right-angle) & Ring Light | 121996 |
| P4RE67-P | Heavy-duty stainless-steel enclosure kit—polycarbonate viewport; NEMA 6 rated | | |
| PPE-G | Heavy-duty cold-rolled steel industrial protection kit—glass viewport; NEMA 1 rated | Pro Camera & Lens | 115342 |
| PPE-P | Heavy-duty cold-rolled steel industrial protection kit—polycarbonate viewport; NEMA 1 rated | | |
| PPE-RG | Replacement viewport—glass | PPE-G | — |
| PPE-RP | Replacement viewport—polycarbonate | PPE-P | — |
| SMBPPES | Straight Mounting bracket | PPE-P & PPE-G | — |
| SMBPPEA | Right-angle mounting bracket | | |
| SMBPPEF | Front mounting bracket | | |
| PPE4-G | Heavy-duty stainless-steel enclosure kit—glass viewport; NEMA 4 rated | Pro Camera & Ring Light | 111362 |
| PPE4-P | Heavy-duty stainless-steel enclosure kit—polycarbonate viewport; NEMA 4 rated | | |

BRACKETS

CABLES

RETROREFLECTORS

ENCLOSURES/
LENS SHIELDS

MISCELLANEOUS

Lens Shields

- Covers the lens of the emitter/receiver to prevent damage
- Available for EZ-ARRAY™, MINI-ARRAY® and High-Resolution MINI-ARRAY®
- Installs easily
- Made of rugged polycarbonate



A-GAGE® EZ-ARRAY™ Lens Shields

| Model | Installation | Used With | | Lens Shield Length (L) | Data Sheet |
|------------|--------------|------------------------|-------------------------------|------------------------|------------|
| | | Emitter/Receiver Model | Emitter/Receiver Array Length | | |
| EZS-150EA | Adhesive | EA5..150 | 150 mm | 218 mm | 61960 |
| EZSS-150EA | Snap-on | | | 196 mm | 127944 |
| EZS-300 | Adhesive | EA5..300 | 300 mm | 368 mm | 61960 |
| EZSS-300 | Snap-on | | | 346 mm | 127944 |
| EZS-450 | Adhesive | EA5..450 | 450 mm | 518 mm | 61960 |
| EZSS-450 | Snap-on | | | 496 mm | 127944 |
| EZS-600 | Adhesive | EA5..600 | 600 mm | 667 mm | 61960 |
| EZSS-600 | Snap-on | | | 645 mm | 127944 |
| EZS-750 | Adhesive | EA5..750 | 750 mm | 817 mm | 61960 |
| EZSS-750 | Snap-on | | | 795 mm | 127944 |
| EZS-900 | Adhesive | EA5..900 | 900 mm | 967 mm | 61960 |
| EZSS-900 | Snap-on | | | 945 mm | 127944 |
| EZS-1050 | Adhesive | EA5..1050 | 1050 mm | 1116 mm | 61960 |
| EZSS-1050 | Snap-on | | | 1094 mm | 127944 |
| EZS-1200 | Adhesive | EA5..1200 | 1200 mm | 1266 mm | 61960 |
| EZSS-1200 | Snap-on | | | 1244 mm | 127944 |
| EZS-1500 | Adhesive | EA5..1500 | 1500 mm | 1565 mm | 61960 |
| EZSS-1500 | Snap-on | | | 1543 mm | 127944 |
| EZS-1800 | Adhesive | EA5..1800 | 1800 mm | 1865 mm | 61960 |
| EZSS-1800 | Snap-on | | | 1843 mm | 127944 |
| EZSS-2100 | Snap-on | EA5..2100 | 2100 mm | 2144 mm | 127944 |
| EZSS-2400 | Snap-on | EA5..2400 | 2400 mm | 2444 mm | 127944 |

NOTE: When shields are installed on both the emitter and receiver, maximum operating range is reduced by 20%.

A-GAGE® MINI-ARRAY® Lens Shields

| Model | Installation | Used With | | Lens Shield Length (L) | Data Sheet |
|-------|--------------|------------------------|-------------------------------|------------------------|------------|
| | | Emitter/Receiver Model | Emitter/Receiver Array Length | | |
| MSS12 | Adhesive | MINI-ARRAY | BMEL1216A/BMRL1216A | 341 mm | 44418 |
| | | | BMEL1232A/BMRL1232A | | |
| MSS24 | | | BMEL2416A/BMRL2416A | 643 mm | |
| | | | BMEL2432A/BMRL2432A | | |

NOTE: When shields are installed on both the emitter and receiver, maximum operating range is reduced by 20%.

* Other shield lengths are available, contact factory at 1-888-373-6767.



More information online at bannerengineering.com

BRACKETS
CABLES
RETROREFLECTORS
ENCLOSURES/
LENS SHIELDS
MISCELLANEOUS



A-GAGE® MINI-ARRAY® Lens Shields (cont'd)

| Model | Installation | Used With | | Lens Shield Length (L) | Data Sheet |
|-------|--------------|------------------------|-------------------------------|------------------------|------------|
| | | Emitter/Receiver Model | Emitter/Receiver Array Length | | |
| MSS36 | Adhesive | MIN-ARRAY | BMEL3616A/BMRL3616A | 895 mm | 948 mm |
| | | | BMEL3632A/BMRL3632A | 905 mm | |
| MSS48 | | | BMEL4816A/BMRL4816A | 1200 mm | 1253 mm |
| | | | BMEL4832A/BMRL4832A | 1210 mm | |

NOTE: When shields are installed on both the emitter and receiver, maximum operating range is reduced by 20%.
 * Other shield lengths are available, contact factory at 1-888-373-6767.



LX Lens Shields

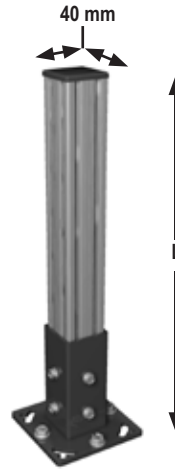
| Model | Installation | Used With | | Lens Shield Length (L) | Data Sheet |
|-------|--------------|------------------------|--------------|------------------------|------------|
| | | Emitter/Receiver Model | Array Length | | |
| LXS3 | Adhesive | LX3 models | 67 mm | 98.3 mm | 113743 |
| LXS6 | | LX6 models | 143 mm | 174.5 mm | |
| LXS12 | | LX12 models | 295 mm | 326.9 mm | |

NOTE: When shields are installed on both the emitter and receiver, maximum operating range is reduced by 20%.

- BRACKETS
- CABLES
- RETROREFLECTORS
- ENCLOSURES/ LENS SHIELDS
- MISCELLANEOUS

MSA Stands

- Supports emitters and receivers
- Available without stand base, for attaching to a surface
- Available in four heights
- Assembles easily
- Includes mounting hardware.



MSA Stands

| Model* | Description | Stand Height (L) | Data Sheet |
|-----------|---|------------------|------------|
| MSA-S24-1 | EZ-ARRAY, MINI-ARRAY and High-Resolution MINI-ARRAY | 610 mm | 43687 |
| MSA-S42-1 | | 1067 mm | |
| MSA-S66-1 | | 1676 mm | |
| MSA-S84-1 | | 2132 mm | |

* Available without base by adding suffix **NB** to model number (example, **MSA-S24-1NB**)

Adjustable Mounting Systems



- Provides flexible mounting and positioning of sensors and lights
- Includes 3" and 6" column mounting kits for mounting area lights and backlights
- Features Bogen Arm and clamp for use with P4 and Pro sensors
- Offers 2" mounting knuckle assembly for spot lights





MSA Stands

| Model | Description | Used With |
|----------|----------------------------------|----------------------------|
| SMBPPK3 | 3" Column, Base, and Knuckle Kit | Pro P4 Vision Lights |
| SMBPPK6 | 6" Column, Base, and Knuckle Kit | |
| SMBPPK | Mounting Bracket Knuckle | |
| SMBPPKE3 | 3" Column | |
| SMBPPKE6 | 6" Column | |
| SMBPPKB | Mounting Bracket Base | |
| SMBPPLK | 2" Mounting Knuckle Assembly | |
| SMBPPF1 | Bogen Arm with Single Knob | |
| SMBPPFB | Bogen Arm Clamp | |


Elevated Use—Stand-off Pipe, Brackets and Adapters

| | Model | Description | Length | Used With |
|---|---------------|--|--------|--------------------------------|
|  | SA-M30E12 | Thermoplastic Acetal adapter and cover (M30 to 1/2" NPSM/DN15) | — | SOP-E12-150SS SOP-E12-300SS |
| | SOP-E12-150SS | Stainless steel pipe (1/2" NPSM/DN15) | 150 mm | K50L K80L |
| | SOP-E12-300SS | | 300 mm | |
| | SA-E12M30 | Thermoplastic Acetal mounting base (1/2" NPSM/DN15 to M30) | — | SOP-E12-150SS SOP-E12-300SS |
|  | SMBE12USS | Stainless steel bracket for wall or other flat surfaces | — | |

Elevated Use—Cabinet Mounts and Extensions

| | Model | Description | Length | Used With |
|---|--------------|---|--------|--------------|
|  | SA-M30M30-75 | Thermoplastic Acetal standoff with 30 mm mounting base for cabinet mounting or use with most 30 mm brackets | 75 mm | K50L |
| | SA-30RL55X93 | Zinc coated, oversized right-angle legend plate for identification labels | — | SA-M30M30-75 |
|  | SA-M22M22-50 | Thermoplastic Acetal standoff with 22.5 mm mounting base for cabinet mounting | 50 mm | K30L |

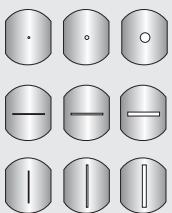
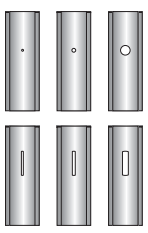







Elevate Use—Hanging Bracket

| | Model | Description | Length | Used With |
|---|---------------|--|--------|------------------------|
|  | SA-30RL55X93C | Zinc coated bracket with strain relief | — | K50 Push Button VTB |

BRACKETS
 CABLES
 RETROREFLECTORS
 ENCLOSURES/
 LENS SHIELDS
 MISCELLANEOUS

Apertures and Aperture Kits

Opposed-mode sensors may be fitted with apertures which narrow or shape the effective beam of the sensor to more closely match the size or profile of the object to be sensed. A common example is the use of "line" or "slit" type aperture when wire or thread is being sensed.

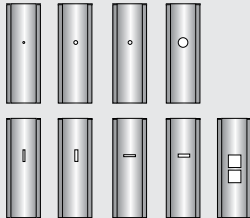
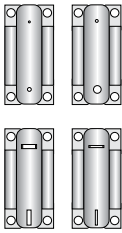

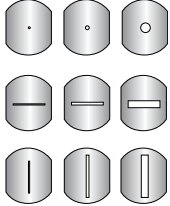
| Model | Aperture Description | Units | Product | Used With |
|---|---|-------|---|---------------------------|
| APQS18-020 | Circular, 0.5 mm dia. | 6 |  | QS18 Opposed-mode |
| APQS18-040 | Circular, 1.0 mm dia. | 6 | | |
| APQS18-100 | Circular, 2.5 mm dia. | 6 | | |
| APQS18-020H | Horizontal, slotted, 0.5 x 6.4 mm | 6 | | |
| APQS18-040H | Horizontal, slotted, 1.0 x 6.4 mm | 6 | | |
| APQS18-100H | Horizontal, slotted, 2.5 x 6.4 mm | 6 | | |
| APQS18-020V | Vertical, slotted, 0.5 x 12.7 mm | 6 | | |
| APQS18-040V | Vertical, slotted, 1.0 x 12.7 mm | 6 | | |
| APQS18-100V | Vertical, slotted, 2.5 x 12.7 mm | 6 | | |
| APQS18-DVHX2 | Kit with 2 of each aperture | 18 | | |
| APQ20-0.5 | Circular, 0.5 mm dia. | 2 |  | Q20 Opposed-mode |
| APQ20-1 | Circular, 1 mm dia. | 2 | | |
| APQ20-2 | Circular, 2 mm dia. | 2 | | |
| APQ20-0.5V | Vertical, slotted, 0.5 mm | 2 | | |
| APQ20-1V | Vertical, slotted, 1 mm | 2 | | |
| APQ20-2V | Vertical, slotted, 2 mm | 2 | | |
| APK-Q20 | Kit with 2 of each aperture | 12 | | |
| AP31-020 | Circular, 0.5 mm dia. | 20 |  | MINI-BEAM Opposed-mode |
| AP31-040 | Circular, 1.0 mm dia. | 20 | | |
| AP31-100 | Circular, 2.5 mm dia. | 20 | | |
| AP31-020H | Horizontal, slotted, 0.5 x 6.4 mm | 20 | | |
| AP31-040H | Horizontal, slotted, 1.0 x 6.4 mm | 20 | | |
| AP31-100H | Horizontal, slotted, 2.5 x 6.4 mm | 20 | | |
| AP31-200H | Horizontal, slotted, 5.1 x 6.4 mm | 20 | | |
| AP31-020V | Vertical, slotted, 0.5 x 12.7 mm | 20 | | |
| AP31-040V | Vertical, slotted, 1.0 x 12.7 mm | 20 | | |
| AP31-100V | Vertical, slotted, 2.5 x 12.7 mm | 20 | | |
| AP31-200V | Vertical, slotted, 5.1 x 12.7 mm | 20 | | |
| AP31-DVHX2 | Kit with 2 of each aperture | 22 | | |
| AP18SC* | Kit includes 3 round apertures of: 0.5, 1.0 & 2.5 mm dia. | 3 |  | S18 & M18 |
| AP18SR* | Kit includes 3 rectangular apertures of: 0.5, 1.0 & 2.5 mm dia. | 3 |  | S18 & M18 |
| AP18SCN* | Kit includes 3 round apertures of: 0.5, 1.0 & 2.5 mm dia. | 3 |  | T18 |
| AP18SRN* | Kit includes 3 rectangular apertures of: 0.5, 1.0 & 2.5 mm dia. | 3 |  | T18 |
| APG18S | Kit with glass lens to protect plastic sensor lens from chemical environments | 1 |  | S18, M18 & T18 |
| * Kits include Teflon® FEP® lens, o-ring and thread-on housing. | | | | |
| APG30S | Kit includes: a thread-on stainless steel housing, a flat glass lens, two quad-ring seals, and 3 round and 3 slotted aperture disks | 1 |  | SM30 |

* Teflon® is a registered trademark of Dupont®.



BRACKETS
CABLES
RETROREFLECTORS
ENCLOSURES/
LENS SHIELDS
MISCELLANEOUS


Apertures and Aperture Kits (cont'd)

| Model | Aperture Description | Units | Product | Used With |
|--------------|---|-------|--|----------------------|
| APQ12-5 | Circular, 0.5 mm dia. | 10 |  | Q12 Opposed-mode |
| APQ12-1 | Circular, 1.0 mm dia. | 10 | | |
| APQ12-1.5 | Circular, 1.5 mm dia. | 10 | | |
| APQ12-2 | Circular, 2.0 mm dia. | 10 | | |
| APQ12-5H | Horizontal, slotted, 0.5 mm dia. | 10 | | |
| APQ12-1H | Horizontal, slotted, 1.0 mm dia. | 10 | | |
| APQ12-.5V | Vertical, slotted, 0.5 mm dia. | 10 | | |
| APQ12-1V | Vertical, slotted, 1.0 mm dia. | 10 | | |
| APQ12-4S | Protective jacket, 4 mm square | 10 | | |
| APKQ12 | Kit containing 2 of each aperture | 18 | | |
| APVS2-0204 | Circular, 2 openings, 0.5 & 1.0 mm dia. | 2 |  | VS2 Opposed-mode |
| APVS2-0608 | Circular, 2 openings, 1.5 and 2.0 mm dia. | 2 | | |
| APVS2-02R | Horizontal (1) and vertical (1), slotted, 0.5 mm wide | 2 | | |
| APVS2-04R | Horizontal (1) and vertical (1), slotted, 1.0 mm wide | 2 | | |
| APVS4-0206 | Circular, 2 openings, 0.5 & 1.5 mm dia. | 2 |  | VS4 Opposed-mode |
| APVS4-0408 | Circular, 2 openings, 1.0 & 2.0 mm dia. | 2 | | |
| APQS30-040 | Circular, 1.0 mm dia. | 6 |  | QS30 Opposed-mode |
| APQS30-100 | Circular, 2.5 mm dia. | 6 | | |
| APQS30-200 | Circular, 5 mm dia. | 6 | | |
| APQS30-040H | Horizontal, slotted, 1 x 12 mm | 6 | | |
| APQS30-100H | Horizontal, slotted, 2.5 x 12 mm | 6 | | |
| APQS30-200H | Horizontal, slotted, 5 x 12 mm | 6 | | |
| APQS30-040V | Vertical, slotted, 1 x 17 mm | 6 | | |
| APQS30-100V | Vertical, slotted, 2.5 x 17 mm | 6 | | |
| APQS30-200V | Vertical, slotted, 5 x 17 mm | 6 | | |
| APQS30-DVHX2 | Kit with 2 of each aperture | 18 | | |

Ultrasonic Wave Guides

Guide attaches to 18 mm threaded barrel of ultrasonic sensors to focus ultrasonic sensing beam.



| Model | Size | Style | Product | Used With | Data Sheet |
|-----------|--------------------|--------|---|---------------|------------|
| UWG18-5.0 | 5.0 mm inside dia. | Barrel |  | QS18U S18U | 130153 |
| UWG18-6.4 | 6.4 mm inside dia. | Barrel | | | |

Replacement Lens Assemblies

Lens assemblies are field-replaceable. In addition, some lenses may be used to convert from one sensing mode to another, or to change the sensing range of a particular sensor. The possible conversions are listed in the table below.

| Model | Replacement Lens for | Possible Sensing Mode or Range Changes | Used With |
|-----------|-------------------------------------|--|-----------|
| UC-300AG | LVAG | Change LV to LVAG | MINI-BEAM |
| UC-300BZ | W and DBZ | Change D to DBZ and F to DBZ | |
| UC-300C.7 | C, CV and CVG | Change CV2 to CV | |
| UC-300C2 | C2 and CV2 | Change CV to CV2 | |
| UC-300E | E and R | — | |
| UC-300EL | EL and RL | Extend range of E/R | |
| UC-300EPD | EPD | — | |
| UC-300F | F and FV | Change D to F and DBZ to F | |
| UC-300FP | FP (old style) | — | |
| UC-300FP2 | FP | — | |
| UC-300L | LV and D | Change F to D, LVAG to LV and DBZ to D | |
| UC-300LP | LP | — | |
| UC-300RPD | RPD | — | |
| UC-45L | E, R, DL, DX and LV | N/A | Q45 |
| UC-45LL | LL | | |
| UC-45LLP | LLP | | |
| UC-45LP | LP | | |
| UC-45D | D | | |
| UC-45F | F and FV | | |
| UC-45FP | FP | | |
| UC-45C | CV | | |
| UC-45C4 | CV4 | | |
| OUC-C | CV, CVB and CVG | N/A | OMNI-BEAM |
| OUC-D | D | | |
| OUC-F | F, FAC, FV, FVB, FVG, FX, EF and RF | | |
| OUC-FP | FP, FPB and FPG | | |
| OUC-L | DX, LV, E and R | | |
| OUC-LAG | LVAG and LVAGC | | |
| UC-R55 | R58E | N/A | R58E |

BRACKETS
CABLES
RETROREFLECTORS
ENCLOSURES/
LENS SHIELDS
MISCELLANEOUS



Laser Alignment Tools

| Model | Description | Supply Voltage | Used With | Data Sheet |
|---|---|---|-------------------------------|------------|
| LAT-1 | <ul style="list-style-type: none"> • Simplifies the alignment of any opposed-mode sensor pair • Class 2 visible red laser beam • Aluminum housing with black anodized finish • Rated NEMA 1; IEC IP50 | 9V battery for 20 hours of continuous use | Opposed-mode sensors | 54599 |
| LAT-1-SS | | | EZ-ARRAY | |
| LAT-2 | <ul style="list-style-type: none"> • Allows for long distance alignment greater than 50 m • Clip-on attachment for sensor | — | LT7 | 120244 |
|  <p>LAT-2 shown with LT7</p> | | | | |
| LAT1812 | <ul style="list-style-type: none"> • Enables easy sensor alignment at long distances • Kit includes one SMB1812 bracket and M12 laser emitter (Class 2 visible red laser) • Clip-on attachment for 18 mm threaded barrel sensors | 10 to 30V dc | 18 mm threaded barrel sensors | — |
| LAT3012 | <ul style="list-style-type: none"> • Enables easy sensor alignment at long distances • Kit includes one SMB3012 bracket and M12 laser emitter (Class 2 visible red laser) • Clip-on attachment for 30 mm threaded barrel sensors | 10 to 30V dc | 30 mm threaded barrel sensors | — |

BEAM-TRACKER™ Alignment Tool

The BEAM-TRACKER is a low-cost, wireless, battery-operated, and completely self-contained photoelectric diagnostic sensor. It is a quick and simple way to evaluate photoelectric system performance. It receives light from all modulated photoelectric emitters and transmits light to receivers to check the system operation. It has a built-in frequency emitter that will be detected by any Banner photoelectric receiver, as well as by those of most other photoelectric manufacturers. It is a valuable tool for locating the center of the beam when installing long-range opposed-mode photoelectric sensor pairs and for locating sources of severe EMI and RFI noise.




| Model | Supply Voltage | Beam | Construction | Data Sheet |
|-------|---|-----------------|----------------|------------|
| BT-1 | 9V battery for 10 hours of continuous use | 70 kHz infrared | Cyclac® T case | 03490 |



BRACKETS
CABLES
RETROREFLECTORS
ENCLOSURES/
LENS SHIELDS
MISCELLANEOUS


Portable Demo Box

The Portable Demo Box is used to power dc self-contained photoelectric sensors for testing purposes. It is battery-powered and features bicolor LEDs which indicate sensor output status and output type (NPN or PNP). It is designed for a 4-pin Euro-style connector, but cable adapters are available to convert to Pico-style or Mini-style connectors. A 4-pin wiring barrier is mounted on the top of the box to allow connection of cabled dc sensors.

| Model | Supply Voltage | Cable Type | Cable Adapters | Data Sheet |
|---|----------------|------------|--|------------|
|  DBQ5 | 3 - 9V battery | 4-pin Euro | Euro-to-Pico p/n 39536 Euro-to-Mini p/n 39537 | — |


Test Power Supply

Test power supply is a 1 amp power supply used to power P4 sensors and lighting for proving an application without integration into a control panel.

| Model | Input | Input | Trigger Option | Used With | Data Sheet |
|--|-------------|-------------------------|---|--------------------|------------|
|  P4D1 | 100-240V ac | North America (AC plug) | <ul style="list-style-type: none"> • 24V dc NPN Sensor • Continuous pulse • Single pulse | P4 Vision Lighting | — |


Portable Programming Box

The handheld Portable Programming Box communicates with the M-GAGE™ and T-GAGE®, enabling you to remotely configure a sensor that is underground or otherwise inaccessible.

| Model | Supply Voltage | Optional 115V ac Adapter | Used With | Data Sheet |
|---|----------------|--------------------------|------------------|------------|
|  DPB1 | 2 - 9V battery | SP-DPB1 | M-GAGE T-GAGE | — |

A-GAGE® MINI-ARRAY® Series Power Supplies for Heated Enclosures




| Models | Used With | Primary | Secondary | Data Sheet |
|--|----------------------|----------------|-----------|------------|
|  BMHPS4 BMHPS5 BMHPS6 BMHPS14 BMHPS15 BMHPS16 | Two BMHE4 Enclosures | 105 to 130V ac | 23V ac | 56831 |
| | Two BMHE5 Enclosures | 105 to 130V ac | 27V ac | |
| | Two BMHE6 Enclosures | 105 to 130V ac | 35V ac | |
| | One BMHE4 Enclosure | 105 to 130V ac | 23V ac | |
| | One BMHE5 Enclosure | 105 to 130V ac | 27V ac | |
| | One BMHE6 Enclosure | 105 to 130V ac | 35V ac | |



Continuous Power Supplies

12 or 24V dc power supplies provide power to dc sensors and specialty lights.


| Model | Input | Input Cord | Outputs | Output Cable | Used With | Data Sheet |
|--|---|--------------------------------|--|--|---------------------------------|------------|
| PSDINA-24-4 (DIN-rail mountable) |  100-240V ac 50/60 Hz | — | 24V dc @ 4 A max. | — | dc Sensors Vision Lights | 134840 |
| PSA-12 | 100-250V ac 50/60 Hz | North America (NEMA 5-15) | 12V dc $\pm 5\%$ with voltage regulation of $\pm 1\%$ 3.5 A max. | 1.8 m Terminated with 9-pin D-sub connector (female pins) | Continuous LED Lights | 67445 |
| PSA-12E | | Cont. Europe (Schuko CEE 7) | | | | |
| PSA-24 | 100-250V ac 50/60 Hz | North America (NEMA 5-15) | 24V dc $\pm 5\%$ with voltage regulation of $\pm 1\%$ 2.2 A max. | 1.8 m Terminated with 9-pin D-sub connector (female pins) | Continuous LED Lights | 67447 |
| PSA-24E | | Cont. Europe (Schuko CEE 7) | | | | |
| PSC-24* | 115-250V ac 50/60 Hz (Auto Select) | North America (NEMA 5-15) | 24V dc $\pm 5\%$ with voltage regulation of $\pm 1\%$ 2.2 A max. | 1.8 m 2-wire Unterminated | SCM Strobe Control Module | 67446 |
| PSC-24E* | | Cont. Europe (Schuko CEE 7) | | | | |

* These products are not stocked and are non-returnable.

Lighting Variable Power Supplies*

Variable power supplies provide power to two separate Banner continuous LED lights.



| Model | Input | Input Cord | Outputs | Output Cable | Used With | Data Sheet |
|-----------------|--|--------------------------------|-------------------------|--|--------------------------|------------|
| PS2V-12 |  100-140V ac 60 Hz | North America (NEMA 5-15) | 2-channels 6-12V dc | 1.8 m Terminated with 9-pin D-sub connector (female pins) | Continuous LED Lights | 67449 |
| PS2V-12E | | Cont. Europe (Schuko CEE 7) | 2 A max. per channel | | | |

* These products are not stocked and are non-returnable.


Lighting Power Supply Extension Cables*

| Model | Length | Input Cord | Used With |
|---------------|--------|---|--------------------------|
| DB906 | 1.8 m | Cable powers one continuous light (one end male pins and one end female; both ends terminated with 9-pin D-sub connector) | Continuous LED Lights |
| DB910 | 3.0 m | | |
| DB9Y | 1.8 m | Cable powers two continuous lights with one supply (9 m trunk with male connector and 9 m branches with female connector; ends terminated with 9-pin D-sub connector) | Continuous LED Lights |
| DB906S | 1.8 m | Cable powers one strobed light (one end male pins and one end female; both ends terminated with 9-pin D-sub connector) | Strobed LED Lights |
| DB910S | 3.0 m | | |
| DB9YS | 1.8 m | Cable powers one strobed light (9 m trunk with male connector and 9 m branches with female connector; ends terminated with 9-pin D-sub connector) | Strobed LED Lights |

* These products are not stocked and are non-returnable.



USB Serial Adapter




| Model | Description | Power | Used With | Data Sheet |
|--------------------|--|-----------|-----------|------------|
| INTUSB485-1 |  For connection of 5-pin communication cable to computer USB port | USB Cable | EZ-ARRAY | 130144 |

BRACKETS
CABLES
RETROREFLECTORS
ENCLOSURES/
LENS SHIELDS
MISCELLANEOUS

Power Supplies and Interface Modules

The power supplies provide a low-cost interface between ac power supply and dc-operated sensors. They can source up to 100 milliamps. All models are available with integral TEACH push button and remote TEACH function. The interface module is a passive module that allows additional status indicators to be located in the user's control cabinet. It provides remote indication and TEACH capability.




| Model | | Description | Sensor Input | Input Supply | Sensor Supply | Data Sheet |
|----------|---|--|--------------|--------------|---------------|------------------------|
| PS24-1N |  | Power Supply e/m relay output, status lights, and TEACH button | NPN | 24V ac | 15V dc | 123566 |
| PS24-1P | | | PNP | | | |
| PS115-1N |  | | NPN | 115V ac | | |
| PS115-1P | | | PNP | | | |
| SIM-525T |  | Passive Interface Module Status lights and TEACH button | — | 10-30V dc | — | 123240 |

Sensor Interface Modules

Low-cost modules provide a dc powered interface for PresencePLUS® P4 vision sensors.




| Model | Input | Outputs | Connections | Used With | Data Sheet |
|----------|---|------------------------|---|-----------------|------------------------|
| PPSIM-NT |  | Current Sinking (NPN) | Two 13-pin Terminals | PresencePLUS P4 | 126330 |
| PPSIM-NC | | | One 13-pin Terminals One DB-15 Connector | | |
| PPSIM-PT | | Current Sourcing (PNP) | Two 13-pin Terminals | | 126330 |
| PPSIM-PC | | | One 13-pin Terminals One DB-15 Connector | | |

Light Interface Modules

Low-cost interface module allows strobe operation of Banner vision lighting with any vision sensor or system.



| Model | Input | Strobe Output | Used With | Data Sheet |
|-------|---|---------------|-----------------|---|
| PPLIM |  | 24V dc | 5V @ 10 mA max. | Vision lighting 128190 |

BRACKETS
CABLES
RETROREFLECTORS
ENCLOSURES/
LENS SHIELDS
MISCELLANEOUS



where in the world will you use wireless sensing?

sure cross
wireless network

Introducing SureCross™. The wireless network from the most reliable name in sensors. The first wireless platform built from the ground up to deliver robust remote monitoring and actuating capabilities. Now panoramic plant and process visibility is within reach, even if resources are not. Learn how. www.surecross.com

Sensing unplugged™.

BANNER
more sensors, more solutions

© 2007 Banner Engineering Corp., Minneapolis, MN

iKNOW®

PERFORMANCE
CURVES

HOOKUP
DIAGRAMS

GLOSSARY

INTERNATIONAL
REPS