

## Signal-Quick™ Sensor Mounting Accessories

### Cushioned Sensor Mounts

#### Sensor Mounts

Install tubular proximity sensors with a Cushioned Sensor Mount and protect against over-travel damage. Reduces replacement expenses and downtime.

Hubbell's Cushioned Sensor Mounts feature:

- Spring-loaded housing eliminates impact damage.
- Reduces downtime & replacement expenses.
- Reduces spare sensor inventories.
- Shielded & non-shielded end caps eliminate abrasion damage.
- Block style or threaded housing designs.
- Anodized aluminum or stainless steel.

When something out of the ordinary happens or targets over-travel, the sensor simply retracts to avoid damage. The sensor returns to its original position and the equipment continues to operate.

#### Specifications

|           |   |
|-----------|---|
| Material: | Anodized aluminum housing<br>Zinc-plated brass jam nuts<br>CSM12LP is all Stainless Steel |
|-----------|---|



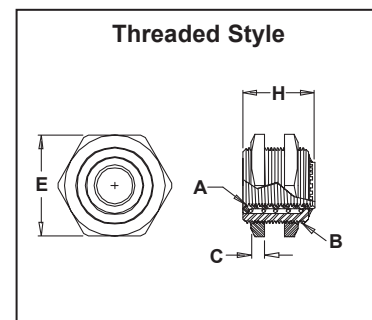
Threaded style



Block style

#### Threaded Style

| Catalog No. | A         | B         | C          | E           | H           |
|-------------|-----------|-----------|------------|-------------|-------------|
| CSM8        | M8 x 1    | M16 x 1.5 | 0.12 (3.1) | 0.87 (22.1) | 0.87 (22.1) |
| CSM12LP     | M12 x 1   | M18 x 1   | 0.16 (4.1) | 0.95 (24)   | 0.83 (21.1) |
| CSM18       | M18 x 1   | M30 x 1.5 | 0.20 (5.1) | 1.41 (35.8) | 1.17 (29.7) |
| CSM30       | M30 x 1.5 | M47 x 1.5 | 0.20 (5.1) | 2.01 (51)   | 1.47 (37.3) |



#### Block Style

| Catalog No. | A         | B           | C           | E           | H           | K           | L          | M          |
|-------------|-----------|-------------|-------------|-------------|-------------|-------------|------------|------------|
| BCSM8       | M8 x 1    | 0.75 (19)   | 0.37 (9.5)  | 0.62 (15.8) | 0.87 (22.1) | 0.72 (18.4) | 1.0 (25.4) | 0.14 (3.6) |
| BCSM12      | M12 x 1   | 0.75 (19)   | 0.37 (9.5)  | 1.0 (25.4)  | 0.87 (22.1) | 0.98 (24.8) | 1.5 (38.1) | 0.20 (5.2) |
| BCSM18      | M18 x 1   | 1.0 (25.4)  | 0.50 (12.7) | 1.25 (31.7) | 1.17 (29.7) | 1.21 (30.7) | 1.5 (38.1) | 0.18 (4.6) |
| BCSM30      | M30 x 1.5 | 1.38 (34.9) | 0.68 (17.5) | 2.0 (50.8)  | 1.47 (37.4) | 2.03 (51.5) | 2.5 (63.5) | 0.26 (6.7) |

