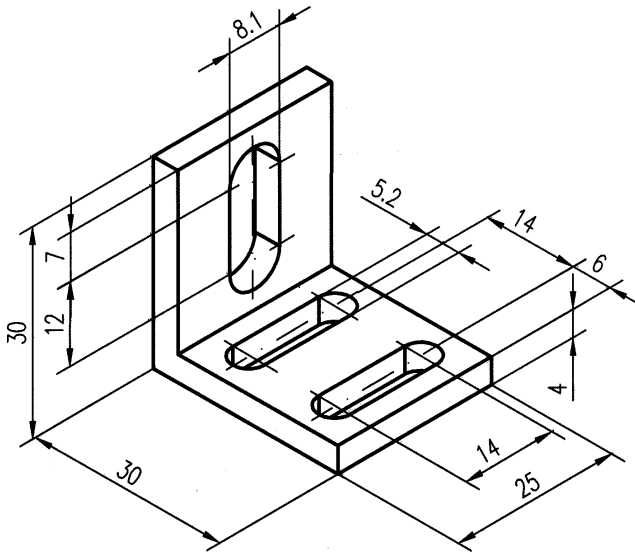


**Mounting Bracket**

25 x 30 x 30

**BES 08-HW-1**

**BAM009U**



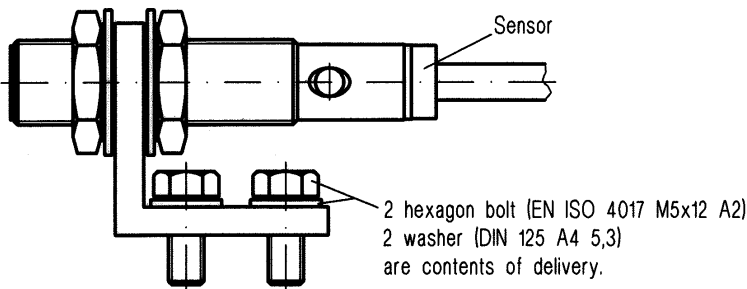
**Use**

The mounting bracket is used for securing sensors M8x1

**Data**

Material Aluminium

**Installation Example**



Definitions see general catalog



HOLCZM 07.04.2009 Modifications reserved Mod.-No.02.109919

Balluff GmbH, P.O. Box 1160, 73761 Neuhausen, Germany  
Phone: +49 7158 1730, Fax: +49 7158 5010