



# Miniature Pushbutton Switches

## Specifications:

Contact rating:	250 V AC, 3 A / 125 V AC, 6 A 30 V DC, 4 A / 12 V DC, 5 A 6 V DC, 6 A
Contact resistance:	< 10 mΩ
Insulation resistance:	> 1000 MΩ at 500 V DC
Dielectric strength:	1500 V, 50 Hz for the duration of 1 minute
Operating temperature:	- 20° to + 80° C
Mechanical life:	minimum 100 000 operations
Contacts:	coin silver (common contact copper alloy, silver-plated)
Terminals:	solder tags, copper alloy silver-plated further terminal versions see page 8
Material:	case: diallyle-phthalate meets UL 94 V-0, green metal parts: nickel-plated
Mounting:	bushing M 6 x 0,75 with locking, key 9 mm
Soldering conditions:	hand-soldering – max.: 60 W, 3 sec, 350° C auto-soldering – max.: 3 sec, 270° C

3

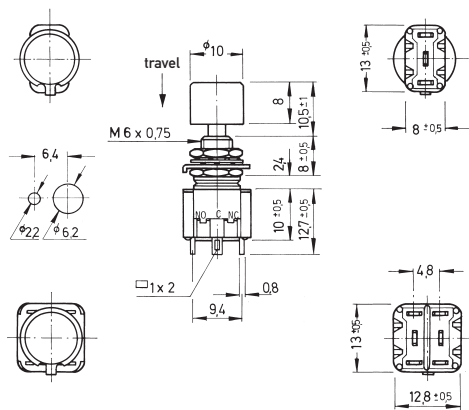
## Models: Switching functions

### S P D T

SPA 106 F travel 1,4	* on – mom
SPA 106 D travel 2,2	on – on

### D P D T

SPA 206 R travel 1,4	* on – mom
SPA 206 N travel 2,2	on – on



Accessories see page 36.

\* When looking at the brand name the normally closed contact is on the left-hand side.

# Miniature Pushbutton Switches



## Specifications:

Contact rating:	250 V AC, 3 A / 125 V AC, 6 A 30 V DC, 4 A / 12 V DC, 5 A 6 V DC, 6 A
Contact resistance:	< 10 mΩ
Insulation resistance:	> 1000 MΩ at 500 V DC
Dielectric strength:	1500 V, 50 Hz for the duration of 1 minute
Operating temperature:	- 45° to + 140° C
Mechanical life:	minimum 30000 operations
Contacts:	coin silver (common contact copper alloy, silver-plated) also available gold-plated, version B and G (see page 4)
Terminals:	solder tags, copper alloy silver-plated further terminal versions see page 8
Material:	case: diallyl-phthalate meets UL 94 V-0, black metal parts: nickel-plated
Mounting:	bushing M 6 x 0,75 with locking plate, key 9 mm
Soldering conditions:	hand-soldering – max.: 60 W, 3 sec, 420° C auto-soldering – max.: 5 sec, 270° C

3

## Accessories\* :

Buttons	∅ (height 8 mm)		∅ (height 10 mm)	
	∅	Part No.	∅	Part No.
orange	10 mm	KM 403	15 mm	KM 603
blue	10 mm	KM 404	15 mm	KM 604
black	10 mm	KM 405	15 mm	KM 605
green	10 mm	KM 406	15 mm	KM 606
grey	10 mm	KM 407	15 mm	KM 607
yellow	10 mm	KM 408	15 mm	KM 608
red	10 mm	KM 409	15 mm	KM 609
white	10 mm	KM 410	15 mm	KM 610



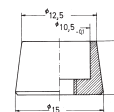
## Knurled nut, chromium-plated

M 6 x 0,75	8 mm	R 675
------------	------	-------



## Covers

M 6 x 0,75	
Brass chromium-plated	CO 106
Brass black, matt finish	CO 106 S



\* Unless otherwise specified, switches are delivered with button KM 405.



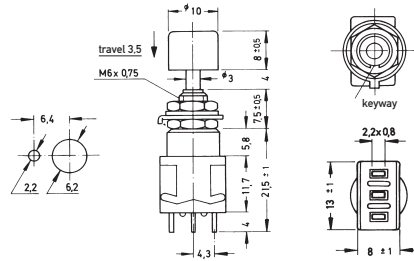
# Miniature Pushbutton Switches

**Models:** Switching functions

**S P D T**

MPA 106 F  
MPA 106 D

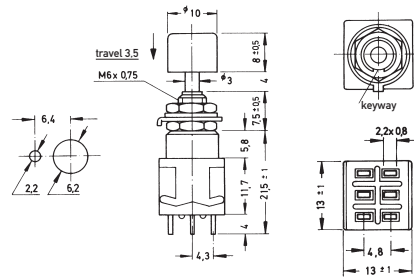
\* on - mom  
on - on



**D P D T**

MPA 206 R  
MPA 206 N

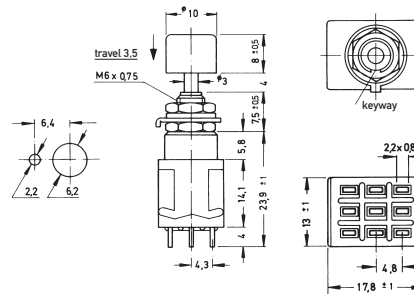
\* on - mom  
on - on



**3 P D T**

MPA 306 F  
MPA 306 D

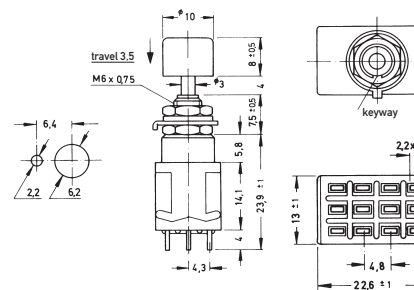
\* on - mom  
on - on



**4 P D T**

MPA 406 R  
MPA 406 N

\* on - mom  
on - on



**3**

\* When looking at the brand name the normally closed contact is on the right-hand side.