

RMQ Titan

Technical Data

			Contact elements	LED elements	Push-button actuators	Double actuators	Selector switch actuators
					Mushroom actuators		Illuminated selector switch actuators
General technical data							
Standards			IEC/EN 60 947, VDE 0660				
Lifespan, mechanical	Operations	$\times 10^6$	5	–	5	0.2	0.1
Maximum operating frequency		Ops/h	3600	–	3600	3600	2000
Operating force		N	≤ 5	–	≤ 5	≤ 5	–
Operating torque		Nm	–	–	–	–	$\leq 0,3$
Degree of protection to IEC/EN 60 529			IP20	IP20	IP66	IP65	IP66
Climatic proofing			Damp heat, constant, to IEC 60 068-2-3 Damp heat, cyclical, to IEC 60 068-2-30				
Ambient temperature							
	Min./Max.	°C	–25/+70	–25/+70 ¹⁾	–25/+70	–25/+70	–25/+70
Mounting position			As required	As required	As required	As required	As required
Mechanical shock resistance to IEC 60 068-2-27 (half-sinusoidal shock, duration 11 ms)			g	> 30	> 30	> 30	> 30
Terminal capacity							
Solid	Min./Max.	mm ²	0.75/2.5	0.75/2.5	–	–	–
Stranded	Min./Max.	mm ²	0.5/1.5	0.5/1.5	–	–	–
Dimensions			→ Page 02/074	–	→ Page 02/073	→ Page 02/073	→ Page 02/073
Contacts							
Rated impulse withstand voltage U_{imp}			V	6000	6000	–	–
Rated insulation voltage U_i			V	500	500	–	–
Overvoltage category/ pollution degree				III/3	III/3	–	–
Control circuit reliability at							
24 V DC/5 mA	Fault probability H_F		< 10^{-7} , < 1 fault in 10^7 operations				
5 V DC/1 mA	Fault probability H_F		< 5×10^{-6} , < 1 fault in 5×10^6 operations				
Maximum short-circuit protective device							
Fuseless			Type	PKZM0–10/ FAZ-B6	–	–	–
Fuse			A gG/gL	10	–	–	–
Switching capacity							
Rated operational current I_e							
AC-15							
115 V		A	6	–	–	–	–
230 V		A	6	–	–	–	–
400 V		A	4	–	–	–	–
500 V		A	2	–	–	–	–
DC-13							
24 V		A	3	–	–	–	–
42 V		A	1,7	–	–	–	–
60 V		A	1.2	–	–	–	–
110 V		A	0.8	–	–	–	–
220 V		A	0.3	–	–	–	–
Lifespan, electrical							
AC-15							
230 V/0.5 A	Operations	$\times 10^6$	1.6	–	–	–	–
230 V/1.0 A	Operations	$\times 10^6$	1.0	–	–	–	–
230 V/3.0 A	Operations	$\times 10^6$	0.7	–	–	–	–
DC-13							
12 V/2.8 A	Operations	$\times 10^6$	1.2	–	–	–	–

Notes
¹⁾ > 200 V AC/60 Hz: –25/+55 °C

RMQ Titan

Technical Data

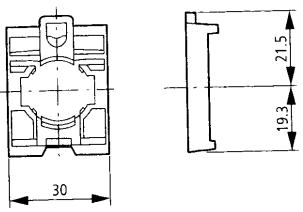
			Key-operated actuators	Indicator lights	Illuminated push-button actuators Push-button actuators Mushroom actuators	Emergency-Stop actuators
			Stay-put			
General technical data						
Standards			IEC/EN 60 947, VDE 0660			
Lifespan, mechanical	Operations	× 10 ⁶	0.1	–	1	0.1
Maximum operating frequency		Ops/h	100	–	1800	600
Operating force		N	–	–	≤ 5	≤ 50
Operating torque		Nm	≤ 0,5	–	–	–
Degree of protection to IEC/EN 60 529			IP66	IP66	IP66	IP66
Climatic proofing			Damp heat, constant, to IEC 60 068-2-3 Damp heat, cyclical, to IEC 60 068-2-30			
Ambient temperature	Min./Max.	°C	–25/+70	–25/+70	–25/+70	–25/+70
Mounting position			As required	As required	As required	As required
Mechanical shock resistance to IEC 60 068-2-27 (half-sinusoidal shock, duration 11 ms)		g	> 30	> 30	> 30	> 50
Dimensions			→ Page 02/073	→ Page 02/073	→ Page 02/073	→ Page 02/073

RMQ Titan Dimensions

Front fixing (style: flush mounting)

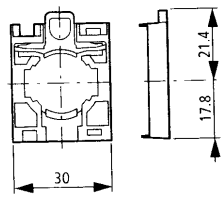
Fixing adapter

M22-A

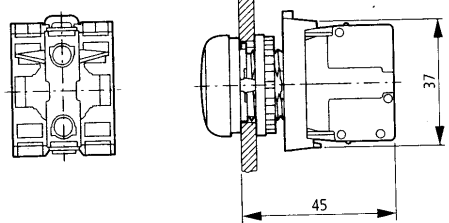


Centring adapter

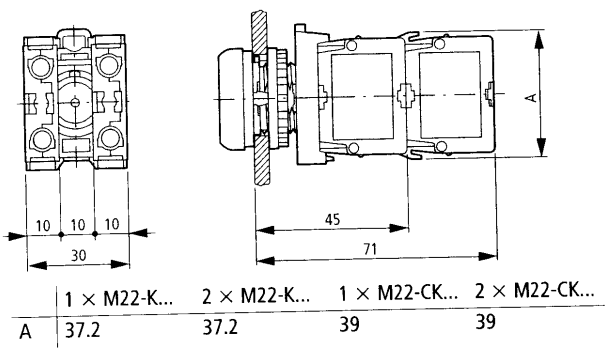
M22-ZA



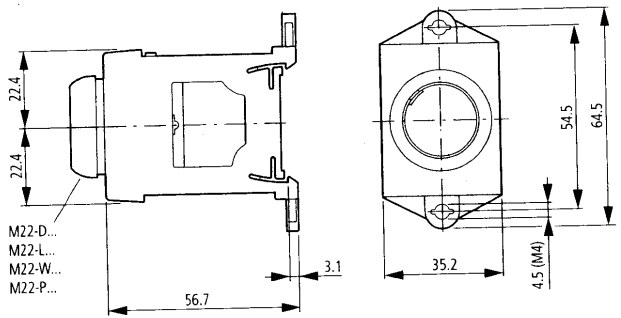
Indicator lights/illuminated push-buttons



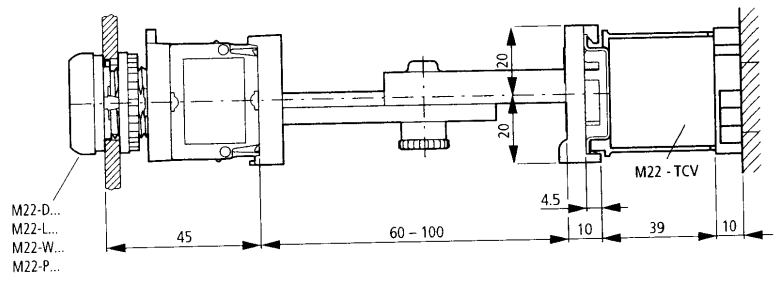
Push-button with M22-(C)K...



IVS top-hat rail adapter



Button, illuminated push-button, indicator light With telescopic clip



Foot and palm switches

FAK...

